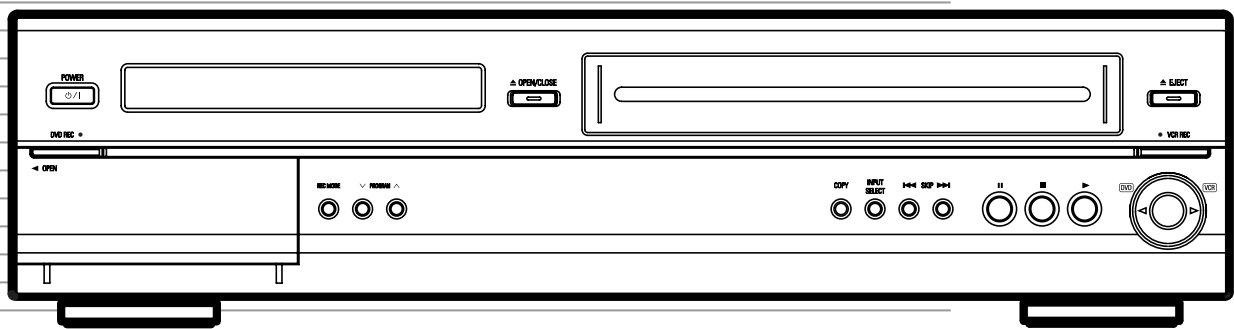


SERVICE MANUAL

DVD RW/VCR-RECORDER



CONTENTS

Specifications -----	2
Disassembly -----	6
Principal Parts Location -----	7
Troubleshooting -----	8
Electrical Parts List -----	11
IC Internal Diagrams -----	58
IC and Transistor Voltage Chart -----	90
VCR Mechanism -----	98
Adjustment Method -----	103
Exploded View -----	106
Block Diagram -----	110
Wiring Diagram -----	112
Schematic Diagrams -----	114
Printed Circuit Boards -----	132

SPECIFICATIONS

DVD Audio Section

Single-Noise (1 KHz)	≥ 90dB
Channel Separation (1 KHz)	≥ 85dB
Total Harmonic Distortion	≤ 0.1%

TV TUNER Section

Audio Output Level (Mono)	100.25MHz	550mV
T.H.D (Mono)	100.25MHz	0.2%
Composite Output Level	100.25MHz	1V(p-p)

DVD VIDEO Section (MDVD-111)

Composite	CVBS Level	1V(p-p)
S-Video	Y Level	1V(p-p)
	C Level	286mV(p-p)
	R Level	700mV(p-p)
RGB	G Level	700mV(p-p)
	B Level	700mV(p-p)
	Component	Y Level
	Pb Level	700mV(p-p)
	Pr Level	700mV(p-p)

DVD +RW Playability Section

Eccentric	TDV-PW 512CW	±100 μ m
Vertical Deviation(skew)	TDV-PW 532CW	0.6mm(p-p)
Scratch	TDV-PW 521CW	1mm

DVD -RW Playability Section

Eccentric	TDV-MW 512CW	±140 μ m
Vertical Deviation(skew)	TDV-MW 532CW	0.6mm(p-p)
Scratch	TDV-MW 521CW	0.7mm

DVD +RW/-RW Recording Playability Section

Composite	CVBS Level	1V(p-p)
S-Video	Y Level	1V(p-p)
	C Level	286mV(p-p)
	R Level	700mV(p-p)
RGB	G Level	700mV(p-p)
	B Level	700mV(p-p)
	Scart	CVBS Level
Composite	Y Level	1V(p-p)
	Pb Level	700mV(p-p)
	Pr Level	700mV(p-p)

VCR Audio Section [Hi-Fi]

Output Level	
Audio-8dBm (E.E)	-8±2dBm
Distortion(T.H.D)	
Audio-8dBm (SP)	↓ 1.5 %
Audio-8dBm (LP/SLP)	↓ 2 %
S/N Ration	
Audio-8dBm (E.E)	↑ 52%
Audio-8dBm (SP)	↑ 50%
Audio-8dBm (LP/SLP)	↑ 50%

VCR Video Section

E.E Video Level	1.0±0.2V
SRP SYNC Level	0.3±0.03V
SRP BURST Level	0.3±0.03V
SRP Video Level	1.0±0.2V

GENERAL

Power Consumption	45W
Weight (Main unit)	6.8Kg
Dimension (W x H x D)	430 x 109.3 x 410.4mm

NOTE : Design and specifications are subject to change and improvement without notice

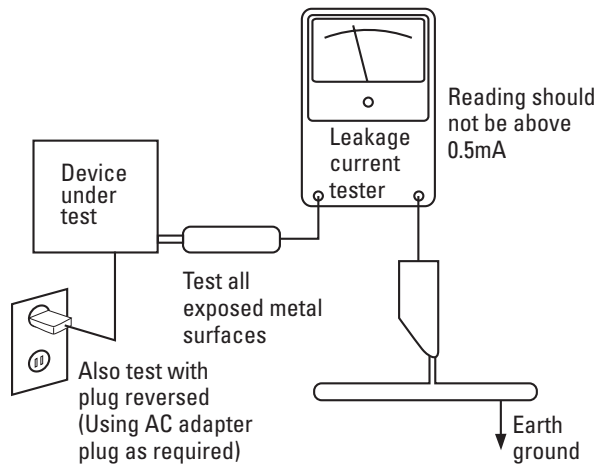
SAFETY PRECAUTIONS

The following check should be performed for the continued protection of the customer and service technician.

LEAKAGE CURRENT CHECK

Measure leakage current to a known earth ground (water pipe, conduit, etc.) by connecting a leakage current tester between the earth ground and all exposed metal parts of the appliance (input/output terminals, screwheads, metal overlays, control shaft, etc.). Plug the AC line cord of the appliance directly into a 120V AC 60Hz outlet and turn the AC power switch on. Any current measured must not exceed 0.5mA.

ANY MEASUREMENTS NOT WITHIN THE LIMITS OUTLINED ABOVE ARE INDICATIVE OF A POTENTIAL SHOCK HAZARD AND MUST BE CORRECTED BEFORE RETURNING THE APPLIANCE TO THE CUSTOMER.

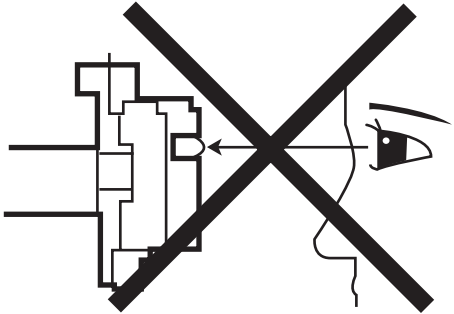


AC Leakage Test

LASER BEAM SAFETY PRECAUTIONS

CLASS 1 LASER PRODUCT

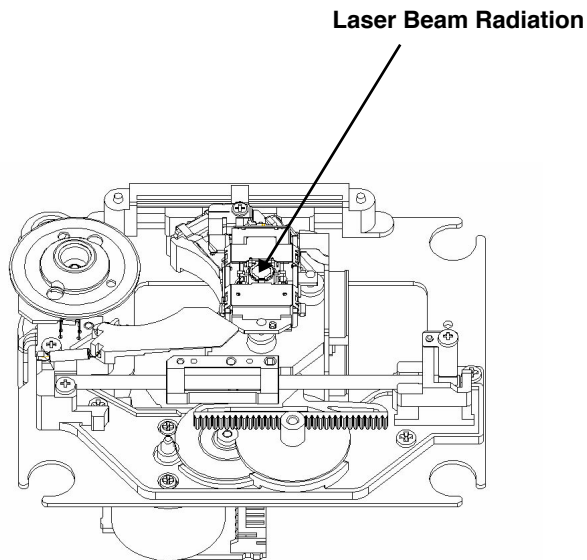
DANGER
INVISIBLE LASER RADIATION
AVOID DIRECT EXPOSURE TO BEAM



Do not look directly at the laser beam coming from the pickup or allow it to strike against your skin.

This Receiver uses a pickup that emits a laser beam.

The laser beam is emitted from the location shown in the figure. When checking the laser diode, be sure to keep your eyes at least 1 foot away from the pickup lens when the diode is turned on. Do not look directly at the laser beam.



Caution: Use of controls and adjustments, or doing procedures other than those specified herein, may result in hazardous radiation exposure.

HANDLING LASER PICKUP

The laser diode in the optical system of this receiver can be damaged by electrostatic discharge from clothes, body, etc. Proper electrostatic grounding for service personnel is required during servicing.

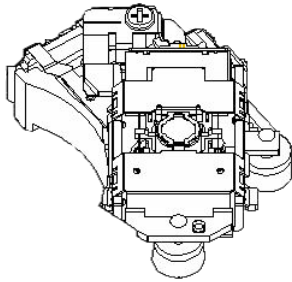
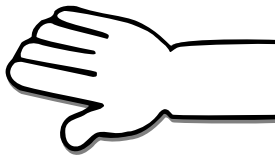
BEFORE REPAIRING THE DVD MECHANISM

a. Human Body Grounding:

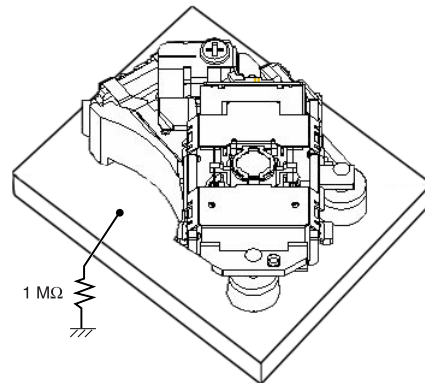
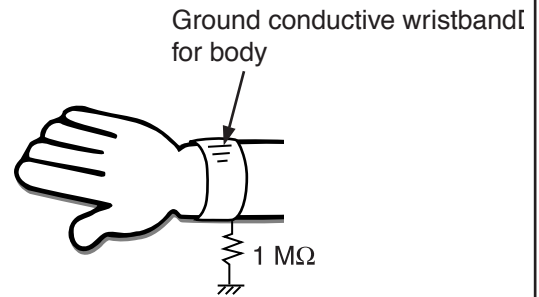
Many of the components used in this compact disc player, including the laser pickup, are sensitive to electrostatic discharge.

Service personnel should be grounded with an electrostatic armband (1M ohm).

INCORRECT



CORRECT



Caution: Static charge on clothing does not escape through a body grounding wristband. Be careful not to contact the pickup or electrical components with your clothing.

b. Workbench and Tool Grounding:

A properly-grounded electroconductive plate (1 M ohm) or metal sheet should be fitted to the workbench surface.

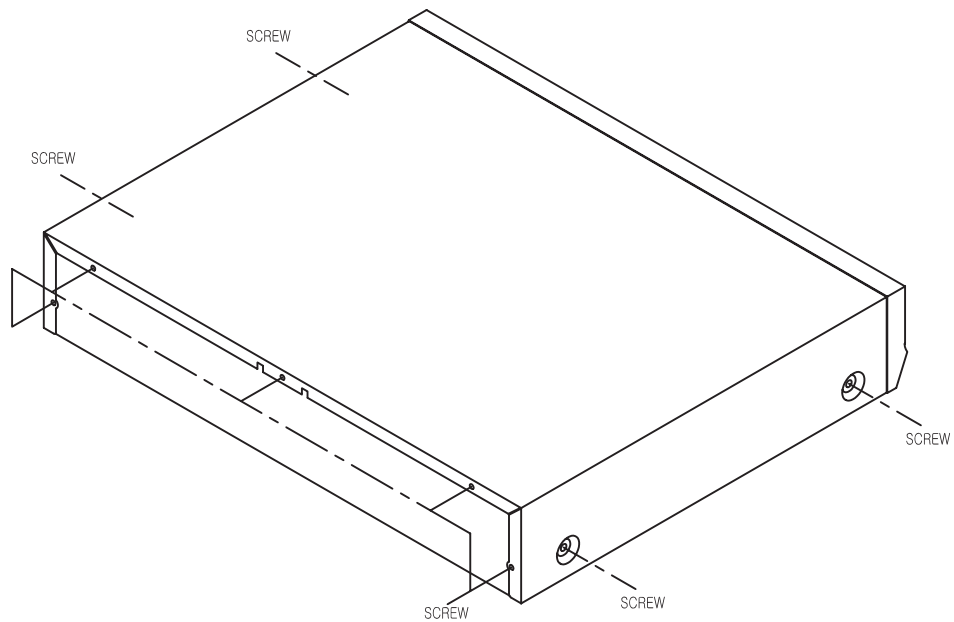
Tools and instruments (soldering irons, scopes, etc.) should be grounded to prevent AC leakage.

c. Make two standard ESD solder bridges on the Laser optic PC Board

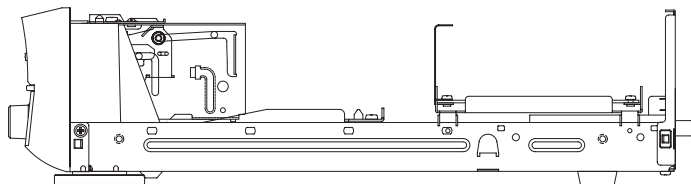
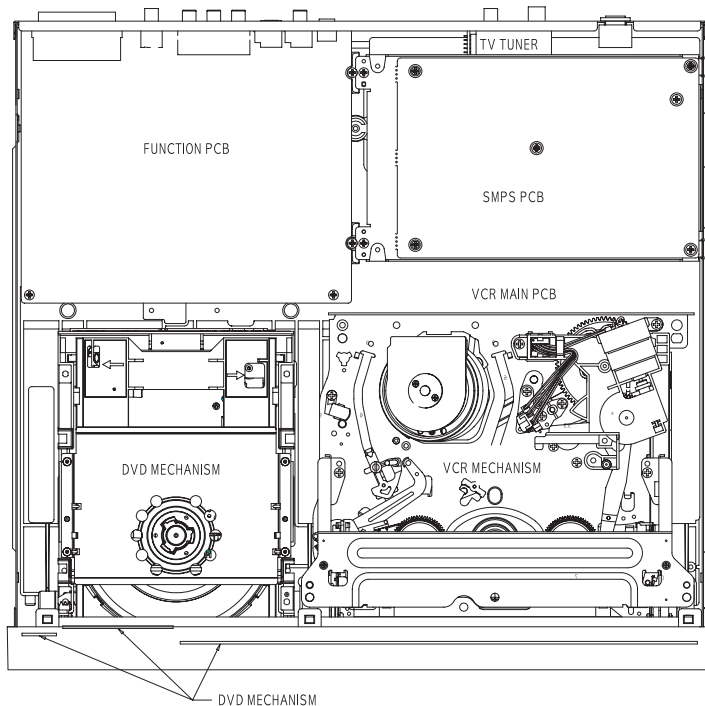
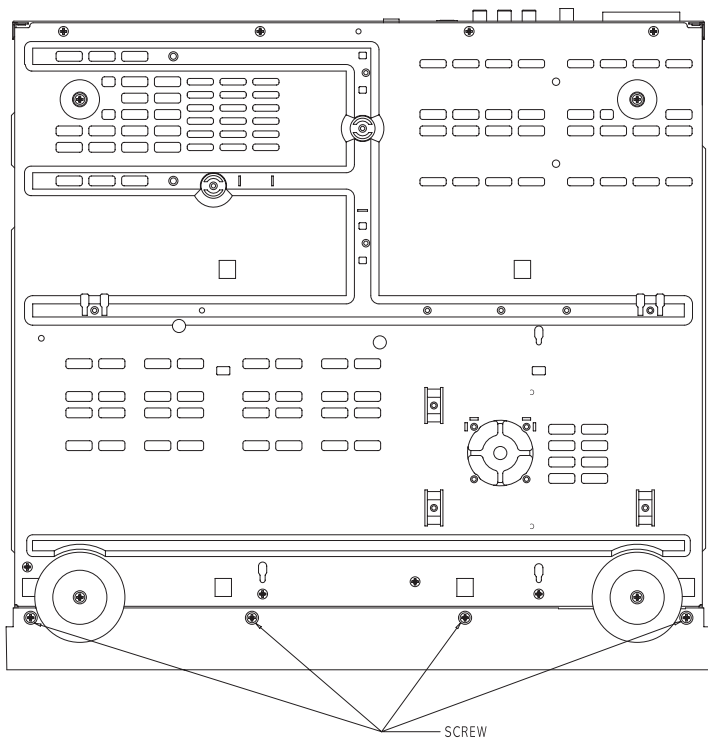
Before disassembly of mechanism or disconnect any cables in it, make two standard ESD solder bridges on the laser optic PC Board.

DISASSEMBLY

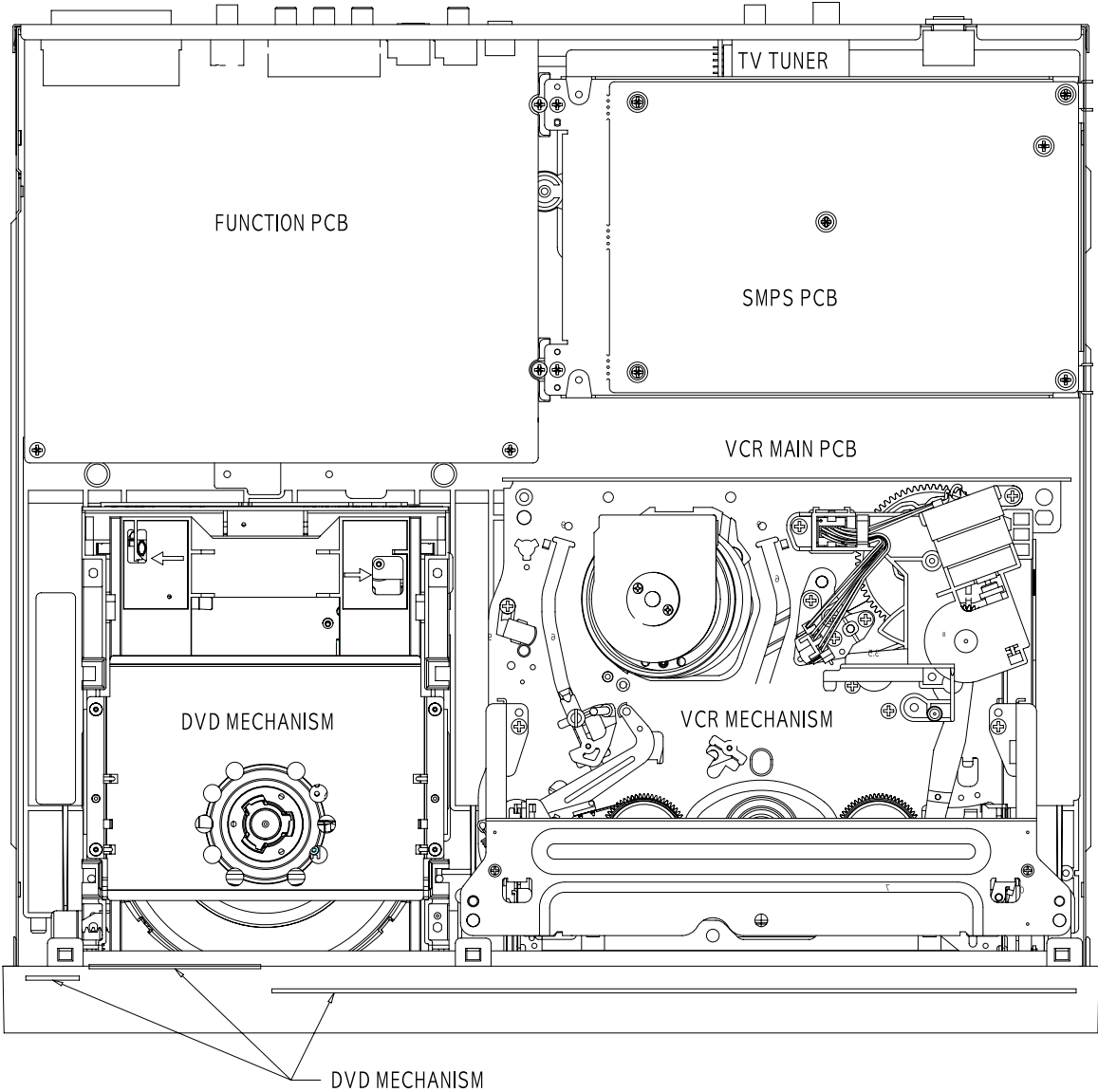
1) REMOVAL OF TOP COVER



2) REMOVAL OF FRONT PANEL



PRINCIPAL PARTS LOCATION



TROUBLESHOOTING

Symptom	Cause	Remedy
No power.	The power cord is disconnected.	Plug the power cord into the wall outlet securely.
The power is on, but the DVD player does not work.	No disc is inserted.	Insert a disc.(Check that the DVD or audio CD indicator in the DVD display is lit.)
No picture.	The TV is not set to receive DVD signal output.	Select the appropriate video input mode on the TV so the picture from the DVD player appears on the TV screen.
	The video cable is not connected securely.	Connect the video cable into jacks securely.
	The connected TV power is turned off.	Turn on the TV
	P-SCAN is selected	Check the front display. If P-SCAN segment is on, press "P-SCAN" key of remote control unit.
The playback picture is poor.	The disc is dirty.	Clean the disc.
The DVD/VCR player does not start playback.	No disc is inserted.	Insert a disc.(Check that the DVD or CD indicator in the display is lit.)
	The DVD/VCR player cannot read the disc because it is damaged or an incorrect type (for example, a CD-I)	Check the a disc type, color system and regional code. Check for any scratches or smudge on the disc. Insert a readable disc.
	The disc is placed upside down.	Place the disc with the playback side down.
	The disc is not placed within the guide.	Place the disc on the disc tray correctly inside the guide.
	The disc is dirty.	Clean the disc.
	A menu is on the TV screen.	Press SETUP to turn off the manu screen
	The rating level is set.	Cancel the rating function or change the rating level.
The remote control does not work properly.	The remote control is not pointed at the remote sensor of the unit.	Point the remote control at the remote sensor of the unit.
	The remote control is too far from the unit.	Operate the remote control within about 23 feet(7m).
	There is an obstacle in the path of the remote control and the DVD player.	Remove the obstacle.
	The remote's batteries are exhausted.	Replace the batteries with new ones.
	Other function is selected.	Press the function key what you want to operate. DVD/VCR
Recording does not work properly.	The disc is not writable DVD DISC.	Remove the disc and insert a proper writable DVD DISC.
	The disc is CD-R/RW.	Only DVD+R/+RW/-R/-RW DISC can be recorded. Remove the disc and insert a proper writable DVD DISC.
	The disc is full.	Remove the disc and insert a proper writable DVD DISC.
	The disc is dirty.	Clean the disc and insert a blank writable DVD DISC.
	The disc is a suitable DISC to record.	Use the recommended DISC for better operations.
	The disc is finalized.	Unfinalize the DISC and then record in the DISC.

Symptom	Cause	Remedy
Recording does not work properly.	The disc is not writable DVD DISC.	Remove the disc and insert a proper writable DVD DISC.
	The disc is CD-R/RW.	Only DVD+R/+RW/-R/-RW DISC can be recorded. Remove the disc and insert a proper writable DVD DISC.
	The disc is full.	Remove the disc and insert a proper writable DVD DISC.
	The disc is dirty.	Clean the disc and insert a blank writable DVD DISC.
	The disc is a suitable DISC to record.	Use the recommended DISC for better operations.
	The disc is finalized.	Unfinalize the DISC and then record in the DISC.
The DVD/VCR does not respond when the buttons are pressed.	Static electricity caused by dry air.	Disconnect the power plug from the outlet, and insert again.
No sound is output when a function is selected.	Improper connections.	Make sure the component is connected correctly.
No image is output when a function is selected.	Improper connections.	Make sure the component is connected correctly.
	The input source is not properly selected.	Press the correct function button.
Broadcast stations cannot be selected automatically.	The signals are weak.	Connect an outdoor antenna.
The display is dark.	The sleep timer is on.	Press SLEEP again

■ TEST MODE

TEST Mode shows the information as follows.

- I. Back End Version (It is to express each Buyer, each model, and version number.)
- II. Front End Version (It is to display the Mecha Firmware version number.)
- III. Back End Build time (It can be used to separate each B/E firmware version by the day.)
- IV. Region No.(It is only to display region code.)

[operation]

To enter the first state of test mode, first insert a any DVD DISC and load the DISC.
Then press "STOP" key and the front panel displays "STOP".

then, press key on the remote unit as follows.
[CLEAR] - [2] - [5] - [8] - [0] - [CLEAR]

If you press key correctly, you will see the message below.

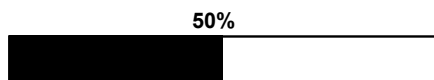
Loader FW ver: X.CA05 - (I : F/E version)
Client ver: 0912PT-MODEL NO. - (II : B/E version)
Current Region: < X > - (III : Region Number)

<B/E Firmware update>

The update is done with CD-R. (When the firmware is changed, the updated firmware will be provided by Anam on CD-R)

Put the DISC in TRAY and load the CD-R disc, and Dialogue message to confirm B/E firmware update will be displayed on the TV screen.
Updating will begin.

You'll see the update progress on the TV screen.



When the TV screen's display goes off, turn the POWER OFF.
Turn the POWER ON and then DO EEPROM CLEAR.

<F/E Firmware update>

The update is done with CD-R. (When the firmware is changed, the updated firmware will be provided by Anam on CD-R)

- Put the disc on TRAY at normal operation mode.
- Load the DISC and Dialogue message to confirm F/E firmware update will be displayed on the TV screen .
- After about several seconds, DVD door will be open.
- Turn the power off.
- Turn the power on and open DISC
- Remove the disc.

Note: F/E update method has another method. It is that you can update using computer connections.

In this case, you must confirm the F/E firmware version and use a certain provided file

that is able to executive file in computer with EXE extension..

RESISTORS AND CAPACITORS

Notes.

* Circuit No's first character indicates kinds of part type.

C : Capacitors
 R : Resistors
 D : Diode
 J : Jumper
 L : Coil
 Q : Transistors
 S : Switch
 BK : Bracket
 JK : Jack
 IC : Integrated Circuit
 X : Crystal
 BD : Bead

IMPORTANT SAFETY NOTICE

- * Components identified by ! Mark have special characteristics important for safety.
- * When replacing any of these components, use only manufacture's specified parts.
- * The unit of resistance is OHM (Ω)
 $K=1000(\Omega)$, $M=1000(K\Omega)$
- * The unit of capacitance is MICROFARAD (μF)
 $P=10^{-6} \mu F$

Numbering System of Resistor Example

CRD 25 F J 101
 Type Wattage Shape Tolerance Value

Numbering System of Capacitor Example

HCKR 1H 101 K B
 Type Voltage Value Tolerance Pecularity

Resistor Type	Wattage	Tolerance
K(C/H)RD : Carbon	20 : 1/5W	F : 1%
K(C/H)RG : Metal Oxide	25 : 1/4W	J : 5%
	50 : 1/2W	K : 10%
	1 : 1W	
K(C/H)RG : Metal Cement	2 : 2W	
	3 : 3W	
	10 : 1/10W	
K(H)RJ : Carbon. CHIP	14 : 1/4W	

Capacitor Type	Voltage		Tolerance
	HCEA Type	Other	
HCB : Ceramic	0J : 6.3V	1H : 50V DC	C : 0.25pF
CCC : Ceramic	1A : 10V	1 : 125V DC	G : 2%
CCK : Ceramic	1C : 16V	KC : 400V AC	J : 5%
HCQI : Polyester	1E : 25V		K : 10%
HCQP : Polypropylene	1H : 50V		Z : +80%, -20%
HCQS : Polystyrol	1V : 35V		
HCUS : Ceramic			
HCEA : ELECT			
HCEA : ELECT.CHIP			

■ DVD PART

SEQ.	PART NO.	DESCRIPTION	SPECIFICATION	REMARKS
	CIP11741B	FRONT PCB AUTO ASS'Y	QRW-6500	
	CUP11741Z	PCB , FRONT	QRW-6500	
C501	HCBS1H103ZFT	CAP , CERAMIC	0.01UF 50V Z	
C502	CCEA1CKS470T	CAP, ELECT 47UF/16V/5MM HEIGHT	00107-1051	
C503	CCEA1CKS101T	CAP , ELECT		
C504	HCBS1H103ZFT	CAP , CERAMIC	0.01UF 50V Z	
C505	HCBS1H103ZFT	CAP , CERAMIC	0.01UF 50V Z	
C506	CCEA1HKS4R7T	CAP , ELECT		
C507	HCBS1H103ZFT	CAP , CERAMIC	0.01UF 50V Z	
C508	HCBS1H220JCT	CAP , CERAMIC	22PF 50V J	
C509	HCBS1H103ZFT	CAP , CERAMIC	0.01UF 50V Z	
C510	HCBS1H221KBT	CAP , CERAMIC	220PF 50V K	
C511	HCBS1H220JCT	CAP , CERAMIC	22PF 50V J	
C512	HCBS1H103ZFT	CAP , CERAMIC	0.01UF 50V Z	
C513	HCBS1H221KBT	CAP , CERAMIC	220PF 50V K	
C514	HCBS1H103ZFT	CAP , CERAMIC	0.01UF 50V Z	
C516	HCBS1H471KBT	CAP , CERAMIC		
C517	CCEA1CKS100T	CAP , ELECT		
C519	CCEA1CKS100T	CAP , ELECT		
C520	HCBS1H471KBT	CAP , CERAMIC		
C521	HCBS1H220JCT	CAP , CERAMIC	22PF 50V J	
C523	HCBS1H470KBT	CAP , CERAMIC	47PF 50V K	
C524	HCBS1H122KBT	CAP , CERAMIC		
C531	HCBS1H103ZFT	CAP , CERAMIC	0.01UF 50V Z	
C532	HCBS1H103ZFT	CAP , CERAMIC	0.01UF 50V Z	
C533	HCBS1H103ZFT	CAP , CERAMIC	0.01UF 50V Z	
C534	HCBS1H103ZFT	CAP , CERAMIC	0.01UF 50V Z	
D501	HVD1SS133MT	DIODE	1SS133T-77	
D502	HVD1SS133MT	DIODE	1SS133T-77	
D503	HVD1SS133MT	DIODE	1SS133T-77	
D504	HVD1SS133MT	DIODE	1SS133T-77	
D505	HVD1SS133MT	DIODE	1SS133T-77	
D506	HVD1SS133MT	DIODE	1SS133T-77	
D507	HVD1SS133MT	DIODE	1SS133T-77	
D508	HVD1SS133MT	DIODE	1SS133T-77	
D509	HVD1SS133MT	DIODE	1SS133T-77	
D510	HVD1SS133MT	DIODE	1SS133T-77	
J501	C3A206	WIRE , COPPER	SN95/PB5 , 0.6	
J502	C3A206	WIRE , COPPER	SN95/PB5 , 0.6	
J503	C3A206	WIRE , COPPER	SN95/PB5 , 0.6	
J504	C3A206	WIRE , COPPER	SN95/PB5 , 0.6	
J505	C3A206	WIRE , COPPER	SN95/PB5 , 0.6	
J506	C3A206	WIRE , COPPER	SN95/PB5 , 0.6	
J507	C3A206	WIRE , COPPER	SN95/PB5 , 0.6	
J508	C3A206	WIRE , COPPER	SN95/PB5 , 0.6	
J509	C3A206	WIRE , COPPER	SN95/PB5 , 0.6	
J512	C3A206	WIRE , COPPER	SN95/PB5 , 0.6	
J514	C3A206	WIRE , COPPER	SN95/PB5 , 0.6	
J515	C3A206	WIRE , COPPER	SN95/PB5 , 0.6	
J516	C3A206	WIRE , COPPER	SN95/PB5 , 0.6	
J517	C3A206	WIRE , COPPER	SN95/PB5 , 0.6	
J518	C3A206	WIRE , COPPER	SN95/PB5 , 0.6	
J519	C3A206	WIRE , COPPER	SN95/PB5 , 0.6	
J522	C3A206	WIRE , COPPER	SN95/PB5 , 0.6	

SEQ.	PART NO.	DESCRIPTION	SPECIFICATION	REMARKS
J523	C3A206	WIRE , COPPER	SN95/PB5 , 0.6	
J526	C3A206	WIRE , COPPER	SN95/PB5 , 0.6	
L501	HLQ02C100KT	COIL , AXIAL		
L527	HLQ02C4R7KT	COIL , AXIAL	4.7UH K	
R501	CRD20TJ272T	RES , CARBON	2.7K OHM 1/5W J	
R502	CRD20TJ182T	RES , CARBON	1.8K OHM 1/5W J	
R503	CRD20TJ100T	RES , CARBON	10 OHM 1/5W J	
R504	CRD20TJ102T	RES , CARBON	1K OHM 1/5W J	
R506	CRD20TJ102T	RES , CARBON	1K OHM 1/5W J	
R507	CRD20TJ152T	RES , CARBON	1.5K OHM 1/5W J	
R508	CRD20TJ562T	RES , CARBON	5.6K OHM 1/5W J	
R509	CRD20TJ102T	RES , CARBON	1K OHM 1/5W J	
R510	CRD20TJ152T	RES , CARBON	1.5K OHM 1/5W J	
R511	CRD20TJ182T	RES , CARBON	1.8K OHM 1/5W J	
R512	CRD20TJ272T	RES , CARBON	2.7K OHM 1/5W J	
R513	CRD20TJ332T	RES , CARBON	3.3K OHM 1/5W J	
R514	CRD20TJ562T	RES , CARBON	5.6K OHM 1/5W J	
R515	CRD20TJ332T	RES , CARBON	3.3K OHM 1/5W J	
R516	CRD20TJ562T	RES , CARBON	5.6K OHM 1/5W J	
R517	CRD20TJ752T	RES , CARBON	7.5K OHM 1/5W J	
R518	CRD20TJ102T	RES , CARBON	1K OHM 1/5W J	
R519	CRD20TJ473T	RES , CARBON	47K OHM 1/5W J	
R520	CRD20TJ101T	RES , CARBON	100 OHM 1/5W J	
R521	CRD20TJ473T	RES , CARBON	47K OHM 1/5W J	
R522	CRD20TJ101T	RES , CARBON	100 OHM 1/5W J	
R524	CRD20TJ820T	RES , CARBON	82 OHM 1/5W J	
R526	CRD20TJ123T	RES , CARBON	12K OHM 1/5W J	
R527	CRD20TJ153T	RES , CARBON	15K OHM 1/5W J	
SW01	CST1A012ZT	SW , TACT	00802-0005	
SW02	CST1A012ZT	SW , TACT	00802-0005	
SW03	CST1A012ZT	SW , TACT	00802-0005	
SW04	CST1A012ZT	SW , TACT	00802-0005	
SW05	CST1A012ZT	SW , TACT	00802-0005	
SW06	CST1A012ZT	SW , TACT	00802-0005	
SW07	CST1A012ZT	SW , TACT	00802-0005	
SW08	CST1A012ZT	SW , TACT	00802-0005	
SW09	CST1A012ZT	SW , TACT	00802-0005	
SW10	CST1A012ZT	SW , TACT	00802-0005	
SW11	CST1A012ZT	SW , TACT	00802-0005	
SW12	CST1A012ZT	SW , TACT	00802-0005	
SW13	CST1A012ZT	SW , TACT	00802-0005	
SW14	CST1A012ZT	SW , TACT	00802-0005	
SW15	CST1A012ZT	SW , TACT	00802-0005	
SW16	CST1A012ZT	SW , TACT	00802-0005	
SW17	CST1A012ZT	SW , TACT	00802-0005	
	C8ESM800	FLUX		
	H2K31161	SOLDER , WIRE	SN60/PH40	
	H2K50301	SOLDER , BAR	S63S-W3.0	
	K4FM073	TAPE , BOTH SIDE	3M #4920	
BK51	CMC1A242	PLATE , EARTH	QRW-6500	
BK52	CMC1A242	PLATE , EARTH	QRW-6500	
BK53	CMD1A468	BRACKET , FLT		
BK54	CMD1A468	BRACKET , FLT		
BN51	CWB1B903150NE	WIRE ASS'Y		

SEQ.	PART NO.	DESCRIPTION	SPECIFICATION	REMARKS
BN53	CWBQRW6500BN53	WIRE ASS'Y (11 PIN)	QRW-6500	
BN79	CWE7202050AR	WIRE A'SSY		
CB71	CWC1B4A19A400B	CARD CABLE		
CN52	CJP03GA19ZY	WAFER, STRAIGHT, 3PIN		
CN71	KJP19GA117ZG	WAFER , C.CABLE		
FIP1	HFL11BT229GNK	FIP		
IC51	HRVKSM603TH2	REMOCON SENSER CN	KSM-603TH2	
IC52	HVILC75725E	IC , VFL DRIVER		
IC93	HVINJM2068MDTE1	I.C , OP AMP	NJM2068MD-TE1	
JK51	CJJ9M004Z	JACK , S-VHS		
JK52	CJJ4S028Z	JACK , BOARD (3P)	ADVR-7100	

SEQ.	PART NO.	DESCRIPTION	SPECIFICATION	REMARKS
	CIP11742B	FUNCTION PCB AUTO ASS'Y	QRW-6500	
	CIP11742BSMD	FUNCTION PCB SMD ASS'Y	QRW-6500	
	CUP11742Z	PCB , FUNCTION	QRW-6500	
C101	HCUS1H680JA	CAP , CHIP		
C104	HCUS1H103KC	CAP , CHIP		
C105	HCUS1H680JA	CAP , CHIP		
C106	HCUS1H680JA	CAP , CHIP		
C107	HCUS1H101JA	CAP , CHIP		
C108	HCUS1H101JA	CAP , CHIP		
C109	HCUS1H101JA	CAP , CHIP		
C110	HCUS1H470JA	CAP , CHIP		
C111	HCUS1H103KC	CAP , CHIP		
C113	HCUS1H470JA	CAP , CHIP		
C114	HCUS1H221JA	CAP , CHIP		
C115	HCUS1H103KC	CAP , CHIP		
C120	HCUS1H221JA	CAP , CHIP		
C121	HCUS1H150JA	CAP , CHIP	1608 SIZE	
C122	HCUS1H150JA	CAP , CHIP	1608 SIZE	
C123	HCUS1H101JA	CAP , CHIP		
C124	HCUS1H101JA	CAP , CHIP		
C125	HCUS1H220JA	CAP , CHIP		
C126	HCUS1H220JA	CAP , CHIP		
C127	HCUS1H220JA	CAP , CHIP		
C128	HCUS1H680JA	CAP , CHIP		
C129	HCUS1H151JA	CAP , CHIP , 150PF JA	1608 SIZE	
C131	HCUS1H221JA	CAP , CHIP		
C132	HCUS1H221JA	CAP , CHIP		
C133	HCUS1H101JA	CAP , CHIP		
C134	CCEA1CH101T	CAP, ELE 100UF/16V/-40~+85	00107-1003	
C135	CCEA1CH101T	CAP, ELE 100UF/16V/-40~+85	00107-1003	
C136	HCUS1H103KC	CAP , CHIP		
C151	HCUS1E104ZF	CAP , CHIP , 0.1UF ZF	1608 SIZE	
C155	HCUS1H103KC	CAP , CHIP		
C156	HCUS1H103KC	CAP , CHIP		
C161	HCUS1H103KC	CAP , CHIP		
C201	HCUS1H150JA	CAP , CHIP	1608 SIZE	
C202	HCUS1H151JA	CAP , CHIP , 150PF JA	1608 SIZE	
C203	HCUS1H151JA	CAP , CHIP , 150PF JA	1608 SIZE	
C206	HCUS1H150JA	CAP , CHIP	1608 SIZE	
C207	HCUS1H151JA	CAP , CHIP , 150PF JA	1608 SIZE	
C208	HCUS1H151JA	CAP , CHIP , 150PF JA	1608 SIZE	
C211	HCUS1H150JA	CAP , CHIP	1608 SIZE	
C212	HCUS1H151JA	CAP , CHIP , 150PF JA	1608 SIZE	
C213	HCUS1H151JA	CAP , CHIP , 150PF JA	1608 SIZE	
C216	HCUS1H150JA	CAP , CHIP	1608 SIZE	
C217	HCUS1H151JA	CAP , CHIP , 150PF JA	1608 SIZE	
C218	HCUS1H151JA	CAP , CHIP , 150PF JA	1608 SIZE	
C221	HCUS1H150JA	CAP , CHIP	1608 SIZE	
C222	HCUS1H151JA	CAP , CHIP , 150PF JA	1608 SIZE	
C223	HCUS1H151JA	CAP , CHIP , 150PF JA	1608 SIZE	
C226	HCUS1H150JA	CAP , CHIP	1608 SIZE	
C227	HCUS1H151JA	CAP , CHIP , 150PF JA	1608 SIZE	
C228	HCUS1H151JA	CAP , CHIP , 150PF JA	1608 SIZE	
C231	HCUS1H221JA	CAP , CHIP		

SEQ.	PART NO.	DESCRIPTION	SPECIFICATION	REMARKS
C236	HCUS1H221JA	CAP , CHIP		
C242	HCUS1E104ZF	CAP , CHIP , 0.1UF ZF	1608 SIZE	
C246	HCUS1H104ZF	CAP , CHIP		
C248	HCUS1H104ZF	CAP , CHIP		
C251	HCUS1H270JA	CAP , CHIP , 27PF JA	1608 SIZE	
C252	HCUS1H270JA	CAP , CHIP , 27PF JA	1608 SIZE	
C253	HCUS1H270JA	CAP , CHIP , 27PF JA	1608 SIZE	
C254	HCUS1H270JA	CAP , CHIP , 27PF JA	1608 SIZE	
C255	HCUS1H270JA	CAP , CHIP , 27PF JA	1608 SIZE	
C256	HCUS1H270JA	CAP , CHIP , 27PF JA	1608 SIZE	
C257	HCUS1H270JA	CAP , CHIP , 27PF JA	1608 SIZE	
C261	HCUS1H220JA	CAP , CHIP		
C263	HCUS1H220JA	CAP , CHIP		
C265	HCUS1H220JA	CAP , CHIP		
C267	HCUS1H220JA	CAP , CHIP		
C269	HCUS1H220JA	CAP , CHIP		
C273	HCUS1H224ZF	CAP , CHIP		
C275	HCUS1H104ZF	CAP , CHIP		
C276	HCUS1E104ZF	CAP , CHIP , 0.1UF ZF	1608 SIZE	
C279	HCUS1H103KC	CAP , CHIP		
C281	CRJ10DJ223T	RES, CHIP 22KOHM/1608/5%	00200-0093	
C282	CRJ10DJ223T	RES, CHIP 22KOHM/1608/5%	00200-0093	
C283	CRJ10DJ223T	RES, CHIP 22KOHM/1608/5%	00200-0093	
C284	HCUS1H103KC	CAP , CHIP		
C286	HCUS1H103KC	CAP , CHIP		
C297	HCUS1H103KC	CAP , CHIP		
C317	HCUS1H471JA	CAP , CHIP		
C318	HCUS1H471JA	CAP , CHIP		
C319	HCUS1H103KC	CAP , CHIP		
C320	HCUS1H103KC	CAP , CHIP		
C326	HCUS1H103KC	CAP , CHIP		
C327	HCUS1H103KC	CAP , CHIP		
C329	HCUS1H103KC	CAP , CHIP		
C336	HCUS1H103KC	CAP , CHIP		
C337	HCUS1H103KC	CAP , CHIP		
C339	HCUS1H103KC	CAP , CHIP		
C346	HCUS1H103KC	CAP , CHIP		
C347	HCUS1H103KC	CAP , CHIP		
C365	HCUS1H220JA	CAP , CHIP		
C367	HCUS1H220JA	CAP , CHIP		
C371	HCUS1E104ZF	CAP , CHIP , 0.1UF ZF	1608 SIZE	
C373	HCUS1H220JA	CAP , CHIP		
C375	HCUS1H220JA	CAP , CHIP		
C376	HCUS1E104ZF	CAP , CHIP , 0.1UF ZF	1608 SIZE	
C377	HCUS1H330JA	CAP , CHIP		
C381	HCUS1H100JA	CAP , CHIP		
C508	HCUS1H101JA	CAP , CHIP		
C509	HCUS1H101JA	CAP , CHIP		
C518	HCUS1H101JA	CAP , CHIP		
C519	HCUS1H101JA	CAP , CHIP		
C528	HCUS1H102KC	CAP , CHIP		
C529	HCUS1H103KC	CAP , CHIP		
C530	HCUS1H101JA	CAP , CHIP		
C531	HCUS1H101JA	CAP , CHIP		

SEQ.	PART NO.	DESCRIPTION	SPECIFICATION	REMARKS
C535	HCUS1H101JA	CAP , CHIP		
C545	HCUS1H101JA	CAP , CHIP		
C546	HCUS1H101JA	CAP , CHIP		
C561	HCUS1H101JA	CAP , CHIP		
C562	HCUS1H101JA	CAP , CHIP		
C576	HCUS1H101JA	CAP , CHIP		
C577	HCUS1H101JA	CAP , CHIP		
C591	HCUS1H101JA	CAP , CHIP		
C592	HCUS1H101JA	CAP , CHIP		
C601	HCUS1H101JA	CAP , CHIP		
C602	HCUS1H101JA	CAP , CHIP		
C603	HCUS1H101JA	CAP , CHIP		
C604	HCUS1H101JA	CAP , CHIP		
C609	HCUS1H101JA	CAP , CHIP		
C610	HCUS1H101JA	CAP , CHIP		
C620	HCUS1H103KC	CAP , CHIP		
C621	HCUS1H103KC	CAP , CHIP		
C624	HCUS1H101JA	CAP , CHIP		
C625	HCUS1H101JA	CAP , CHIP		
C628	HCUS1H101JA	CAP , CHIP		
C629	HCUS1H101JA	CAP , CHIP		
C631	HCUS1H151JA	CAP , CHIP , 150PF JA	1608 SIZE	
C632	HCUS1H151JA	CAP , CHIP , 150PF JA	1608 SIZE	
C633	HCUS1H103KC	CAP , CHIP		
C634	HCUS1H103KC	CAP , CHIP		
C635	HCUS1H101JA	CAP , CHIP		
C636	HCUS1H101JA	CAP , CHIP		
C637	HCUS1H101JA	CAP , CHIP		
C638	HCUS1H101JA	CAP , CHIP		
C646	HCUS1H151JA	CAP , CHIP , 150PF JA	1608 SIZE	
C647	HCUS1H151JA	CAP , CHIP , 150PF JA	1608 SIZE	
C648	HCUS1H103KC	CAP , CHIP		
C650	HCUS1H103KC	CAP , CHIP		
C652	HCUS1H101JA	CAP , CHIP		
C653	HCUS1H101JA	CAP , CHIP		
C656	HCUS1H101JA	CAP , CHIP		
C657	HCUS1H101JA	CAP , CHIP		
C661	HCUS1H470JA	CAP , CHIP		
C662	HCUS1H470JA	CAP , CHIP		
C663	HCUS1H103KC	CAP , CHIP		
C664	HCUS1H103KC	CAP , CHIP		
C665	HCUS1H470JA	CAP , CHIP		
C666	HCUS1H470JA	CAP , CHIP		
C671	HCUS1H470JA	CAP , CHIP		
C672	HCUS1H470JA	CAP , CHIP		
C673	HCUS1H103KC	CAP , CHIP		
C674	HCUS1H103KC	CAP , CHIP		
C675	HCUS1H470JA	CAP , CHIP		
C676	HCUS1H470JA	CAP , CHIP		
C677	HCUS1H470JA	CAP , CHIP		
C678	HCUS1H470JA	CAP , CHIP		
C682	CRJ10DJ0R0T	RES, CHIP 0 OHM/1608/5%	00200-0090	
C691	HCUS1E104ZF	CAP , CHIP , 0.1UF ZF	1608 SIZE	
C692	HCUS1E104ZF	CAP , CHIP , 0.1UF ZF	1608 SIZE	

SEQ.	PART NO.	DESCRIPTION	SPECIFICATION	REMARKS
C701	HCUS1H103KC	CAP , CHIP		
C702	HCUS1H103KC	CAP , CHIP		
C703	HCUS1H271JA	CAP , CHIP		
C704	HCUS1H271JA	CAP , CHIP		
C707	HCUS1H271JA	CAP , CHIP		
C708	HCUS1H271JA	CAP , CHIP		
C711	HCUS1H103KC	CAP , CHIP		
C712	HCUS1H103KC	CAP , CHIP		
C713	HCUS1H271JA	CAP , CHIP		
C714	HCUS1H271JA	CAP , CHIP		
C717	HCUS1H271JA	CAP , CHIP		
C718	HCUS1H271JA	CAP , CHIP		
C721	HCUS1H271JA	CAP , CHIP		
C722	HCUS1H271JA	CAP , CHIP		
C728	HCUS1H103KC	CAP , CHIP		
C729	HCUS1H103KC	CAP , CHIP		
C731	HCUS1H271JA	CAP , CHIP		
C732	HCUS1H271JA	CAP , CHIP		
C733	HCUS1H271JA	CAP , CHIP		
C734	HCUS1H271JA	CAP , CHIP		
C743	HCUS1H103KC	CAP , CHIP		
C744	HCUS1H103KC	CAP , CHIP		
C751	HCUS1H470JA	CAP , CHIP		
C752	HCUS1H470JA	CAP , CHIP		
C753	HCUS1H103KC	CAP , CHIP		
C754	HCUS1H103KC	CAP , CHIP		
C759	HCUS1H271JA	CAP , CHIP		
C760	HCUS1H271JA	CAP , CHIP		
C801	HCUS1H103KC	CAP , CHIP		
C802	HCUS1H103KC	CAP , CHIP		
C807	HCUS1H103KC	CAP , CHIP		
C808	HCUS1H103KC	CAP , CHIP		
C821	HCUS1H103KC	CAP , CHIP		
C822	HCUS1H103KC	CAP , CHIP		
C851	HCUS1H101JA	CAP , CHIP		
C852	HCUS1H101JA	CAP , CHIP		
C860	HCUS1H101JA	CAP , CHIP		
C864	HCUS1H101JA	CAP , CHIP		
C875	HCUS1H101JA	CAP , CHIP		
C883	HCUS1H221JA	CAP , CHIP		
C884	HCUS1H221JA	CAP , CHIP		
C885	HCUS1H271JA	CAP , CHIP		
C886	HCUS1H271JA	CAP , CHIP		
C944	HCUS1H221JA	CAP , CHIP		
C945	HCUS1H271JA	CAP , CHIP		
C946	HCUS1H221JA	CAP , CHIP		
C947	HCUS1H271JA	CAP , CHIP		
C948	HCUS1H221JA	CAP , CHIP		
C949	HCUS1H271JA	CAP , CHIP		
C961	HCUS1H271JA	CAP , CHIP		
C962	HCUS1H271JA	CAP , CHIP		
C963	HCUS1H103KC	CAP , CHIP		
C964	HCUS1H103KC	CAP , CHIP		
C967	HCUS1H271JA	CAP , CHIP		

SEQ.	PART NO.	DESCRIPTION	SPECIFICATION	REMARKS
C968	HCUS1H271JA	CAP , CHIP		
C971	HCUS1H103KC	CAP , CHIP		
C972	HCUS1H103KC	CAP , CHIP		
C975	HCUS1H271JA	CAP , CHIP		
C976	HCUS1H271JA	CAP , CHIP		
C987	HCUS1H220JA	CAP , CHIP		
C988	HCUS1H220JA	CAP , CHIP		
D136	HVD1SS355T	DIODE , CHIP		
D137	HVD1SS355T	DIODE , CHIP		
D295	HVD1SS355T	DIODE , CHIP		
FB24	HLZ9Z008Z	CHIP , BEAD		
FB27	HLZ9Z008Z	CHIP , BEAD		
FB37	HLZ9Z008Z	CHIP , BEAD		
IC10	HVIRH5VT28C	I.C , RESET	RICOH 2.8V	
IC11	HVIRH5VT45C	I.C , RESET	RICOH 4.5V	
IC14	HVIST92F124V1T6	I.C , MCU (FLASH 128K,TQFP100)	ST92F124V1T6	
IC24	HVIAK5381VT	I.C , ADC		
IC27	KVIBA7607F	I.C , VIDEO SIGNAL SWITCHER	BA7607F	
IC29	HVIPCM1754DBQR	I.C , 2CH DAC	PCM1754DBQR	
IC31	HVINJM2068MDTE1	I.C , OP AMP	NJM2068MD-TE1	
IC34	HVINJM2580MTE1	I.C , TRIPLE VIDEO AMPLIFIER	QRW-7500	
IC35	HVINJM2580MTE1	I.C , TRIPLE VIDEO AMPLIFIER	QRW-7500	
IC37	HVI74VHC04MX	I.C , INVERTER	74VHC04M	
IC62	HVINJM2068MDTE1	I.C , OP AMP	NJM2068MD-TE1	
IC63	HVINJM2068MDTE1	I.C , OP AMP	NJM2068MD-TE1	
IC64	HVINJM2068MDTE1	I.C , OP AMP	NJM2068MD-TE1	
IC66	HVINJM2068MDTE1	I.C , OP AMP	NJM2068MD-TE1	
IC67	HVINJM2068MDTE1	I.C , OP AMP	NJM2068MD-TE1	
IC68	HVITC9164AF	I.C , FUNCTION	TC9164AF	
IC70	HVINJM2068MDTE1	I.C , OP AMP	NJM2068MD-TE1	
IC71	HVINJM2068MDTE1	I.C , OP AMP	NJM2068MD-TE1	
IC72	HVITC9163AF	I.C , FUNCTION	TC9163AF	
IC73	HVINJM2068MDTE1	I.C , OP AMP	NJM2068MD-TE1	
IC74	HVITC9162AF	I.C , FUNCTION	TC9162AF	
IC75	HVINJM2068MDTE1	I.C , OP AMP	NJM2068MD-TE1	
IC76	HVINJM2068MDTE1	I.C , OP AMP	NJM2068MD-TE1	
IC79	HVINJM2296M	I.C , VIDEO SW	NJM2296M	
IC80	HVINJM2296M	I.C , VIDEO SW	NJM2296M	
IC81	HVINJM2244MTE1	I.C , VIDEO SWITCH	QRW-6500	
IC82	HVINJM2244MTE1	I.C , VIDEO SWITCH	QRW-6500	
IC96	HVINJM2068MDTE1	I.C , OP AMP	NJM2068MD-TE1	
IC97	HVINJM2068MDTE1	I.C , OP AMP	NJM2068MD-TE1	
L201	HLQ09E1R0KRZ	CHIP , COIL	FI-C3216-102	
L206	HLQ09E1R0KRZ	CHIP , COIL	FI-C3216-102	
L211	HLQ09E1R0KRZ	CHIP , COIL	FI-C3216-102	
L216	HLQ09E1R0KRZ	CHIP , COIL	FI-C3216-102	
L221	HLQ09E1R0KRZ	CHIP , COIL	FI-C3216-102	
L226	HLQ09E1R0KRZ	CHIP , COIL	FI-C3216-102	
L282	CRJ10DJ0R0T	RES, CHIP 0 OHM/1608/5%	00200-0090	
L283	CRJ10DJ0R0T	RES, CHIP 0 OHM/1608/5%	00200-0090	
L860	HLQ09E1R0KRZ	CHIP , COIL	FI-C3216-102	
L881	HLQ09E1R0KRZ	CHIP , COIL	FI-C3216-102	
L882	HLQ09E1R0KRZ	CHIP , COIL	FI-C3216-102	
L945	HLQ09E1R0KRZ	CHIP , COIL	FI-C3216-102	

SEQ.	PART NO.	DESCRIPTION	SPECIFICATION	REMARKS
L947	HLQ09E1R0KRZ	CHIP , COIL	FI-C3216-102	
L949	HLQ09E1R0KRZ	CHIP , COIL	FI-C3216-102	
Q101	HVTKRA102S	T.R , CHIP	KRA102S	
Q102	HVTKRA102S	T.R , CHIP	KRA102S	
Q103	HVTKRA102S	T.R , CHIP	KRA102S	
Q105	HVTKRC102S	T.R , CHIP	KRC102S	
Q106	HVTKRC102S	T.R , CHIP	KRC102S	
Q141	HVTKRA102S	T.R , CHIP	KRA102S	
Q142	HVTKRA102S	T.R , CHIP	KRA102S	
Q143	HVTKRA102S	T.R , CHIP	KRA102S	
Q144	HVTKRA102S	T.R , CHIP	KRA102S	
Q145	HVTKRA102S	T.R , CHIP	KRA102S	
Q146	HVTKRA102S	T.R , CHIP	KRA102S	
Q161	HVTKRA102S	T.R , CHIP	KRA102S	
Q162	HVTKRC102S	T.R , CHIP	KRC102S	
Q163	HVTKRC102S	T.R , CHIP	KRC102S	
Q303	HVTKTD1304T	T.R , CHIP (MUTE)	KTD1304	
Q304	HVTKTD1304T	T.R , CHIP (MUTE)	KTD1304	
Q310	HVTKRC102S	T.R , CHIP	KRC102S	
Q311	HVTKRA102S	T.R , CHIP	KRA102S	
Q364	HVTKTD1304T	T.R , CHIP (MUTE)	KTD1304	
Q366	HVTKTD1304T	T.R , CHIP (MUTE)	KTD1304	
Q504	HVTKTA1504SYRTK	T.R , CHIP	KTA1504S Y RTK	
Q505	HVTKTA1504SYRTK	T.R , CHIP	KTA1504S Y RTK	
Q516	HVTKTA1504SYRTK	T.R , CHIP	KTA1504S Y RTK	
Q517	HVTKTA1504SYRTK	T.R , CHIP	KTA1504S Y RTK	
Q524	HVTKTA1504SYRTK	T.R , CHIP	KTA1504S Y RTK	
Q525	HVTKTA1504SYRTK	T.R , CHIP	KTA1504S Y RTK	
Q539	HVTKTA1504SYRTK	T.R , CHIP	KTA1504S Y RTK	
Q540	HVTKTA1504SYRTK	T.R , CHIP	KTA1504S Y RTK	
Q555	HVTKTA1504SYRTK	T.R , CHIP	KTA1504S Y RTK	
Q556	HVTKTA1504SYRTK	T.R , CHIP	KTA1504S Y RTK	
Q560	HVTKRC102S	T.R , CHIP	KRC102S	
Q561	HVTKRA102S	T.R , CHIP	KRA102S	
Q569	HVTKTA1504SYRTK	T.R , CHIP	KTA1504S Y RTK	
Q570	HVTKTA1504SYRTK	T.R , CHIP	KTA1504S Y RTK	
Q585	HVTKTA1504SYRTK	T.R , CHIP	KTA1504S Y RTK	
Q586	HVTKTA1504SYRTK	T.R , CHIP	KTA1504S Y RTK	
Q845	HVTKTA1504SYRTK	T.R , CHIP	KTA1504S Y RTK	
Q846	HVTKTA1504SYRTK	T.R , CHIP	KTA1504S Y RTK	
Q857	HVTKTA1504SYRTK	T.R , CHIP	KTA1504S Y RTK	
Q862	HVTKTA1504SYRTK	T.R , CHIP	KTA1504S Y RTK	
Q873	HVTKTA1504SYRTK	T.R , CHIP	KTA1504S Y RTK	
Q881	HVTKTA1504SYRTK	T.R , CHIP	KTA1504S Y RTK	
Q882	HVTKTA1504SYRTK	T.R , CHIP	KTA1504S Y RTK	
Q951	HVTKRC102S	T.R , CHIP	KRC102S	
Q982	HVTKTD1304T	T.R , CHIP (MUTE)	KTD1304	
Q983	HVTKTD1304T	T.R , CHIP (MUTE)	KTD1304	
R101	CRJ10DJ750T	RES , CHIP	1608 SIZE	
R102	CRJ10DJ100T	RES , CHIP	1608 SIZE	
R103	CRJ10DJ100T	RES , CHIP	1608 SIZE	
R104	CRJ10DJ221T	RES, CHIP 220 OHM/1608/5%	00200-0101	
R105	CRJ10DJ102T	RES, CHIP 1KOHM/1608/5%	00200-0094	
R106	CRJ10DJ102T	RES, CHIP 1KOHM/1608/5%	00200-0094	

SEQ.	PART NO.	DESCRIPTION	SPECIFICATION	REMARKS
R107	CRJ10DJ102T	RES, CHIP 1KOHM/1608/5%	00200-0094	
R108	CRJ10DJ750T	RES, CHIP	1608 SIZE	
R109	CRJ10DJ0R0T	RES, CHIP 0 OHM/1608/5%	00200-0090	
R110	CRJ10DJ331T	RES, CHIP 330 OHM/1608/5%	00200-0117	
R111	CRJ10DJ100T	RES, CHIP	1608 SIZE	
R112	CRJ10DJ223T	RES, CHIP 22KOHM/1608/5%	00200-0093	
R113	CRJ10DJ331T	RES, CHIP 330 OHM/1608/5%	00200-0117	
R114	CRJ10DJ0R0T	RES, CHIP 0 OHM/1608/5%	00200-0090	
R115	CRJ10DJ100T	RES, CHIP	1608 SIZE	
R116	CRJ10DJ223T	RES, CHIP 22KOHM/1608/5%	00200-0093	
R117	CRJ10DJ100T	RES, CHIP	1608 SIZE	
R118	CRJ10DJ750T	RES, CHIP	1608 SIZE	
R119	CRJ10DJ822T	RES, CHIP	1608 SIZE	
R120	CRJ10DJ822T	RES, CHIP	1608 SIZE	
R121	CRJ10DJ121T	RES, CHIP	1608 SIZE	
R122	CRJ10DJ0R0T	RES, CHIP 0 OHM/1608/5%	00200-0090	
R124	CRJ10DJ0R0T	RES, CHIP 0 OHM/1608/5%	00200-0090	
R125	CRJ10DJ0R0T	RES, CHIP 0 OHM/1608/5%	00200-0090	
R126	CRJ10DJ0R0T	RES, CHIP 0 OHM/1608/5%	00200-0090	
R127	CRJ10DJ103T	RES, CHIP 10KOHM/1608/5%	00200-0096	
R128	CRJ10DJ103T	RES, CHIP 10KOHM/1608/5%	00200-0096	
R129	CRJ10DJ103T	RES, CHIP 10KOHM/1608/5%	00200-0096	
R130	CRJ10DJ0R0T	RES, CHIP 0 OHM/1608/5%	00200-0090	
R131	CRJ10DJ100T	RES, CHIP	1608 SIZE	
R132	CRJ10DJ100T	RES, CHIP	1608 SIZE	
R133	CRJ10DJ100T	RES, CHIP	1608 SIZE	
R134	CRJ10DJ100T	RES, CHIP	1608 SIZE	
R135	CRJ10DJ100T	RES, CHIP	1608 SIZE	
R136	CRJ10DJ100T	RES, CHIP	1608 SIZE	
R137	CRJ10DJ100T	RES, CHIP	1608 SIZE	
R138	CRJ10DJ0R0T	RES, CHIP 0 OHM/1608/5%	00200-0090	
R139	CRJ10DJ331T	RES, CHIP 330 OHM/1608/5%	00200-0117	
R140	CRJ10DJ331T	RES, CHIP 330 OHM/1608/5%	00200-0117	
R141	CRJ10DJ102T	RES, CHIP 1KOHM/1608/5%	00200-0094	
R142	CRJ10DJ102T	RES, CHIP 1KOHM/1608/5%	00200-0094	
R143	CRJ10DJ102T	RES, CHIP 1KOHM/1608/5%	00200-0094	
R144	CRJ10DJ102T	RES, CHIP 1KOHM/1608/5%	00200-0094	
R145	CRJ10DJ102T	RES, CHIP 1KOHM/1608/5%	00200-0094	
R146	CRJ10DJ102T	RES, CHIP 1KOHM/1608/5%	00200-0094	
R147	CRJ10DJ0R0T	RES, CHIP 0 OHM/1608/5%	00200-0090	
R148	CRJ10DJ101T	RES, CHIP 100 OHM/1608/5%	00200-0100	
R149	CRJ10DJ101T	RES, CHIP 100 OHM/1608/5%	00200-0100	
R155	CRJ10DJ101T	RES, CHIP 100 OHM/1608/5%	00200-0100	
R156	CRJ10DJ101T	RES, CHIP 100 OHM/1608/5%	00200-0100	
R161	CRJ10DJ223T	RES, CHIP 22KOHM/1608/5%	00200-0093	
R162	CRJ10DJ101T	RES, CHIP 100 OHM/1608/5%	00200-0100	
R163	CRJ10DJ103T	RES, CHIP 10KOHM/1608/5%	00200-0096	
R164	CRJ10DJ103T	RES, CHIP 10KOHM/1608/5%	00200-0096	
R166	CRJ10DJ100T	RES, CHIP	1608 SIZE	
R167	CRJ10DJ222T	RES, CHIP 2.2KOHM/1608/5%	00200-0142	
R168	CRJ10DJ392T	RES, CHIP		
R201	CRJ10DF75R0T	RES, CHIP 75 OHM/1608/1%	75 OHM, 1%	
R206	CRJ10DF75R0T	RES, CHIP 75 OHM/1608/1%	75 OHM, 1%	
R211	CRJ10DF75R0T	RES, CHIP 75 OHM/1608/1%	75 OHM, 1%	

SEQ.	PART NO.	DESCRIPTION	SPECIFICATION	REMARKS
R216	CRJ10DF75R0T	RES, CHIP 75 OHM/1608/1%	75 OHM, 1%	
R221	CRJ10DF75R0T	RES, CHIP 75 OHM/1608/1%	75 OHM, 1%	
R226	CRJ10DF75R0T	RES, CHIP 75 OHM/1608/1%	75 OHM, 1%	
R231	CRJ10DJ0R0T	RES, CHIP 0 OHM/1608/5%	00200-0090	
R232	CRJ10DJ104T	RES, CHIP 100KOHM/1608/5%	00200-0097	
R236	CRJ10DJ0R0T	RES, CHIP 0 OHM/1608/5%	00200-0090	
R237	CRJ10DJ104T	RES, CHIP 100KOHM/1608/5%	00200-0097	
R241	CRJ10DJ221T	RES, CHIP 220 OHM/1608/5%	00200-0101	
R242	CRJ10DJ100T	RES , CHIP	1608 SIZE	
R243	CRJ10DJ100T	RES , CHIP	1608 SIZE	
R254	CRJ10DJ103T	RES, CHIP 10KOHM/1608/5%	00200-0096	
R255	CRJ10DJ100T	RES , CHIP	1608 SIZE	
R256	CRJ10DJ0R0T	RES, CHIP 0 OHM/1608/5%	00200-0090	
R257	CRJ10DJ0R0T	RES, CHIP 0 OHM/1608/5%	00200-0090	
R258	CRJ10DJ0R0T	RES, CHIP 0 OHM/1608/5%	00200-0090	
R261	CRJ10DJ470T	RES, CHIP 47 OHM/1608/5%	00200-0098	
R263	CRJ10DJ470T	RES, CHIP 47 OHM/1608/5%	00200-0098	
R265	CRJ10DJ470T	RES, CHIP 47 OHM/1608/5%	00200-0098	
R267	CRJ10DJ470T	RES, CHIP 47 OHM/1608/5%	00200-0098	
R269	CRJ10DJ470T	RES, CHIP 47 OHM/1608/5%	00200-0098	
R271	CRJ10DJ0R0T	RES, CHIP 0 OHM/1608/5%	00200-0090	
R272	CRJ10DJ103T	RES, CHIP 10KOHM/1608/5%	00200-0096	
R273	CRJ10DJ0R0T	RES, CHIP 0 OHM/1608/5%	00200-0090	
R274	CRJ10DJ103T	RES, CHIP 10KOHM/1608/5%	00200-0096	
R275	CRJ10DJ0R0T	RES, CHIP 0 OHM/1608/5%	00200-0090	
R276	CRJ10DJ103T	RES, CHIP 10KOHM/1608/5%	00200-0096	
R277	CRJ10DJ0R0T	RES, CHIP 0 OHM/1608/5%	00200-0090	
R284	CRJ10DJ103T	RES, CHIP 10KOHM/1608/5%	00200-0096	
R289	CRJ10DJ103T	RES, CHIP 10KOHM/1608/5%	00200-0096	
R291	CRJ10DJ101T	RES, CHIP 100 OHM/1608/5%	00200-0100	
R292	CRJ10DJ101T	RES, CHIP 100 OHM/1608/5%	00200-0100	
R293	CRJ10DJ101T	RES, CHIP 100 OHM/1608/5%	00200-0100	
R294	CRJ10DJ101T	RES, CHIP 100 OHM/1608/5%	00200-0100	
R295	CRJ10DJ0R0T	RES, CHIP 0 OHM/1608/5%	00200-0090	
R296	CRJ10DJ0R0T	RES, CHIP 0 OHM/1608/5%	00200-0090	
R297	CRJ10DJ102T	RES, CHIP 1KOHM/1608/5%	00200-0094	
R301	CRJ10DJ102T	RES, CHIP 1KOHM/1608/5%	00200-0094	
R302	CRJ10DJ102T	RES, CHIP 1KOHM/1608/5%	00200-0094	
R303	CRJ10DJ152T	RES, CHIP 1.5KOHM/1608/5%	00200-0119	
R304	CRJ10DJ152T	RES, CHIP 1.5KOHM/1608/5%	00200-0119	
R305	CRJ10DJ103T	RES, CHIP 10KOHM/1608/5%	00200-0096	
R306	CRJ10DJ103T	RES, CHIP 10KOHM/1608/5%	00200-0096	
R307	CRJ10DJ392T	RES . CHIP		
R308	CRJ10DJ392T	RES . CHIP		
R309	CRJ10DJ392T	RES . CHIP		
R310	CRJ10DJ392T	RES . CHIP		
R311	CRJ10DJ103T	RES, CHIP 10KOHM/1608/5%	00200-0096	
R312	CRJ10DJ103T	RES, CHIP 10KOHM/1608/5%	00200-0096	
R313	CRJ10DJ223T	RES, CHIP 22KOHM/1608/5%	00200-0093	
R314	CRJ10DJ223T	RES, CHIP 22KOHM/1608/5%	00200-0093	
R315	CRJ10DJ102T	RES, CHIP 1KOHM/1608/5%	00200-0094	
R316	CRJ10DJ102T	RES, CHIP 1KOHM/1608/5%	00200-0094	
R317	CRJ10DJ104T	RES, CHIP 100KOHM/1608/5%	00200-0097	
R318	CRJ10DJ104T	RES, CHIP 100KOHM/1608/5%	00200-0097	

SEQ.	PART NO.	DESCRIPTION	SPECIFICATION	REMARKS
R319	CRJ10DJ101T	RES, CHIP 100 OHM/1608/5%	00200-0100	
R320	CRJ10DJ101T	RES, CHIP 100 OHM/1608/5%	00200-0100	
R322	CRJ10DJ910T	RES, CHIP	1608 SIZE	
R323	CRJ10DJ181T	RES, CHIP 180 OHM/1608/5%	00200-0203	
R324	CRJ10DJ750T	RES, CHIP	1608 SIZE	
R325	CRJ10DJ910T	RES, CHIP	1608 SIZE	
R326	CRJ10DJ222T	RES, CHIP 2.2KOHM/1608/5%	00200-0142	
R327	CRJ10DJ100T	RES, CHIP	1608 SIZE	
R328	CRJ10DJ100T	RES, CHIP	1608 SIZE	
R332	CRJ10DJ820T	RES, CHIP	1608 SIZE	
R333	CRJ10DJ151T	RES, CHIP 150 OHM/1608/5%	00200-0112	
R334	CRJ10DJ680T	RES, CHIP		
R335	CRJ10DJ820T	RES, CHIP	1608 SIZE	
R342	CRJ10DJ750T	RES, CHIP	1608 SIZE	
R343	CRJ10DJ151T	RES, CHIP 150 OHM/1608/5%	00200-0112	
R344	CRJ10DJ750T	RES, CHIP	1608 SIZE	
R345	CRJ10DJ820T	RES, CHIP	1608 SIZE	
R350	CRJ10DJ221T	RES, CHIP 220 OHM/1608/5%	00200-0101	
R351	CRJ10DJ221T	RES, CHIP 220 OHM/1608/5%	00200-0101	
R361	CRJ10DJ471T	RES, CHIP 470 OHM/1608/5%	00200-0088	
R362	CRJ10DJ471T	RES, CHIP 470 OHM/1608/5%	00200-0088	
R363	CRJ10DJ152T	RES, CHIP 1.5KOHM/1608/5%	00200-0119	
R364	CRJ10DJ102T	RES, CHIP 1KOHM/1608/5%	00200-0094	
R365	CRJ10DJ104T	RES, CHIP 100KOHM/1608/5%	00200-0097	
R366	CRJ10DJ102T	RES, CHIP 1KOHM/1608/5%	00200-0094	
R367	CRJ10DJ104T	RES, CHIP 100KOHM/1608/5%	00200-0097	
R368	CRJ10DJ822T	RES, CHIP	1608 SIZE	
R371	CRJ10DJ330T	RES, CHIP 33 OHM/1608/5%	00200-0118	
R372	CRJ10DJ472T	RES, CHIP 4.7KOHM/1608/5%	00200-0087	
R374	CRJ10DJ330T	RES, CHIP 33 OHM/1608/5%	00200-0118	
R376	CRJ10DJ100T	RES, CHIP	1608 SIZE	
R377	CRJ10DJ472T	RES, CHIP 4.7KOHM/1608/5%	00200-0087	
R378	CRJ10DJ100T	RES, CHIP	1608 SIZE	
R379	CRJ10DJ104T	RES, CHIP 100KOHM/1608/5%	00200-0097	
R380	CRJ10DJ472T	RES, CHIP 4.7KOHM/1608/5%	00200-0087	
R381	CRJ10DJ151T	RES, CHIP 150 OHM/1608/5%	00200-0112	
R382	CRJ10DJ680T	RES, CHIP		
R383	CRJ10DJ472T	RES, CHIP 4.7KOHM/1608/5%	00200-0087	
R384	CRJ10DJ104T	RES, CHIP 100KOHM/1608/5%	00200-0097	
R385	CRJ10DJ472T	RES, CHIP 4.7KOHM/1608/5%	00200-0087	
R386	CRJ10DJ820T	RES, CHIP	1608 SIZE	
R501	CRJ10DJ820T	RES, CHIP	1608 SIZE	
R502	CRJ10DJ223T	RES, CHIP 22KOHM/1608/5%	00200-0093	
R503	CRJ10DJ223T	RES, CHIP 22KOHM/1608/5%	00200-0093	
R504	CRJ10DJ101T	RES, CHIP 100 OHM/1608/5%	00200-0100	
R505	CRJ10DJ101T	RES, CHIP 100 OHM/1608/5%	00200-0100	
R506	CRJ10DJ181T	RES, CHIP 180 OHM/1608/5%	00200-0203	
R507	CRJ10DJ181T	RES, CHIP 180 OHM/1608/5%	00200-0203	
R508	CRJ10DJ103T	RES, CHIP 10KOHM/1608/5%	00200-0096	
R509	CRJ10DJ103T	RES, CHIP 10KOHM/1608/5%	00200-0096	
R511	CRJ10DJ820T	RES, CHIP	1608 SIZE	
R512	CRJ10DJ223T	RES, CHIP 22KOHM/1608/5%	00200-0093	
R513	CRJ10DJ223T	RES, CHIP 22KOHM/1608/5%	00200-0093	
R514	CRJ10DJ181T	RES, CHIP 180 OHM/1608/5%	00200-0203	

SEQ.	PART NO.	DESCRIPTION	SPECIFICATION	REMARKS
R515	CRJ10DJ181T	RES, CHIP 180 OHM/1608/5%	00200-0203	
R516	CRJ10DJ471T	RES, CHIP 470 OHM/1608/5%	00200-0088	
R517	CRJ10DJ471T	RES, CHIP 470 OHM/1608/5%	00200-0088	
R518	CRJ10DJ103T	RES, CHIP 10KOHM/1608/5%	00200-0096	
R519	CRJ10DJ103T	RES, CHIP 10KOHM/1608/5%	00200-0096	
R520	CRJ10DJ0R0T	RES, CHIP 0 OHM/1608/5%	00200-0090	
R521	CRJ10DJ223T	RES, CHIP 22KOHM/1608/5%	00200-0093	
R522	CRJ10DJ223T	RES, CHIP 22KOHM/1608/5%	00200-0093	
R523	CRJ10DJ223T	RES, CHIP 22KOHM/1608/5%	00200-0093	
R524	CRJ10DJ101T	RES, CHIP 100 OHM/1608/5%	00200-0100	
R525	CRJ10DJ101T	RES, CHIP 100 OHM/1608/5%	00200-0100	
R526	CRJ10DJ181T	RES, CHIP 180 OHM/1608/5%	00200-0203	
R527	CRJ10DJ181T	RES, CHIP 180 OHM/1608/5%	00200-0203	
R528	CRJ10DJ0R0T	RES, CHIP 0 OHM/1608/5%	00200-0090	
R529	CRJ10DJ0R0T	RES, CHIP 0 OHM/1608/5%	00200-0090	
R530	CRJ10DJ103T	RES, CHIP 10KOHM/1608/5%	00200-0096	
R531	CRJ10DJ103T	RES, CHIP 10KOHM/1608/5%	00200-0096	
R532	CRJ10DJ105T	RES, CHIP 1MOHM/1608/5%	00200-0095	
R535	CRJ10DJ0R0T	RES, CHIP 0 OHM/1608/5%	00200-0090	
R536	CRJ10DJ820T	RES, CHIP	1608 SIZE	
R537	CRJ10DJ223T	RES, CHIP 22KOHM/1608/5%	00200-0093	
R538	CRJ10DJ223T	RES, CHIP 22KOHM/1608/5%	00200-0093	
R539	CRJ10DJ101T	RES, CHIP 100 OHM/1608/5%	00200-0100	
R540	CRJ10DJ101T	RES, CHIP 100 OHM/1608/5%	00200-0100	
R541	CRJ10DJ181T	RES, CHIP 180 OHM/1608/5%	00200-0203	
R542	CRJ10DJ181T	RES, CHIP 180 OHM/1608/5%	00200-0203	
R543	CRJ10DJ0R0T	RES, CHIP 0 OHM/1608/5%	00200-0090	
R544	CRJ10DJ0R0T	RES, CHIP 0 OHM/1608/5%	00200-0090	
R545	CRJ10DJ103T	RES, CHIP 10KOHM/1608/5%	00200-0096	
R546	CRJ10DJ103T	RES, CHIP 10KOHM/1608/5%	00200-0096	
R551	CRJ10DJ220T	RES, CHIP	1608 SIZE	
R552	CRJ10DJ472T	RES, CHIP 4.7KOHM/1608/5%	00200-0087	
R553	CRJ10DJ223T	RES, CHIP 22KOHM/1608/5%	00200-0093	
R554	CRJ10DJ223T	RES, CHIP 22KOHM/1608/5%	00200-0093	
R555	CRJ10DJ101T	RES, CHIP 100 OHM/1608/5%	00200-0100	
R556	CRJ10DJ101T	RES, CHIP 100 OHM/1608/5%	00200-0100	
R557	CRJ10DJ181T	RES, CHIP 180 OHM/1608/5%	00200-0203	
R558	CRJ10DJ181T	RES, CHIP 180 OHM/1608/5%	00200-0203	
R559	CRJ10DJ0R0T	RES, CHIP 0 OHM/1608/5%	00200-0090	
R560	CRJ10DJ0R0T	RES, CHIP 0 OHM/1608/5%	00200-0090	
R561	CRJ10DJ103T	RES, CHIP 10KOHM/1608/5%	00200-0096	
R562	CRJ10DJ103T	RES, CHIP 10KOHM/1608/5%	00200-0096	
R563	CRJ10DJ750T	RES, CHIP	1608 SIZE	
R564	CRJ10DJ181T	RES, CHIP 180 OHM/1608/5%	00200-0203	
R565	CRJ10DJ391T	RES, CHIP		
R566	CRJ10DJ223T	RES, CHIP 22KOHM/1608/5%	00200-0093	
R567	CRJ10DJ223T	RES, CHIP 22KOHM/1608/5%	00200-0093	
R568	CRJ10DJ223T	RES, CHIP 22KOHM/1608/5%	00200-0093	
R569	CRJ10DJ101T	RES, CHIP 100 OHM/1608/5%	00200-0100	
R570	CRJ10DJ101T	RES, CHIP 100 OHM/1608/5%	00200-0100	
R571	CRJ10DJ181T	RES, CHIP 180 OHM/1608/5%	00200-0203	
R572	CRJ10DJ181T	RES, CHIP 180 OHM/1608/5%	00200-0203	
R573	CRJ10DJ0R0T	RES, CHIP 0 OHM/1608/5%	00200-0090	
R574	CRJ10DJ0R0T	RES, CHIP 0 OHM/1608/5%	00200-0090	

SEQ.	PART NO.	DESCRIPTION	SPECIFICATION	REMARKS
R575	CRJ10DJ223T	RES, CHIP 22KOHM/1608/5%	00200-0093	
R576	CRJ10DJ223T	RES, CHIP 22KOHM/1608/5%	00200-0093	
R581	CRJ10DJ0R0T	RES, CHIP 0 OHM/1608/5%	00200-0090	
R582	CRJ10DJ223T	RES, CHIP 22KOHM/1608/5%	00200-0093	
R583	CRJ10DJ223T	RES, CHIP 22KOHM/1608/5%	00200-0093	
R584	CRJ10DJ223T	RES, CHIP 22KOHM/1608/5%	00200-0093	
R585	CRJ10DJ101T	RES, CHIP 100 OHM/1608/5%	00200-0100	
R586	CRJ10DJ101T	RES, CHIP 100 OHM/1608/5%	00200-0100	
R587	CRJ10DJ181T	RES, CHIP 180 OHM/1608/5%	00200-0203	
R588	CRJ10DJ181T	RES, CHIP 180 OHM/1608/5%	00200-0203	
R589	CRJ10DJ0R0T	RES, CHIP 0 OHM/1608/5%	00200-0090	
R590	CRJ10DJ0R0T	RES, CHIP 0 OHM/1608/5%	00200-0090	
R591	CRJ10DJ103T	RES, CHIP 10KOHM/1608/5%	00200-0096	
R592	CRJ10DJ103T	RES, CHIP 10KOHM/1608/5%	00200-0096	
R601	CRJ10DJ221T	RES, CHIP 220 OHM/1608/5%	00200-0101	
R602	CRJ10DJ221T	RES, CHIP 220 OHM/1608/5%	00200-0101	
R603	CRJ10DJ104T	RES, CHIP 100KOHM/1608/5%	00200-0097	
R604	CRJ10DJ104T	RES, CHIP 100KOHM/1608/5%	00200-0097	
R605	CRJ10DJ221T	RES, CHIP 220 OHM/1608/5%	00200-0101	
R606	CRJ10DJ221T	RES, CHIP 220 OHM/1608/5%	00200-0101	
R607	CRJ10DJ104T	RES, CHIP 100KOHM/1608/5%	00200-0097	
R608	CRJ10DJ104T	RES, CHIP 100KOHM/1608/5%	00200-0097	
R609	CRJ10DJ221T	RES, CHIP 220 OHM/1608/5%	00200-0101	
R610	CRJ10DJ221T	RES, CHIP 220 OHM/1608/5%	00200-0101	
R620	CRJ10DJ101T	RES, CHIP 100 OHM/1608/5%	00200-0100	
R621	CRJ10DJ101T	RES, CHIP 100 OHM/1608/5%	00200-0100	
R622	CRJ10DJ221T	RES, CHIP 220 OHM/1608/5%	00200-0101	
R623	CRJ10DJ221T	RES, CHIP 220 OHM/1608/5%	00200-0101	
R624	CRJ10DJ104T	RES, CHIP 100KOHM/1608/5%	00200-0097	
R625	CRJ10DJ104T	RES, CHIP 100KOHM/1608/5%	00200-0097	
R626	CRJ10DJ221T	RES, CHIP 220 OHM/1608/5%	00200-0101	
R627	CRJ10DJ221T	RES, CHIP 220 OHM/1608/5%	00200-0101	
R628	CRJ10DJ104T	RES, CHIP 100KOHM/1608/5%	00200-0097	
R629	CRJ10DJ104T	RES, CHIP 100KOHM/1608/5%	00200-0097	
R631	CRJ10DJ471T	RES, CHIP 470 OHM/1608/5%	00200-0088	
R632	CRJ10DJ471T	RES, CHIP 470 OHM/1608/5%	00200-0088	
R633	CRJ10DJ104T	RES, CHIP 100KOHM/1608/5%	00200-0097	
R634	CRJ10DJ104T	RES, CHIP 100KOHM/1608/5%	00200-0097	
R635	CRJ10DJ101T	RES, CHIP 100 OHM/1608/5%	00200-0100	
R636	CRJ10DJ101T	RES, CHIP 100 OHM/1608/5%	00200-0100	
R637	CRJ10DJ471T	RES, CHIP 470 OHM/1608/5%	00200-0088	
R638	CRJ10DJ471T	RES, CHIP 470 OHM/1608/5%	00200-0088	
R639	CRJ10DJ104T	RES, CHIP 100KOHM/1608/5%	00200-0097	
R640	CRJ10DJ104T	RES, CHIP 100KOHM/1608/5%	00200-0097	
R641	CRJ10DJ471T	RES, CHIP 470 OHM/1608/5%	00200-0088	
R642	CRJ10DJ471T	RES, CHIP 470 OHM/1608/5%	00200-0088	
R643	CRJ10DJ104T	RES, CHIP 100KOHM/1608/5%	00200-0097	
R644	CRJ10DJ104T	RES, CHIP 100KOHM/1608/5%	00200-0097	
R646	CRJ10DJ471T	RES, CHIP 470 OHM/1608/5%	00200-0088	
R647	CRJ10DJ471T	RES, CHIP 470 OHM/1608/5%	00200-0088	
R648	CRJ10DJ104T	RES, CHIP 100KOHM/1608/5%	00200-0097	
R649	CRJ10DJ104T	RES, CHIP 100KOHM/1608/5%	00200-0097	
R650	CRJ10DJ101T	RES, CHIP 100 OHM/1608/5%	00200-0100	
R651	CRJ10DJ101T	RES, CHIP 100 OHM/1608/5%	00200-0100	

SEQ.	PART NO.	DESCRIPTION	SPECIFICATION	REMARKS
R652	CRJ10DJ471T	RES, CHIP 470 OHM/1608/5%	00200-0088	
R653	CRJ10DJ471T	RES, CHIP 470 OHM/1608/5%	00200-0088	
R654	CRJ10DJ104T	RES, CHIP 100KOHM/1608/5%	00200-0097	
R655	CRJ10DJ104T	RES, CHIP 100KOHM/1608/5%	00200-0097	
R656	CRJ10DJ471T	RES, CHIP 470 OHM/1608/5%	00200-0088	
R657	CRJ10DJ471T	RES, CHIP 470 OHM/1608/5%	00200-0088	
R658	CRJ10DJ104T	RES, CHIP 100KOHM/1608/5%	00200-0097	
R659	CRJ10DJ104T	RES, CHIP 100KOHM/1608/5%	00200-0097	
R661	CRJ10DJ471T	RES, CHIP 470 OHM/1608/5%	00200-0088	
R662	CRJ10DJ471T	RES, CHIP 470 OHM/1608/5%	00200-0088	
R663	CRJ10DJ104T	RES, CHIP 100KOHM/1608/5%	00200-0097	
R664	CRJ10DJ104T	RES, CHIP 100KOHM/1608/5%	00200-0097	
R665	CRJ10DJ101T	RES, CHIP 100 OHM/1608/5%	00200-0100	
R666	CRJ10DJ101T	RES, CHIP 100 OHM/1608/5%	00200-0100	
R667	CRJ10DJ471T	RES, CHIP 470 OHM/1608/5%	00200-0088	
R668	CRJ10DJ471T	RES, CHIP 470 OHM/1608/5%	00200-0088	
R669	CRJ10DJ104T	RES, CHIP 100KOHM/1608/5%	00200-0097	
R670	CRJ10DJ104T	RES, CHIP 100KOHM/1608/5%	00200-0097	
R671	CRJ10DJ471T	RES, CHIP 470 OHM/1608/5%	00200-0088	
R672	CRJ10DJ471T	RES, CHIP 470 OHM/1608/5%	00200-0088	
R673	CRJ10DJ104T	RES, CHIP 100KOHM/1608/5%	00200-0097	
R674	CRJ10DJ104T	RES, CHIP 100KOHM/1608/5%	00200-0097	
R675	CRJ10DJ101T	RES, CHIP 100 OHM/1608/5%	00200-0100	
R676	CRJ10DJ101T	RES, CHIP 100 OHM/1608/5%	00200-0100	
R677	CRJ10DJ471T	RES, CHIP 470 OHM/1608/5%	00200-0088	
R678	CRJ10DJ471T	RES, CHIP 470 OHM/1608/5%	00200-0088	
R679	CRJ10DJ104T	RES, CHIP 100KOHM/1608/5%	00200-0097	
R680	CRJ10DJ104T	RES, CHIP 100KOHM/1608/5%	00200-0097	
R681	CRJ10DJ471T	RES, CHIP 470 OHM/1608/5%	00200-0088	
R682	CRJ10DJ471T	RES, CHIP 470 OHM/1608/5%	00200-0088	
R683	CRJ10DJ104T	RES, CHIP 100KOHM/1608/5%	00200-0097	
R684	CRJ10DJ104T	RES, CHIP 100KOHM/1608/5%	00200-0097	
R686	CRJ10DJ101T	RES, CHIP 100 OHM/1608/5%	00200-0100	
R687	CRJ10DJ101T	RES, CHIP 100 OHM/1608/5%	00200-0100	
R691	CRJ10DJ0R0T	RES, CHIP 0 OHM/1608/5%	00200-0090	
R692	CRJ10DJ0R0T	RES, CHIP 0 OHM/1608/5%	00200-0090	
R701	CRJ10DJ101T	RES, CHIP 100 OHM/1608/5%	00200-0100	
R702	CRJ10DJ101T	RES, CHIP 100 OHM/1608/5%	00200-0100	
R703	CRJ10DJ471T	RES, CHIP 470 OHM/1608/5%	00200-0088	
R704	CRJ10DJ471T	RES, CHIP 470 OHM/1608/5%	00200-0088	
R705	CRJ10DJ104T	RES, CHIP 100KOHM/1608/5%	00200-0097	
R706	CRJ10DJ104T	RES, CHIP 100KOHM/1608/5%	00200-0097	
R707	CRJ10DJ471T	RES, CHIP 470 OHM/1608/5%	00200-0088	
R708	CRJ10DJ471T	RES, CHIP 470 OHM/1608/5%	00200-0088	
R709	CRJ10DJ104T	RES, CHIP 100KOHM/1608/5%	00200-0097	
R710	CRJ10DJ104T	RES, CHIP 100KOHM/1608/5%	00200-0097	
R711	CRJ10DJ101T	RES, CHIP 100 OHM/1608/5%	00200-0100	
R712	CRJ10DJ101T	RES, CHIP 100 OHM/1608/5%	00200-0100	
R713	CRJ10DJ471T	RES, CHIP 470 OHM/1608/5%	00200-0088	
R714	CRJ10DJ471T	RES, CHIP 470 OHM/1608/5%	00200-0088	
R715	CRJ10DJ104T	RES, CHIP 100KOHM/1608/5%	00200-0097	
R716	CRJ10DJ104T	RES, CHIP 100KOHM/1608/5%	00200-0097	
R717	CRJ10DJ471T	RES, CHIP 470 OHM/1608/5%	00200-0088	
R718	CRJ10DJ471T	RES, CHIP 470 OHM/1608/5%	00200-0088	

SEQ.	PART NO.	DESCRIPTION	SPECIFICATION	REMARKS
R719	CRJ10DJ104T	RES, CHIP 100KOHM/1608/5%	00200-0097	
R720	CRJ10DJ104T	RES, CHIP 100KOHM/1608/5%	00200-0097	
R721	CRJ10DJ471T	RES, CHIP 470 OHM/1608/5%	00200-0088	
R722	CRJ10DJ471T	RES, CHIP 470 OHM/1608/5%	00200-0088	
R723	CRJ10DJ104T	RES, CHIP 100KOHM/1608/5%	00200-0097	
R724	CRJ10DJ104T	RES, CHIP 100KOHM/1608/5%	00200-0097	
R726	CRJ10DJ101T	RES, CHIP 100 OHM/1608/5%	00200-0100	
R727	CRJ10DJ101T	RES, CHIP 100 OHM/1608/5%	00200-0100	
R728	CRJ10DJ101T	RES, CHIP 100 OHM/1608/5%	00200-0100	
R729	CRJ10DJ101T	RES, CHIP 100 OHM/1608/5%	00200-0100	
R730	CRJ10DJ471T	RES, CHIP 470 OHM/1608/5%	00200-0088	
R731	CRJ10DJ471T	RES, CHIP 470 OHM/1608/5%	00200-0088	
R732	CRJ10DJ104T	RES, CHIP 100KOHM/1608/5%	00200-0097	
R733	CRJ10DJ104T	RES, CHIP 100KOHM/1608/5%	00200-0097	
R734	CRJ10DJ471T	RES, CHIP 470 OHM/1608/5%	00200-0088	
R735	CRJ10DJ471T	RES, CHIP 470 OHM/1608/5%	00200-0088	
R736	CRJ10DJ104T	RES, CHIP 100KOHM/1608/5%	00200-0097	
R737	CRJ10DJ104T	RES, CHIP 100KOHM/1608/5%	00200-0097	
R741	CRJ10DJ101T	RES, CHIP 100 OHM/1608/5%	00200-0100	
R742	CRJ10DJ101T	RES, CHIP 100 OHM/1608/5%	00200-0100	
R743	CRJ10DJ101T	RES, CHIP 100 OHM/1608/5%	00200-0100	
R744	CRJ10DJ101T	RES, CHIP 100 OHM/1608/5%	00200-0100	
R745	CRJ10DJ471T	RES, CHIP 470 OHM/1608/5%	00200-0088	
R746	CRJ10DJ471T	RES, CHIP 470 OHM/1608/5%	00200-0088	
R747	CRJ10DJ104T	RES, CHIP 100KOHM/1608/5%	00200-0097	
R748	CRJ10DJ104T	RES, CHIP 100KOHM/1608/5%	00200-0097	
R749	CRJ10DJ471T	RES, CHIP 470 OHM/1608/5%	00200-0088	
R750	CRJ10DJ471T	RES, CHIP 470 OHM/1608/5%	00200-0088	
R751	CRJ10DJ104T	RES, CHIP 100KOHM/1608/5%	00200-0097	
R752	CRJ10DJ104T	RES, CHIP 100KOHM/1608/5%	00200-0097	
R753	CRJ10DJ101T	RES, CHIP 100 OHM/1608/5%	00200-0100	
R754	CRJ10DJ101T	RES, CHIP 100 OHM/1608/5%	00200-0100	
R755	CRJ10DJ471T	RES, CHIP 470 OHM/1608/5%	00200-0088	
R756	CRJ10DJ471T	RES, CHIP 470 OHM/1608/5%	00200-0088	
R757	CRJ10DJ104T	RES, CHIP 100KOHM/1608/5%	00200-0097	
R758	CRJ10DJ104T	RES, CHIP 100KOHM/1608/5%	00200-0097	
R759	CRJ10DJ471T	RES, CHIP 470 OHM/1608/5%	00200-0088	
R760	CRJ10DJ471T	RES, CHIP 470 OHM/1608/5%	00200-0088	
R761	CRJ10DJ104T	RES, CHIP 100KOHM/1608/5%	00200-0097	
R762	CRJ10DJ104T	RES, CHIP 100KOHM/1608/5%	00200-0097	
R801	CRJ10DJ680T	RES , CHIP		
R802	CRJ10DJ680T	RES , CHIP		
R803	CRJ10DJ680T	RES , CHIP		
R804	CRJ10DJ680T	RES , CHIP		
R805	CRJ10DJ680T	RES , CHIP		
R806	CRJ10DJ680T	RES , CHIP		
R807	CRJ10DJ680T	RES , CHIP		
R808	CRJ10DJ680T	RES , CHIP		
R809	CRJ10DJ680T	RES , CHIP		
R810	CRJ10DJ680T	RES , CHIP		
R811	CRJ10DJ680T	RES , CHIP		
R812	CRJ10DJ680T	RES , CHIP		
R813	CRJ10DJ220T	RES , CHIP	1608 SIZE	
R815	CRJ10DJ105T	RES, CHIP 1MOHM/1608/5%	00200-0095	

SEQ.	PART NO.	DESCRIPTION	SPECIFICATION	REMARKS
R821	CRJ10DJ101T	RES, CHIP 100 OHM/1608/5%	00200-0100	
R822	CRJ10DJ101T	RES, CHIP 100 OHM/1608/5%	00200-0100	
R825	CRJ10DJ105T	RES, CHIP 1MOHM/1608/5%	00200-0095	
R826	CRJ10DJ105T	RES, CHIP 1MOHM/1608/5%	00200-0095	
R827	CRJ10DJ220T	RES , CHIP	1608 SIZE	
R828	CRJ10DJ0R0T	RES, CHIP 0 OHM/1608/5%	00200-0090	
R830	CRJ10DJ105T	RES, CHIP 1MOHM/1608/5%	00200-0095	
R841	CRJ10DJ0R0T	RES, CHIP 0 OHM/1608/5%	00200-0090	
R842	CRJ10DJ223T	RES, CHIP 22KOHM/1608/5%	00200-0093	
R843	CRJ10DJ223T	RES, CHIP 22KOHM/1608/5%	00200-0093	
R844	CRJ10DJ223T	RES, CHIP 22KOHM/1608/5%	00200-0093	
R845	CRJ10DJ101T	RES, CHIP 100 OHM/1608/5%	00200-0100	
R846	CRJ10DJ101T	RES, CHIP 100 OHM/1608/5%	00200-0100	
R847	CRJ10DJ181T	RES, CHIP 180 OHM/1608/5%	00200-0203	
R848	CRJ10DJ181T	RES, CHIP 180 OHM/1608/5%	00200-0203	
R849	CRJ10DJ101T	RES, CHIP 100 OHM/1608/5%	00200-0100	
R850	CRJ10DJ0R0T	RES, CHIP 0 OHM/1608/5%	00200-0090	
R851	CRJ10DJ101T	RES, CHIP 100 OHM/1608/5%	00200-0100	
R852	CRJ10DJ103T	RES, CHIP 10KOHM/1608/5%	00200-0096	
R853	CRJ10DJ0R0T	RES, CHIP 0 OHM/1608/5%	00200-0090	
R854	CRJ10DJ0R0T	RES, CHIP 0 OHM/1608/5%	00200-0090	
R855	CRJ10DJ0R0T	RES, CHIP 0 OHM/1608/5%	00200-0090	
R856	CRJ10DJ103T	RES, CHIP 10KOHM/1608/5%	00200-0096	
R857	CRJ10DJ820T	RES , CHIP	1608 SIZE	
R858	CRJ10DJ101T	RES, CHIP 100 OHM/1608/5%	00200-0100	
R859	CRJ10DJ103T	RES, CHIP 10KOHM/1608/5%	00200-0096	
R860	CRJ10DJ470T	RES, CHIP 47 OHM/1608/5%	00200-0098	
R861	CRJ10DJ103T	RES, CHIP 10KOHM/1608/5%	00200-0096	
R862	CRJ10DJ820T	RES , CHIP	1608 SIZE	
R863	CRJ10DJ101T	RES, CHIP 100 OHM/1608/5%	00200-0100	
R864	CRJ10DJ103T	RES, CHIP 10KOHM/1608/5%	00200-0096	
R865	CRJ10DJ470T	RES, CHIP 47 OHM/1608/5%	00200-0098	
R871	CRJ10DJ0R0T	RES, CHIP 0 OHM/1608/5%	00200-0090	
R872	CRJ10DJ103T	RES, CHIP 10KOHM/1608/5%	00200-0096	
R873	CRJ10DJ820T	RES , CHIP	1608 SIZE	
R874	CRJ10DJ101T	RES, CHIP 100 OHM/1608/5%	00200-0100	
R875	CRJ10DJ103T	RES, CHIP 10KOHM/1608/5%	00200-0096	
R876	CRJ10DJ470T	RES, CHIP 47 OHM/1608/5%	00200-0098	
R881	CRJ10DJ103T	RES, CHIP 10KOHM/1608/5%	00200-0096	
R882	CRJ10DJ103T	RES, CHIP 10KOHM/1608/5%	00200-0096	
R883	CRJ10DJ560T	RES, CHIP 56PF/1608/5%	00200-2029	
R884	CRJ10DJ820T	RES , CHIP	1608 SIZE	
R885	CRJ10DJ0R0T	RES, CHIP 0 OHM/1608/5%	00200-0090	
R886	CRJ10DJ0R0T	RES, CHIP 0 OHM/1608/5%	00200-0090	
R887	CRJ10DJ223T	RES, CHIP 22KOHM/1608/5%	00200-0093	
R888	CRJ10DJ223T	RES, CHIP 22KOHM/1608/5%	00200-0093	
R889	CRJ10DJ101T	RES, CHIP 100 OHM/1608/5%	00200-0100	
R890	CRJ10DJ101T	RES, CHIP 100 OHM/1608/5%	00200-0100	
R891	CRJ10DJ100T	RES , CHIP	1608 SIZE	
R892	CRJ10DJ100T	RES , CHIP	1608 SIZE	
R945	CRJ10DJ0R0T	RES, CHIP 0 OHM/1608/5%	00200-0090	
R947	CRJ10DJ0R0T	RES, CHIP 0 OHM/1608/5%	00200-0090	
R949	CRJ10DJ0R0T	RES, CHIP 0 OHM/1608/5%	00200-0090	
R951	CRJ10DJ471T	RES, CHIP 470 OHM/1608/5%	00200-0088	

SEQ.	PART NO.	DESCRIPTION	SPECIFICATION	REMARKS
R952	CRJ10DJ471T	RES, CHIP 470 OHM/1608/5%	00200-0088	
R961	CRJ10DJ471T	RES, CHIP 470 OHM/1608/5%	00200-0088	
R962	CRJ10DJ471T	RES, CHIP 470 OHM/1608/5%	00200-0088	
R963	CRJ10DJ104T	RES, CHIP 100KOHM/1608/5%	00200-0097	
R964	CRJ10DJ104T	RES, CHIP 100KOHM/1608/5%	00200-0097	
R965	CRJ10DJ101T	RES, CHIP 100 OHM/1608/5%	00200-0100	
R966	CRJ10DJ101T	RES, CHIP 100 OHM/1608/5%	00200-0100	
R967	CRJ10DJ471T	RES, CHIP 470 OHM/1608/5%	00200-0088	
R968	CRJ10DJ471T	RES, CHIP 470 OHM/1608/5%	00200-0088	
R969	CRJ10DJ104T	RES, CHIP 100KOHM/1608/5%	00200-0097	
R970	CRJ10DJ104T	RES, CHIP 100KOHM/1608/5%	00200-0097	
R971	CRJ10DJ101T	RES, CHIP 100 OHM/1608/5%	00200-0100	
R972	CRJ10DJ101T	RES, CHIP 100 OHM/1608/5%	00200-0100	
R973	CRJ10DJ471T	RES, CHIP 470 OHM/1608/5%	00200-0088	
R974	CRJ10DJ471T	RES, CHIP 470 OHM/1608/5%	00200-0088	
R975	CRJ10DJ104T	RES, CHIP 100KOHM/1608/5%	00200-0097	
R976	CRJ10DJ104T	RES, CHIP 100KOHM/1608/5%	00200-0097	
R977	CRJ10DJ221T	RES, CHIP 220 OHM/1608/5%	00200-0101	
R978	CRJ10DJ221T	RES, CHIP 220 OHM/1608/5%	00200-0101	
R979	CRJ10DJ104T	RES, CHIP 100KOHM/1608/5%	00200-0097	
R980	CRJ10DJ104T	RES, CHIP 100KOHM/1608/5%	00200-0097	
R981	CRJ10DJ822T	RES , CHIP	1608 SIZE	
R982	CRJ10DJ102T	RES, CHIP 1KOHM/1608/5%	00200-0094	
R983	CRJ10DJ102T	RES, CHIP 1KOHM/1608/5%	00200-0094	
R984	CRJ10DJ152T	RES, CHIP 1.5KOHM/1608/5%	00200-0119	
R985	CRJ10DJ471T	RES, CHIP 470 OHM/1608/5%	00200-0088	
R986	CRJ10DJ471T	RES, CHIP 470 OHM/1608/5%	00200-0088	
R987	CRJ10DJ104T	RES, CHIP 100KOHM/1608/5%	00200-0097	
R988	CRJ10DJ104T	RES, CHIP 100KOHM/1608/5%	00200-0097	
C102	CCEA1HH1R0T	CAP, ELE 1UF/50V/-40~+85	00107-1015	
C103	CCEA1HH1R0T	CAP, ELE 1UF/50V/-40~+85	00107-1015	
C112	CCEA1CH100T	CAP, ELE 10UF/16V/-40~+86	00107-1027	
C116	CCEA1HH1R0T	CAP, ELE 1UF/50V/-40~+85	00107-1015	
C118	CCEA1AH471T	CAP, ELECT 470UF/10V/-40~+85	00107-1001	
C194	CCEA0JH102T	CAP , ELECT	1000UF 6.3V	
C195	CCEA1AH471T	CAP, ELECT 470UF/10V/-40~+85	00107-1001	
C196	CCEA1HH1R0T	CAP, ELE 1UF/50V/-40~+85	00107-1015	
C232	CCEA1CH100T	CAP, ELE 10UF/16V/-40~+86	00107-1027	
C237	CCEA1CH100T	CAP, ELE 10UF/16V/-40~+86	00107-1027	
C241	CCEA1CH100T	CAP, ELE 10UF/16V/-40~+86	00107-1027	
C245	CCEA1CH100T	CAP, ELE 10UF/16V/-40~+86	00107-1027	
C247	CCEA1CH100T	CAP, ELE 10UF/16V/-40~+86	00107-1027	
C278	CCEA1CH470T	CAP, ELE 47UF/16V/-40~+85	00107-1007	
C295	CCEA1CH100T	CAP, ELE 10UF/16V/-40~+86	00107-1027	
C296	CCEA1CH101T	CAP, ELE 100UF/16V/-40~+85	00107-1003	
C315	CCEA1CH100T	CAP, ELE 10UF/16V/-40~+86	00107-1027	
C316	CCEA1CH100T	CAP, ELE 10UF/16V/-40~+86	00107-1027	
C321	CCEA1CH100T	CAP, ELE 10UF/16V/-40~+86	00107-1027	
C323	CCEA1AH471T	CAP, ELECT 470UF/10V/-40~+85	00107-1001	
C324	CCEA1CH100T	CAP, ELE 10UF/16V/-40~+86	00107-1027	
C325	CCEA1CH100T	CAP, ELE 10UF/16V/-40~+86	00107-1027	
C328	CCEA1AH471T	CAP, ELECT 470UF/10V/-40~+85	00107-1001	
C333	CCEA1AH471T	CAP, ELECT 470UF/10V/-40~+85	00107-1001	
C334	CCEA1CH100T	CAP, ELE 10UF/16V/-40~+86	00107-1027	

SEQ.	PART NO.	DESCRIPTION	SPECIFICATION	REMARKS
C335	CCEA1CH100T	CAP, ELE 10UF/16V/-40~+86	00107-1027	
C338	CCEA1AH471T	CAP, ELECT 470UF/10V/-40~+85	00107-1001	
C340	CCEA1CH470T	CAP, ELE 47UF/16V/-40~+85	00107-1007	
C343	CCEA1AH471T	CAP, ELECT 470UF/10V/-40~+85	00107-1001	
C344	CCEA1CH100T	CAP, ELE 10UF/16V/-40~+86	00107-1027	
C345	CCEA1CH100T	CAP, ELE 10UF/16V/-40~+86	00107-1027	
C348	CCEA1AH471T	CAP, ELECT 470UF/10V/-40~+85	00107-1001	
C349	CCEA1CH220T	CAP , ELECT		
C350	CCEA1CH220T	CAP , ELECT		
C352	CCEA1CH100T	CAP, ELE 10UF/16V/-40~+86	00107-1027	
C372	CCEA1CH470T	CAP, ELE 47UF/16V/-40~+85	00107-1007	
C378	CCEA1CH101T	CAP, ELE 100UF/16V/-40~+85	00107-1003	
C501	CCEA1CH101T	CAP, ELE 100UF/16V/-40~+85	00107-1003	
C506	CCEA1CH100T	CAP, ELE 10UF/16V/-40~+86	00107-1027	
C507	CCEA1CH100T	CAP, ELE 10UF/16V/-40~+86	00107-1027	
C516	CCEA1CH100T	CAP, ELE 10UF/16V/-40~+86	00107-1027	
C517	CCEA1CH100T	CAP, ELE 10UF/16V/-40~+86	00107-1027	
C521	CCEA1CH101T	CAP, ELE 100UF/16V/-40~+85	00107-1003	
C526	CCEA1CH100T	CAP, ELE 10UF/16V/-40~+86	00107-1027	
C527	CCEA1CH100T	CAP, ELE 10UF/16V/-40~+86	00107-1027	
C536	CCEA1CH101T	CAP, ELE 100UF/16V/-40~+85	00107-1003	
C541	CCEA1CH100T	CAP, ELE 10UF/16V/-40~+86	00107-1027	
C542	CCEA1CH100T	CAP, ELE 10UF/16V/-40~+86	00107-1027	
C552	CCEA1CH101T	CAP, ELE 100UF/16V/-40~+85	00107-1003	
C557	CCEA1CH101T	CAP, ELE 100UF/16V/-40~+85	00107-1003	
C558	CCEA1CH101T	CAP, ELE 100UF/16V/-40~+85	00107-1003	
C566	CCEA1CH101T	CAP, ELE 100UF/16V/-40~+85	00107-1003	
C571	CCEA1CH101T	CAP, ELE 100UF/16V/-40~+85	00107-1003	
C572	CCEA1CH101T	CAP, ELE 100UF/16V/-40~+85	00107-1003	
C582	CCEA1CH101T	CAP, ELE 100UF/16V/-40~+85	00107-1003	
C587	CCEA1CH100T	CAP, ELE 10UF/16V/-40~+86	00107-1027	
C588	CCEA1CH100T	CAP, ELE 10UF/16V/-40~+86	00107-1027	
C686	CCEA1CH470T	CAP, ELE 47UF/16V/-40~+85	00107-1007	
C687	CCEA1CH470T	CAP, ELE 47UF/16V/-40~+85	00107-1007	
C726	CCEA1CH470T	CAP, ELE 47UF/16V/-40~+85	00107-1007	
C727	CCEA1CH470T	CAP, ELE 47UF/16V/-40~+85	00107-1007	
C741	CCEA1CH470T	CAP, ELE 47UF/16V/-40~+85	00107-1007	
C742	CCEA1CH470T	CAP, ELE 47UF/16V/-40~+85	00107-1007	
C749	CCEA1CH100T	CAP, ELE 10UF/16V/-40~+86	00107-1027	
C750	CCEA1CH100T	CAP, ELE 10UF/16V/-40~+86	00107-1027	
C803	CCEA1AH471T	CAP, ELECT 470UF/10V/-40~+85	00107-1001	
C804	CCEA1AH471T	CAP, ELECT 470UF/10V/-40~+85	00107-1001	
C809	CCEA1AH471T	CAP, ELECT 470UF/10V/-40~+85	00107-1001	
C810	CCEA1AH471T	CAP, ELECT 470UF/10V/-40~+85	00107-1001	
C813	CCEA1CH100T	CAP, ELE 10UF/16V/-40~+86	00107-1027	
C823	CCEA1CH470T	CAP, ELE 47UF/16V/-40~+85	00107-1007	
C824	CCEA1CH470T	CAP, ELE 47UF/16V/-40~+85	00107-1007	
C825	CCEA1CH101T	CAP, ELE 100UF/16V/-40~+85	00107-1003	
C826	CCEA1CH101T	CAP, ELE 100UF/16V/-40~+85	00107-1003	
C827	CCEA1CH100T	CAP, ELE 10UF/16V/-40~+86	00107-1027	
C842	CCEA1CH101T	CAP, ELE 100UF/16V/-40~+85	00107-1003	
C847	CCEA1AH471T	CAP, ELECT 470UF/10V/-40~+85	00107-1001	
C848	CCEA1AH471T	CAP, ELECT 470UF/10V/-40~+85	00107-1001	
C858	CCEA1AH471T	CAP, ELECT 470UF/10V/-40~+85	00107-1001	

SEQ.	PART NO.	DESCRIPTION	SPECIFICATION	REMARKS
C863	CCEA1AH471T	CAP, ELECT 470UF/10V/-40~+85	00107-1001	
C874	CCEA1AH471T	CAP, ELECT 470UF/10V/-40~+85	00107-1001	
C881	CCEA1AH471T	CAP, ELECT 470UF/10V/-40~+85	00107-1001	
C882	CCEA1AH471T	CAP, ELECT 470UF/10V/-40~+85	00107-1001	
C931	CCEA1CH101T	CAP, ELE 100UF/16V/-40~+85	00107-1003	
C965	CCEA1CH100T	CAP, ELE 10UF/16V/-40~+86	00107-1027	
C966	CCEA1CH100T	CAP, ELE 10UF/16V/-40~+86	00107-1027	
C973	CCEA1CH100T	CAP, ELE 10UF/16V/-40~+86	00107-1027	
C974	CCEA1CH100T	CAP, ELE 10UF/16V/-40~+86	00107-1027	
D101	HVD1SS133MT	DIODE	1SS133T-77	
D103	HVD1SS133MT	DIODE	1SS133T-77	
D241	HVDMTZJ3.3BT	DIODE , ZENER	3.3V 1/2W	
D363	HVD1SS133MT	DIODE	1SS133T-77	
D801	HVDMTZJ6.2BT	DIODE , ZENER		
D802	HVDMTZJ6.2BT	DIODE , ZENER		
D807	HVDMTZJ6.2BT	DIODE , ZENER		
D808	HVDMTZJ6.2BT	DIODE , ZENER		
D983	HVD1SS133MT	DIODE	1SS133T-77	
	CMD1A387	BRACKET , PCB		
BN91	CWB1B905150NE	WIRE ASS'Y		
BN92	CWB1E908100BM	WIRE ASS'Y		
BN93	CWB1C907100NE	WIRE ASS'Y		
CN15	CJP04GA01ZY	WAFER, STRAIGHT, 4PIN		
CN22	CJP23GA117ZY	CARD CABLE , WAFER		
CN54	CJP06GA19ZY	WAFER, STRAIGHT, 6PIN		
CN81	CJP07GA19ZY	WAFER, STRAIGHT, 7PIN		
CW11	CJP11GA19ZY	WAFER, STRAIGHT, 11PIN		
CW12	CJP09GA19ZY	WAFER, STRAIGHT, 9PIN	00906-0030	
CW32	CJP24GA147ZW	24 DUAL WAFER	JWT	
CW33	CJP24GA147ZW	24 DUAL WAFER	JWT	
CW53	CJP11GA19ZY	WAFER, STRAIGHT, 11PIN		
CW71	KJP19GA117ZG	WAFER , C.CABLE		
JK22	KJP42GA112ZM	RGB , SCART CONNECTOR		
JK31	CJJ4M041Z	JACK , BOARD (COAX)		
JK44	CJJ4L003Y	JACK , BOARD (9P) GOLD	QRW-7500	
JK45	HJSTOTX179L	MODULE , OPTICAL(TX)	TOTX179L	
JK53	KJJ9L002Z	IEEE-1394 CONNECTOR	54516-0461	
JK86	CJJ9N003Z	JACK , (S-VIDEO+VHS)		
X121	HOX04000E150C	CRYSTAL , 4MHZ		

SEQ.	PART NO.	DESCRIPTION	SPECIFICATION	REMARKS
	CIP11717BSMD	RW MAIN PCB SMD ASS'Y	QRW-7500	
	CIP11717BBSMD	RW MAIN PCB BOTTOM SMD ASS'Y	QRW-7500	
C016	HCUS1H103KC	CAP , CHIP		
C023	HCUS1E104ZF	CAP , CHIP , 0.1UF ZF	1608 SIZE	
C027	HCUS1E104ZF	CAP , CHIP , 0.1UF ZF	1608 SIZE	
C029	HCUS1E104ZF	CAP , CHIP , 0.1UF ZF	1608 SIZE	
C032	HCUS1E104ZF	CAP , CHIP , 0.1UF ZF	1608 SIZE	
C033	HCUS1E104ZF	CAP , CHIP , 0.1UF ZF	1608 SIZE	
C037	HCUS1H103KC	CAP , CHIP		
C051	HCUS1E104ZF	CAP , CHIP , 0.1UF ZF	1608 SIZE	
C053	HCUS1E104ZF	CAP , CHIP , 0.1UF ZF	1608 SIZE	
C054	HCUS1H680JA	CAP , CHIP		
C055	HCUS1H680JA	CAP , CHIP		
C056	HCUS1E104ZF	CAP , CHIP , 0.1UF ZF	1608 SIZE	
C057	HCUS1H221JA	CAP , CHIP		
C058	HCUS1H680JA	CAP , CHIP		
C059	HCUS1H221JA	CAP , CHIP		
C060	HCUS1H221JA	CAP , CHIP		
C061	HCUS1E104ZF	CAP , CHIP , 0.1UF ZF	1608 SIZE	
C062	HCUS1H680JA	CAP , CHIP		
C063	HCUS1H680JA	CAP , CHIP		
C064	HCUS1E104ZF	CAP , CHIP , 0.1UF ZF	1608 SIZE	
C065	HCUS1H103KC	CAP , CHIP		
C066	HCUS1E104ZF	CAP , CHIP , 0.1UF ZF	1608 SIZE	
C067	HCUS1H680JA	CAP , CHIP		
C068	HCUS1C224ZF	CAP , CHIP		
C069	HCUS1C224ZF	CAP , CHIP		
C070	HCUS1E104ZF	CAP , CHIP , 0.1UF ZF	1608 SIZE	
C071	HCUS1C224ZF	CAP , CHIP		
C072	HCUS1H470JA	CAP , CHIP		
C073	HCUS1H103KC	CAP , CHIP		
C074	HCUS1E104ZF	CAP , CHIP , 0.1UF ZF	1608 SIZE	
C075	HCUS1E104ZF	CAP , CHIP , 0.1UF ZF	1608 SIZE	
C076	HCUS1H102KC	CAP , CHIP		
C077	HCUS1E104ZF	CAP , CHIP , 0.1UF ZF	1608 SIZE	
C078	HCUS1H102KC	CAP , CHIP		
C079	HCUS1E104ZF	CAP , CHIP , 0.1UF ZF	1608 SIZE	
C080	HCUS1E104ZF	CAP , CHIP , 0.1UF ZF	1608 SIZE	
C081	HCUS1H103KC	CAP , CHIP		
C082	HCUS1E104ZF	CAP , CHIP , 0.1UF ZF	1608 SIZE	
C083	HCUS1H470JA	CAP , CHIP		
C084	HCUS1E104ZF	CAP , CHIP , 0.1UF ZF	1608 SIZE	
C085	HCUS1E104ZF	CAP , CHIP , 0.1UF ZF	1608 SIZE	
C086	HCUS1H103KC	CAP , CHIP		
C087	HCUS1E104ZF	CAP , CHIP , 0.1UF ZF	1608 SIZE	
C088	HCUS1E104ZF	CAP , CHIP , 0.1UF ZF	1608 SIZE	
C089	HCUS1H103KC	CAP , CHIP		
C090	HCUS1H103KC	CAP , CHIP		
C091	HCUS1H102KC	CAP , CHIP		
C092	HCUS1H102KC	CAP , CHIP		
C093	HCUS1E104ZF	CAP , CHIP , 0.1UF ZF	1608 SIZE	
C094	HCUS1H470JA	CAP , CHIP		
C095	HCUS1E104ZF	CAP , CHIP , 0.1UF ZF	1608 SIZE	
C096	HCUS1E104ZF	CAP , CHIP , 0.1UF ZF	1608 SIZE	

SEQ.	PART NO.	DESCRIPTION	SPECIFICATION	REMARKS
C097	HCUS1E104ZF	CAP , CHIP , 0.1UF ZF	1608 SIZE	
C098	HCUS1E104ZF	CAP , CHIP , 0.1UF ZF	1608 SIZE	
C099	HCUS1E104ZF	CAP , CHIP , 0.1UF ZF	1608 SIZE	
C100	HCUS1H103KC	CAP , CHIP		
C101	HCUS1E104ZF	CAP , CHIP , 0.1UF ZF	1608 SIZE	
C102	HCUS1E104ZF	CAP , CHIP , 0.1UF ZF	1608 SIZE	
C103	HCUS1H103KC	CAP , CHIP		
C104	HCUS1H103KC	CAP , CHIP		
C105	HCUS1E104ZF	CAP , CHIP , 0.1UF ZF	1608 SIZE	
C106	HCUS1H102KC	CAP , CHIP		
C107	HCUS1E104ZF	CAP , CHIP , 0.1UF ZF	1608 SIZE	
C108	HCUS1E104ZF	CAP , CHIP , 0.1UF ZF	1608 SIZE	
C109	HCUS1E104ZF	CAP , CHIP , 0.1UF ZF	1608 SIZE	
C110	HCUS1E104ZF	CAP , CHIP , 0.1UF ZF	1608 SIZE	
C111	HCUS1H103KC	CAP , CHIP		
C112	HCUS1E104ZF	CAP , CHIP , 0.1UF ZF	1608 SIZE	
C113	HCUS1E104ZF	CAP , CHIP , 0.1UF ZF	1608 SIZE	
C114	HCUS1E104ZF	CAP , CHIP , 0.1UF ZF	1608 SIZE	
C115	HCUS1H102KC	CAP , CHIP		
C116	HCUS1E104ZF	CAP , CHIP , 0.1UF ZF	1608 SIZE	
C117	HCUS1H102KC	CAP , CHIP		
C118	HCUS1E104ZF	CAP , CHIP , 0.1UF ZF	1608 SIZE	
C119	HCUS1H103KC	CAP , CHIP		
C120	HCUS1H103KC	CAP , CHIP		
C121	HCUS1E104ZF	CAP , CHIP , 0.1UF ZF	1608 SIZE	
C122	HCUS1E104ZF	CAP , CHIP , 0.1UF ZF	1608 SIZE	
C123	HCUS1E104ZF	CAP , CHIP , 0.1UF ZF	1608 SIZE	
C124	HCUS1E104ZF	CAP , CHIP , 0.1UF ZF	1608 SIZE	
C125	HCUS1H102KC	CAP , CHIP		
C126	HCUS1H103KC	CAP , CHIP		
C127	HCUS1E104ZF	CAP , CHIP , 0.1UF ZF	1608 SIZE	
C128	HCUS1H102KC	CAP , CHIP		
C129	HCUS1E104ZF	CAP , CHIP , 0.1UF ZF	1608 SIZE	
C130	HCUS1E104ZF	CAP , CHIP , 0.1UF ZF	1608 SIZE	
C131	HCUS1H103KC	CAP , CHIP		
C132	HCUS1E104ZF	CAP , CHIP , 0.1UF ZF	1608 SIZE	
C133	HCUS1H103KC	CAP , CHIP		
C134	HCUS1E104ZF	CAP , CHIP , 0.1UF ZF	1608 SIZE	
C135	HCUS1E104ZF	CAP , CHIP , 0.1UF ZF	1608 SIZE	
C136	HCUS1E104ZF	CAP , CHIP , 0.1UF ZF	1608 SIZE	
C137	HCUS1H102KC	CAP , CHIP		
C138	HCUS1H102KC	CAP , CHIP		
C139	HCUS1E104ZF	CAP , CHIP , 0.1UF ZF	1608 SIZE	
C140	HCUS1E104ZF	CAP , CHIP , 0.1UF ZF	1608 SIZE	
C141	HCUS1H103KC	CAP , CHIP		
C142	HCUS1E104ZF	CAP , CHIP , 0.1UF ZF	1608 SIZE	
C143	HCUS1E104ZF	CAP , CHIP , 0.1UF ZF	1608 SIZE	
C144	HCUS1E104ZF	CAP , CHIP , 0.1UF ZF	1608 SIZE	
C145	HCUS1E104ZF	CAP , CHIP , 0.1UF ZF	1608 SIZE	
C146	HCUS1E104ZF	CAP , CHIP , 0.1UF ZF	1608 SIZE	
C147	HCUS1H102KC	CAP , CHIP		
C148	HCUS1E104ZF	CAP , CHIP , 0.1UF ZF	1608 SIZE	
C149	HCUS1E104ZF	CAP , CHIP , 0.1UF ZF	1608 SIZE	
C150	HCUS1H102KC	CAP , CHIP		

SEQ.	PART NO.	DESCRIPTION	SPECIFICATION	REMARKS
C151	HCUS1E104ZF	CAP , CHIP , 0.1UF ZF	1608 SIZE	
C152	HCUS1E104ZF	CAP , CHIP , 0.1UF ZF	1608 SIZE	
C153	HCUS1E104ZF	CAP , CHIP , 0.1UF ZF	1608 SIZE	
C154	HCUS1E104ZF	CAP , CHIP , 0.1UF ZF	1608 SIZE	
C155	HCUS1E104ZF	CAP , CHIP , 0.1UF ZF	1608 SIZE	
C156	HCUS1E104ZF	CAP , CHIP , 0.1UF ZF	1608 SIZE	
C157	HCUS1H102KC	CAP , CHIP		
C158	HCUS1H103KC	CAP , CHIP		
C159	HCUS1H103KC	CAP , CHIP		
C160	HCUS1E104ZF	CAP , CHIP , 0.1UF ZF	1608 SIZE	
C161	HCUS1H102KC	CAP , CHIP		
C162	HCUS1E104ZF	CAP , CHIP , 0.1UF ZF	1608 SIZE	
C163	HCUS1H102KC	CAP , CHIP		
C164	HCUS1E104ZF	CAP , CHIP , 0.1UF ZF	1608 SIZE	
C165	HCUS1H102KC	CAP , CHIP		
C166	HCUS1E104ZF	CAP , CHIP , 0.1UF ZF	1608 SIZE	
C167	HCUS1H102KC	CAP , CHIP		
C168	HCUS1E104ZF	CAP , CHIP , 0.1UF ZF	1608 SIZE	
C169	HCUS1E104ZF	CAP , CHIP , 0.1UF ZF	1608 SIZE	
C170	HCUS1E104ZF	CAP , CHIP , 0.1UF ZF	1608 SIZE	
C171	HCUS1H103KC	CAP , CHIP		
C172	HCUS1H103KC	CAP , CHIP		
C173	HCUS1E104ZF	CAP , CHIP , 0.1UF ZF	1608 SIZE	
C174	HCUS1E104ZF	CAP , CHIP , 0.1UF ZF	1608 SIZE	
C175	HCUS1E104ZF	CAP , CHIP , 0.1UF ZF	1608 SIZE	
C176	HCUS1H102KC	CAP , CHIP		
C177	HCUS1E104ZF	CAP , CHIP , 0.1UF ZF	1608 SIZE	
C178	HCUS1E104ZF	CAP , CHIP , 0.1UF ZF	1608 SIZE	
C179	HCUS1H103KC	CAP , CHIP		
C180	HCUS1E104ZF	CAP , CHIP , 0.1UF ZF	1608 SIZE	
C181	HCUS1E104ZF	CAP , CHIP , 0.1UF ZF	1608 SIZE	
C182	HCUS1E104ZF	CAP , CHIP , 0.1UF ZF	1608 SIZE	
C183	HCUS1H102KC	CAP , CHIP		
C184	HCUS1H103KC	CAP , CHIP		
C185	HCUS1E104ZF	CAP , CHIP , 0.1UF ZF	1608 SIZE	
C186	HCUS1E104ZF	CAP , CHIP , 0.1UF ZF	1608 SIZE	
C187	HCUS1H332KC	CAP , CHIP	1608 SIZE	
C188	HCUS1H103KC	CAP , CHIP		
C189	HCUS1H102KC	CAP , CHIP		
C190	HCUS1E104ZF	CAP , CHIP , 0.1UF ZF	1608 SIZE	
C191	HCUS1E104ZF	CAP , CHIP , 0.1UF ZF	1608 SIZE	
C192	HCUS1H102KC	CAP , CHIP		
C193	HCUS1E104ZF	CAP , CHIP , 0.1UF ZF	1608 SIZE	
C194	HCUS1H102KC	CAP , CHIP		
C195	HCUS1E104ZF	CAP , CHIP , 0.1UF ZF	1608 SIZE	
C196	HCUS1H103KC	CAP , CHIP		
C197	HCUS1H103KC	CAP , CHIP		
C198	HCUS1E104ZF	CAP , CHIP , 0.1UF ZF	1608 SIZE	
C199	HCUS1H103KC	CAP , CHIP		
C200	HCUS1E104ZF	CAP , CHIP , 0.1UF ZF	1608 SIZE	
C201	HCUS1H221JA	CAP , CHIP		
C202	HCUS1H220JA	CAP , CHIP		
C203	HCUS1H220JA	CAP , CHIP		
C204	CRJ10DJ0R0T	RES, CHIP 0 OHM/1608/5%	00200-0090	

SEQ.	PART NO.	DESCRIPTION	SPECIFICATION	REMARKS
C205	CRJ10DJ0R0T	RES, CHIP 0 OHM/1608/5%	00200-0090	
C206	HCUS1H220JA	CAP , CHIP		
FB03	HLZ91002Z	CHIP FERRITE BEAD	HU-1H3216-121	
FB04	HLZ91002Z	CHIP FERRITE BEAD	HU-1H3216-121	
FB05	HLZ91002Z	CHIP FERRITE BEAD	HU-1H3216-121	
FB06	HLZ91002Z	CHIP FERRITE BEAD	HU-1H3216-121	
FB07	HLZ91002Z	CHIP FERRITE BEAD	HU-1H3216-121	
FB08	HLZ91002Z	CHIP FERRITE BEAD	HU-1H3216-121	
FB09	HLZ91002Z	CHIP FERRITE BEAD	HU-1H3216-121	
FB11	CRJ14CJ0R0T	RES , CHIP		
FB12	CRJ14CJ0R0T	RES , CHIP		
L001	HLQ09E8R2KRZ	CHIP , COIL		
L002	HLQ09E8R2KRZ	CHIP , COIL		
L003	HLQ09E8R2KRZ	CHIP , COIL		
L004	HLQ09E8R2KRZ	CHIP , COIL		
L005	HLQ09E8R2KRZ	CHIP , COIL		
L006	HLQ09E8R2KRZ	CHIP , COIL		
RP18	HRJ104DJ471T	RES, 1608 4 ARRAY		
RP21	HRJ104DJ472T	RES, 1608 4 ARRAY		
R003	CRJ10DJ0R0T	RES, CHIP 0 OHM/1608/5%	00200-0090	
R006	CRJ10DJ0R0T	RES, CHIP 0 OHM/1608/5%	00200-0090	
R051	CRJ10DJ0R0T	RES, CHIP 0 OHM/1608/5%	00200-0090	
R054	CRJ10DJ0R0T	RES, CHIP 0 OHM/1608/5%	00200-0090	
R056	CRJ10DJ220T	RES , CHIP	1608 SIZE	
R057	CRJ10DJ221T	RES, CHIP 220 OHM/1608/5%	00200-0101	
R058	CRJ10DJ220T	RES , CHIP	1608 SIZE	
R059	CRJ10DJ221T	RES, CHIP 220 OHM/1608/5%	00200-0101	
R060	CRJ10DJ221T	RES, CHIP 220 OHM/1608/5%	00200-0101	
R061	CRJ10DJ472T	RES, CHIP 4.7KOHM/1608/5%	00200-0087	
R062	CRJ10DJ472T	RES, CHIP 4.7KOHM/1608/5%	00200-0087	
R063	CRJ10DJ0R0T	RES, CHIP 0 OHM/1608/5%	00200-0090	
R064	CRJ10DJ0R0T	RES, CHIP 0 OHM/1608/5%	00200-0090	
R065	CRJ10DJ330T	RES, CHIP 33 OHM/1608/5%	00200-0118	
R066	CRJ10DJ102T	RES, CHIP 1KOHM/1608/5%	00200-0094	
R067	CRJ10DJ472T	RES, CHIP 4.7KOHM/1608/5%	00200-0087	
R068	CRJ10DF2490T	RES , CHIP 1% 249 OHM		
R069	CRJ10DF2490T	RES , CHIP 1% 249 OHM		
R070	CRJ10DJ102T	RES, CHIP 1KOHM/1608/5%	00200-0094	
R071	CRJ10DJ330T	RES, CHIP 33 OHM/1608/5%	00200-0118	
R072	CRJ10DJ330T	RES, CHIP 33 OHM/1608/5%	00200-0118	
R073	CRJ10DJ330T	RES, CHIP 33 OHM/1608/5%	00200-0118	
R074	CRJ10DF2490T	RES , CHIP 1% 249 OHM		
R075	CRJ10DF49R9T	RES CHIP 75 1%		1608
R076	CRJ10DF49R9T	RES CHIP 75 1%		1608
R077	CRJ10DF49R9T	RES CHIP 75 1%		1608
R078	CRJ10DJ0R0T	RES, CHIP 0 OHM/1608/5%	00200-0090	
R079	CRJ10DF3920T	RES. CHIP (392R 1%)	1608 SIZE	
R080	CRJ10DJ0R0T	RES, CHIP 0 OHM/1608/5%	00200-0090	
R081	CRJ10DJ472T	RES, CHIP 4.7KOHM/1608/5%	00200-0087	
R082	CRJ10DJ0R0T	RES, CHIP 0 OHM/1608/5%	00200-0090	
R083	CRJ10DJ472T	RES, CHIP 4.7KOHM/1608/5%	00200-0087	
R084	CRJ10DJ472T	RES, CHIP 4.7KOHM/1608/5%	00200-0087	
R085	CRJ10DJ0R0T	RES, CHIP 0 OHM/1608/5%	00200-0090	
R086	CRJ10DJ472T	RES, CHIP 4.7KOHM/1608/5%	00200-0087	

SEQ.	PART NO.	DESCRIPTION	SPECIFICATION	REMARKS
R087	CRJ10DJ0R0T	RES, CHIP 0 OHM/1608/5%	00200-0090	
R088	CRJ10DJ102T	RES, CHIP 1KOHM/1608/5%	00200-0094	
R089	CRJ10DF1210T	RES, CHIP 121 OHM 1/10W 1%	00200-2004	
R090	CRJ10DF53R6T	RES. CHIP (53.6 1%)	1608 SIZE	
R091	CRJ10DJ510T	RES, CHIP (51 OHM)	1608 SIZE	
R092	CRJ10DJ102T	RES, CHIP 1KOHM/1608/5%	00200-0094	
R094	CRJ10DJ510T	RES, CHIP (51 OHM)	1608 SIZE	
R095	CRJ10DJ510T	RES, CHIP (51 OHM)	1608 SIZE	
R096	CRJ10DJ510T	RES, CHIP (51 OHM)	1608 SIZE	
R098	CRJ10DJ510T	RES, CHIP (51 OHM)	1608 SIZE	
R099	CRJ10DJ510T	RES, CHIP (51 OHM)	1608 SIZE	
R100	CRJ10DJ510T	RES, CHIP (51 OHM)	1608 SIZE	
R103	CRJ10DJ0R0T	RES, CHIP 0 OHM/1608/5%	00200-0090	
R105	CRJ10DJ510T	RES, CHIP (51 OHM)	1608 SIZE	
R106	CRJ10DJ0R0T	RES, CHIP 0 OHM/1608/5%	00200-0090	
R108	CRJ10DJ510T	RES, CHIP (51 OHM)	1608 SIZE	
R109	CRJ10DJ472T	RES, CHIP 4.7KOHM/1608/5%	00200-0087	
R110	CRJ10DJ103T	RES, CHIP 10KOHM/1608/5%	00200-0096	
R111	CRJ10DJ103T	RES, CHIP 10KOHM/1608/5%	00200-0096	
R112	CRJ10DJ103T	RES, CHIP 10KOHM/1608/5%	00200-0096	
R113	CRJ10DJ102T	RES, CHIP 1KOHM/1608/5%	00200-0094	
R114	CRJ10DJ0R0T	RES, CHIP 0 OHM/1608/5%	00200-0090	
R115	CRJ10DJ0R0T	RES, CHIP 0 OHM/1608/5%	00200-0090	
R116	CRJ10DJ510T	RES, CHIP (51 OHM)	1608 SIZE	
R118	CRJ10DJ103T	RES, CHIP 10KOHM/1608/5%	00200-0096	
R119	CRJ10DJ103T	RES, CHIP 10KOHM/1608/5%	00200-0096	
R120	CRJ10DJ103T	RES, CHIP 10KOHM/1608/5%	00200-0096	
R121	CRJ10DJ102T	RES, CHIP 1KOHM/1608/5%	00200-0094	
R122	CRJ10DJ103T	RES, CHIP 10KOHM/1608/5%	00200-0096	
R123	CRJ10DF6341T	RES, 6.34K OHM 1%	1608 SIZE	
R126	CRJ10DJ103T	RES, CHIP 10KOHM/1608/5%	00200-0096	
R127	CRJ10DJ103T	RES, CHIP 10KOHM/1608/5%	00200-0096	
R128	CRJ10DJ103T	RES, CHIP 10KOHM/1608/5%	00200-0096	
R129	CRJ10DJ103T	RES, CHIP 10KOHM/1608/5%	00200-0096	
R130	CRJ10DJ512T	RES, CHIP 5.1KOHM/1608/5%	00200-0141	
R131	CRJ10DJ103T	RES, CHIP 10KOHM/1608/5%	00200-0096	
R132	CRJ10DJ330T	RES, CHIP 33 OHM/1608/5%	00200-0118	
R133	CRJ10DJ330T	RES, CHIP 33 OHM/1608/5%	00200-0118	
R134	CRJ10DJ330T	RES, CHIP 33 OHM/1608/5%	00200-0118	
R135	CRJ10DJ330T	RES, CHIP 33 OHM/1608/5%	00200-0118	
R136	CRJ10DJ330T	RES, CHIP 33 OHM/1608/5%	00200-0118	
R137	CRJ10DJ330T	RES, CHIP 33 OHM/1608/5%	00200-0118	
R138	CRJ10DJ105T	RES, CHIP 1MOHM/1608/5%	00200-0095	
R139	CRJ10DJ0R0T	RES, CHIP 0 OHM/1608/5%	00200-0090	
R140	CRJ10DJ103T	RES, CHIP 10KOHM/1608/5%	00200-0096	
R142	CRJ10DJ0R0T	RES, CHIP 0 OHM/1608/5%	00200-0090	
R360	CRJ10DJ330T	RES, CHIP 33 OHM/1608/5%	00200-0118	
U011	HOX27000ISZ	CRYSTAL, OSC	SMD SEALED TYPE	
	CIP11717BTSMD	RW MAIN PCB TOP SMD ASSY	QRW-7500	
	CUP11717Y	PCB, RW MAIN	QRW-7500	
CN11	KJP11GA19ZM	WAFER	MOLEX-53014	
CN12	KJP09GA19ZM	WAFER	MOLEX53014-0910	
CN13	KJP40GA80ZP	HEADER ATAPI 40P (STRAIGHT)	POWERNET	
CN14	KJP06GA19ZM	WAFER	MOLEX53014-0610	

SEQ.	PART NO.	DESCRIPTION	SPECIFICATION	REMARKS
CN32	CJP24GA147ZW	24 DUAL WAFER	JWT	
CN33	CJP24GA147ZW	24 DUAL WAFER	JWT	
C001	HCEC0JRV2470T	CAP , CHIP ELECT	47UF/6.3V	
C002	HCEC0JRV2470T	CAP , CHIP ELECT	47UF/6.3V	
C003	HCEC0JRV2470T	CAP , CHIP ELECT	47UF/6.3V	
C004	HCEC0JRV2470T	CAP , CHIP ELECT	47UF/6.3V	
C005	HCEC0JRV2470T	CAP , CHIP ELECT	47UF/6.3V	
C007	HCEC0JRV2470T	CAP , CHIP ELECT	47UF/6.3V	
C008	HCUS1E104ZF	CAP , CHIP , 0.1UF ZF	1608 SIZE	
C009	HCUS1H332KC	CAP , CHIP	1608 SIZE	
C010	HCEC0JRV2470T	CAP , CHIP ELECT	47UF/6.3V	
C011	HCEC0JRV2470T	CAP , CHIP ELECT	47UF/6.3V	
C012	HCUS1E104ZF	CAP , CHIP , 0.1UF ZF	1608 SIZE	
C013	HCEC0JRV2470T	CAP , CHIP ELECT	47UF/6.3V	
C014	HCUS1H103KC	CAP , CHIP		
C015	HCEC0JRV2470T	CAP , CHIP ELECT	47UF/6.3V	
C017	HCUS1E104ZF	CAP , CHIP , 0.1UF ZF	1608 SIZE	
C018	HCEC0JRV2470T	CAP , CHIP ELECT	47UF/6.3V	
C019	HCEC0JRV2470T	CAP , CHIP ELECT	47UF/6.3V	
C020	HCEC0JRV2470T	CAP , CHIP ELECT	47UF/6.3V	
C021	HCEC0JRV2470T	CAP , CHIP ELECT	47UF/6.3V	
C022	HCEC0JRV2470T	CAP , CHIP ELECT	47UF/6.3V	
C024	HCEC0JRV2470T	CAP , CHIP ELECT	47UF/6.3V	
C025	HCEC0JRV2470T	CAP , CHIP ELECT	47UF/6.3V	
C026	HCEC0JRV2470T	CAP , CHIP ELECT	47UF/6.3V	
C028	HCEC0JRV2470T	CAP , CHIP ELECT	47UF/6.3V	
C030	HCEC0JRV2470T	CAP , CHIP ELECT	47UF/6.3V	
C031	HCEC0JRV2470T	CAP , CHIP ELECT	47UF/6.3V	
C034	HCUS1H103KC	CAP , CHIP		
C035	HCUS1H102KC	CAP , CHIP		
C036	HCEC0JRV2470T	CAP , CHIP ELECT	47UF/6.3V	
C038	HCUS1E104ZF	CAP , CHIP , 0.1UF ZF	1608 SIZE	
C039	HCUS1E104ZF	CAP , CHIP , 0.1UF ZF	1608 SIZE	
C040	HCEC0JRV2470T	CAP , CHIP ELECT	47UF/6.3V	
C041	HCUS1H103KC	CAP , CHIP		
C042	HCEC0JRV2470T	CAP , CHIP ELECT	47UF/6.3V	
C043	HCEC0JRV2470T	CAP , CHIP ELECT	47UF/6.3V	
C044	HCUS1H102KC	CAP , CHIP		
C045	HCEC0JRV2470T	CAP , CHIP ELECT	47UF/6.3V	
C046	HCEC0JRV2470T	CAP , CHIP ELECT	47UF/6.3V	
C047	HCUS1H103KC	CAP , CHIP		
C048	HCEC0JRV2470T	CAP , CHIP ELECT	47UF/6.3V	
C049	HCEC0JRV2470T	CAP , CHIP ELECT	47UF/6.3V	
C050	HCEC0JRV2470T	CAP , CHIP ELECT	47UF/6.3V	
C052	HCEC1HRV21R0T	CAP , ELEC (SMD)	1UF/50	
FB01	HLZ91002Z	CHIP FERRITE BEAD	HU-1H3216-121	
FB02	HLZ91002Z	CHIP FERRITE BEAD	HU-1H3216-121	
RP01	HRJ104DJ220T	RES,4ARRAY	22X4/2012	
RP02	HRJ104DJ472T	RES, 1608 4 ARRAY		
RP03	HRJ104DJ471T	RES, 1608 4 ARRAY		
RP04	HRJ104DJ220T	RES,4ARRAY	22X4/2012	
RP05	HRJ104DJ220T	RES,4ARRAY	22X4/2012	
RP06	HRJ104DJ220T	RES,4ARRAY	22X4/2012	
RP07	HRJ104DJ470T	RES , 1608 4 ARRAY		

SEQ.	PART NO.	DESCRIPTION	SPECIFICATION	REMARKS
RP08	HRJ104DJ470T	RES , 1608 4 ARRAY		
RP09	HRJ104DJ470T	RES , 1608 4 ARRAY		
RP10	HRJ104DJ470T	RES , 1608 4 ARRAY		
RP11	HRJ104DJ470T	RES , 1608 4 ARRAY		
RP12	HRJ104DJ470T	RES , 1608 4 ARRAY		
RP13	HRJ104DJ470T	RES , 1608 4 ARRAY		
RP14	HRJ104DJ470T	RES , 1608 4 ARRAY		
RP15	HRJ104DJ472T	RES, 1608 4 ARRAY		
RP16	HRJ104DJ472T	RES, 1608 4 ARRAY		
RP17	HRJ104DJ472T	RES, 1608 4 ARRAY		
RP19	HRJ104DJ220T	RES,4ARRAY	22X4/2012	
RP20	HRJ104DJ220T	RES,4ARRAY	22X4/2012	
R001	CRJ10DJ101T	RES, CHIP 100 OHM/1608/5%	00200-0100	
R002	CRJ10DJ102T	RES, CHIP 1KOHM/1608/5%	00200-0094	
R004	CRJ10DJ102T	RES, CHIP 1KOHM/1608/5%	00200-0094	
R005	CRJ10DJ330T	RES, CHIP 33 OHM/1608/5%	00200-0118	
R007	CRJ10DJ220T	RES , CHIP	1608 SIZE	
R008	CRJ10DJ330T	RES, CHIP 33 OHM/1608/5%	00200-0118	
R009	CRJ10DJ0R0T	RES, CHIP 0 OHM/1608/5%	00200-0090	
R010	CRJ10DJ0R0T	RES, CHIP 0 OHM/1608/5%	00200-0090	
R011	CRJ10DJ562T	RES, CHIP 5.6KOHM/1608/5%	00200-2030	
R012	CRJ10DJ330T	RES, CHIP 33 OHM/1608/5%	00200-0118	
R013	CRJ10DJ0R0T	RES, CHIP 0 OHM/1608/5%	00200-0090	
R014	CRJ10DJ102T	RES, CHIP 1KOHM/1608/5%	00200-0094	
R015	CRJ10DJ0R0T	RES, CHIP 0 OHM/1608/5%	00200-0090	
R016	CRJ10DJ472T	RES, CHIP 4.7KOHM/1608/5%	00200-0087	
R017	CRJ10DJ472T	RES, CHIP 4.7KOHM/1608/5%	00200-0087	
R018	CRJ10DJ472T	RES, CHIP 4.7KOHM/1608/5%	00200-0087	
R019	CRJ10DJ472T	RES, CHIP 4.7KOHM/1608/5%	00200-0087	
R020	CRJ10DJ472T	RES, CHIP 4.7KOHM/1608/5%	00200-0087	
R021	CRJ10DJ472T	RES, CHIP 4.7KOHM/1608/5%	00200-0087	
R022	CRJ10DJ472T	RES, CHIP 4.7KOHM/1608/5%	00200-0087	
R023	CRJ10DJ330T	RES, CHIP 33 OHM/1608/5%	00200-0118	
R024	CRJ10DJ472T	RES, CHIP 4.7KOHM/1608/5%	00200-0087	
R025	CRJ10DJ220T	RES , CHIP	1608 SIZE	
R026	CRJ10DJ472T	RES, CHIP 4.7KOHM/1608/5%	00200-0087	
R027	CRJ10DJ103T	RES, CHIP 10KOHM/1608/5%	00200-0096	
R028	CRJ10DJ103T	RES, CHIP 10KOHM/1608/5%	00200-0096	
R029	CRJ10DJ103T	RES, CHIP 10KOHM/1608/5%	00200-0096	
R030	CRJ10DJ102T	RES, CHIP 1KOHM/1608/5%	00200-0094	
R031	CRJ10DJ103T	RES, CHIP 10KOHM/1608/5%	00200-0096	
R032	CRJ10DJ0R0T	RES, CHIP 0 OHM/1608/5%	00200-0090	
R033	CRJ10DF56R2T	RES, CHIP 56.2 OHM/1608/1%	00200-2014	
R034	CRJ10DF56R2T	RES, CHIP 56.2 OHM/1608/1%	00200-2014	
R035	CRJ10DJ472T	RES, CHIP 4.7KOHM/1608/5%	00200-0087	
R036	CRJ10DJ103T	RES, CHIP 10KOHM/1608/5%	00200-0096	
R037	CRJ10DJ103T	RES, CHIP 10KOHM/1608/5%	00200-0096	
R038	CRJ10DJ103T	RES, CHIP 10KOHM/1608/5%	00200-0096	
R039	CRJ10DJ103T	RES, CHIP 10KOHM/1608/5%	00200-0096	
R040	CRJ10DJ103T	RES, CHIP 10KOHM/1608/5%	00200-0096	
R041	CRJ10DF56R2T	RES, CHIP 56.2 OHM/1608/1%	00200-2014	
R042	CRJ10DF56R2T	RES, CHIP 56.2 OHM/1608/1%	00200-2014	
R043	CRJ10DJ330T	RES, CHIP 33 OHM/1608/5%	00200-0118	
U003	HVIHY57V281620H	IC.SDRAM		

SEQ.	PART NO.	DESCRIPTION	SPECIFICATION	REMARKS
U004	HVITSB41AB1-PHP	I.C , IEEE-1394	TSB41AB1-PHP	
U005	HVITSB42AB4PDT	IC.IEEE-1394		
U006	HVIZR35100PQC	IC.ACTIVA 100(ZORAN)		
U007	HVIHY57V281620H	IC.SDRAM		
U010	HVILM1086R-AD	I.C , L.D.O REGUALTOR	LM1086R-ADJ	
U015	HVIHY57V281620H	IC.SDRAM		
U018	HVI74LVX125MTR	I.C , 3 STATE BUFFERS	74LVX125MTR	
U019	HVIZR36750BGC	IC.MPEG RW(ZORAN)		
U020	HVIM29W320DT70N	IC. 32BIT FLASH MEMORY	ST	
U022	HVIHY57V281620H	IC.SDRAM		
U024	HVIAT24C08N10SC	I.C	AT24C08N10SC2.7	
Y002	HOX24576E150TF	CRYSTAL	24.576MHZ	
	CWBQRW7500BN13	WIRE ASS'Y (4P)	QRW-7500	
	CWZHTS3000BN12	CABLE , ATAPI (FLATE , 40P)	HTS-3000(80M/M)	
	HJDQRW7500	DVD RW MECHANISM	BENQ	

SEQ.	PART NO.	DESCRIPTION	SPECIFICATION	REMARKS
	CIP11743B	SMPS PCB AUTO ASS'Y	QRW-6500	
	CUP11743Z	PCB , SMPS	QRW-6500	
C904	CCUMT1H104KB	CAP , MONO	50V 104 K	
C905	CCEA1HH220TS	CAP , ELECT	50V/22UF/105°C	
C906	CCKT3A222KBL	CAP , CERAMIC	EKR3A222K05FK5	
C907	CCEA1HH220TS	CAP , ELECT	50V/22UF/105°C	
C908	CCEA1HH220TS	CAP , ELECT	50V/22UF/105°C	
C909	CCUMT1H104KB	CAP , MONO	50V 104 K	
C911	CCKT3A222KBL	CAP , CERAMIC	EKR3A222K05FK5	
C923	CCEA1HHR22TS	CAP , ELECT	50V/0.22UF105°C	
C935	CCEA1EH101TS	CAP , ELECT	25V/100UF/105°C	
C936	CCUMT1H104KB	CAP , MONO	50V 104 K	
C937	CCEA1HH101TS	CAP , ELECT 100UF/50V/-55~+105	00107-0115	
C939	CCKT3A102KBL	CAP , CERAMIC	EKR3A102K05FK5	
C941	CCEA1HHR22TS	CAP , ELECT	50V/0.22UF105°C	
C943	CCEA1EH101TS	CAP , ELECT	25V/100UF/105°C	
C944	CCEA1HH470TS	CAP , ELECT 47UF/50V/-55~+105	00107-0100	
C955	CCEA1EH101TS	CAP , ELECT	25V/100UF/105°C	
C956	CCEA1HH470TS	CAP , ELECT 47UF/50V/-55~+105	00107-0100	
C958	CCEA1EH331TS	CAP , ELECT	25V/330UF/105°C	
C959	CCEA1EH331TS	CAP , ELECT	25V/330UF/105°C	
C960	CCEA1JH470TS	CAP , ELECT	63V/47UF/105°C	
C961	CCEA1JH470TS	CAP , ELECT	63V/47UF/105°C	
C963	CCEA1EH101TS	CAP , ELECT	25V/100UF/105°C	
C964	CCEA1HH470TS	CAP , ELECT 47UF/50V/-55~+105	00107-0100	
C965	CCEA1EH101TS	CAP , ELECT	25V/100UF/105°C	
C966	CCKT3A102KBL	CAP , CERAMIC	EKR3A102K05FK5	
C967	CCEA1AH471TS	CAP , ELECT 470UF/10V/-55~+105	00107-0108	
C968	CCUMT1H104KB	CAP , MONO	50V 104 K	
C970	CCKT3A102KBL	CAP , CERAMIC	EKR3A102K05FK5	
C972	CCEA1AH471TS	CAP , ELECT 470UF/10V/-55~+105	00107-0108	
C975	CCEA1HH470TS	CAP , ELECT 47UF/50V/-55~+105	00107-0100	
C976	CCKT3A102KBL	CAP , CERAMIC	EKR3A102K05FK5	
D923	HVD1SS133MT	DIODE	1SS133T-77	
ET91	HJT1A025	PALTE , EARTH	MET37-0002	
ET92	HJT1A025	PALTE , EARTH	MET37-0002	
ET93	HJT1A025	PALTE , EARTH	MET37-0002	
F901	KJCF5S	HOLDER , FUSE		
IC91	HVIKIA431BAT	I.C , REGULATOR	KIA431B	
IC92	HVIKIA431BAT	I.C , REGULATOR	KIA431B	
J901	C3A206	WIRE , COPPER	SN95/PB5 , 0.6	
J902	C3A206	WIRE , COPPER	SN95/PB5 , 0.6	
J918	C3A206	WIRE , COPPER	SN95/PB5 , 0.6	
J951	C3A206	WIRE , COPPER	SN95/PB5 , 0.6	
J952	C3A206	WIRE , COPPER	SN95/PB5 , 0.6	
J953	C3A206	WIRE , COPPER	SN95/PB5 , 0.6	
J954	C3A206	WIRE , COPPER	SN95/PB5 , 0.6	
J955	C3A206	WIRE , COPPER	SN95/PB5 , 0.6	
J956	C3A206	WIRE , COPPER	SN95/PB5 , 0.6	
J957	C3A206	WIRE , COPPER	SN95/PB5 , 0.6	
J958	C3A206	WIRE , COPPER	SN95/PB5 , 0.6	
J959	C3A206	WIRE , COPPER	SN95/PB5 , 0.6	
J961	C3A206	WIRE , COPPER	SN95/PB5 , 0.6	
J962	C3A206	WIRE , COPPER	SN95/PB5 , 0.6	

SEQ.	PART NO.	DESCRIPTION	SPECIFICATION	REMARKS
J963	C3A206	WIRE , COPPER	SN95/PB5 , 0.6	
J964	C3A206	WIRE , COPPER	SN95/PB5 , 0.6	
J970	C3A206	WIRE , COPPER	SN95/PB5 , 0.6	
J971	C3A206	WIRE , COPPER	SN95/PB5 , 0.6	
J972	C3A206	WIRE , COPPER	SN95/PB5 , 0.6	
J973	C3A206	WIRE , COPPER	SN95/PB5 , 0.6	
J974	C3A206	WIRE , COPPER	SN95/PB5 , 0.6	
J975	C3A206	WIRE , COPPER	SN95/PB5 , 0.6	
J981	C3A206	WIRE , COPPER	SN95/PB5 , 0.6	
L911	CLZ9Z040Z	COIL , CHOKE(6.8UH)	DR 6.5*7.5	
L914	CLZ9Z040Z	COIL , CHOKE(6.8UH)	DR 6.5*7.5	
Q901	HVTKSA708YT	T.R	KSA708Y	
Q930	HVTKRC102MT	T.R	KRC102M	
Q931	HVTKRA102MT	T.R	KRA102M	
Q932	HVTKTC3198YT	T.R		
Q933	HVTKTC3198YT	T.R		
Q934	HVTKSC1008YT	T.R	KSC1008Y	
Q935	HVTKRC102MT	T.R	KRC102M	
R901	KROS1TJ105V	RES , SURGE (52MM)	1/2W , 1M OHM	
R902	KROS1TJ105V	RES , SURGE (52MM)	1/2W , 1M OHM	
R903	KROS1TJ105V	RES , SURGE (52MM)	1/2W , 1M OHM	
R906	CRD25TJ560T	RES , CARBON		
R908	CRD25TJ150T	RES , CARBON	15 OHM 1/4W J	
R909	CRD25TJ100T	RES , CARBON		
R910	CRD20TJ102T	RES , CARBON	1K OHM 1/5W J	
R911	CRD20TJ103T	RES , CARBON	10K OHM 1/5W J	
R912	CRD20TJ103T	RES , CARBON	10K OHM 1/5W J	
R930	CRD20TJ102T	RES , CARBON	1K OHM 1/5W J	
R931	CRD20TJ101T	RES , CARBON	100 OHM 1/5W J	
R932	CRD20TJ102T	RES , CARBON	1K OHM 1/5W J	
R933	CRD20TF3901T	RES , CARBON	3.9K /1/5W /F	
R934	CRD20TF2401T	RES , CARBON	2.4K 1/5W F	
R936	CRD20TJ103T	RES , CARBON	10K OHM 1/5W J	
R937	CRD20TJ103T	RES , CARBON	10K OHM 1/5W J	
R938	CRD20TJ102T	RES , CARBON	1K OHM 1/5W J	
R940	CRD20TJ104T	RES , CARBON	100K OHM 1/5W J	
R945	CRD20TJ101T	RES , CARBON	100 OHM 1/5W J	
R946	CRD20TJ102T	RES , CARBON	1K OHM 1/5W J	
R947	CRD20TJ102T	RES , CARBON	1K OHM 1/5W J	
R948	CRD20TF3001T	RES , CARBON	3K 1/5W F	
R949	CRD20TF2401T	RES , CARBON	2.4K 1/5W F	
R951	CRD20TJ103T	RES , CARBON	10K OHM 1/5W J	
R953	CRD20TJ681T	RES , CARBON	680 OHM 1/5W J	
R954	CRD20TJ103T	RES , CARBON	10K OHM 1/5W J	
R955	CRD20TJ103T	RES , CARBON	10K OHM 1/5W J	
R956	CRD20TJ103T	RES , CARBON	10K OHM 1/5W J	
R959	CRD20TJ103T	RES , CARBON	10K OHM 1/5W J	
R960	CRD20TJ223T	RES , CARBON	22K OHM 1/5W J	
R963	CRD20TJ103T	RES , CARBON	10K OHM 1/5W J	
ZD91	HVDMTZJ13BT	DIODE , ZENER		
ZD95	HVDMTZJ13BT	DIODE , ZENER		
ZD96	HVDMTZJ30BT	DIODE , ZENER		
ZD98	HVDMTZJ5.6BT	DIODE , ZENER		
ZD99	HVDMTZJ5.1BT	DIODE , ZENER		

SEQ.	PART NO.	DESCRIPTION	SPECIFICATION	REMARKS
BD91	HVDGBJ606	DIODE , BRIDGE		
CN91	CJP05GA19ZY	WAFER, STRAIGHT, 5PIN		
CN92	CJP08GA01ZY	WAFER, STRAIGHT, 8PIN		
CN93	CJP07GA19ZY	WAFER, STRAIGHT, 7PIN		
CN94	CJP08GA19ZY	WAFER, STRAIGHT, 8PIN		
CN95	KJP02KA060ZY	WAFER	7.92MM(YUNHO)	
CX91	HCQF2E104KZE	CAP , POLYPROPYLENE FILM		
CX92	HCQF2E104KZE	CAP , POLYPROPYLENE FILM		
CY91	CCKDHS102ME	CAP , CERAMIC (400V Y-CAP)	SDE2G102M10FF7	
CY92	CCKDHS102ME	CAP , CERAMIC (400V Y-CAP)	SDE2G102M10FF7	
CY94	CCKDHS222ME	CAP , CERAMIC (400V Y-CAP)	SDE2G222M10FF7	
C901	CCET400VHE151NH	CAP , ELECT	400V / 150UF	
C922	CCEA1VH471ES	CAP , ELECT	35V/470UF/105°C	
C940	CCEA1VH471ES	CAP , ELECT	35V/470UF/105°C	
C957	CCEA1VH471ES	CAP , ELECT	35V/470UF/105°C	
C971	CCEA1AH102ES	CAP , ELECT	1000UF 105°C	
C973	CCEA1VH471ES	CAP , ELECT	35V/470UF/105°C	
C974	CCEA1AH102ES	CAP , ELECT	1000UF 105°C	
D901	HVDUF4007T	DIODE , SCHOTTKY	UF4007	
D902	HVD1N4937T	DIODE , RECTIFIERS	1N4937(600V/1A)	
D903	HVD1N4937T	DIODE , RECTIFIERS	1N4937(600V/1A)	
D904	HVD1N4937T	DIODE , RECTIFIERS	1N4937(600V/1A)	
D905	HVDUF4007T	DIODE , SCHOTTKY	UF4007	
D911	HVD31DQ10FC5	DIODE , SCHOTTKY (100V/3A)	31DQ10	
D912	HVD11EQ06T	DIODE , SCHOTTKY (60V/1A)	11EQ06	
D913	HVD1N4937T	DIODE , RECTIFIERS	1N4937(600V/1A)	
D914	HVD1N4937T	DIODE , RECTIFIERS	1N4937(600V/1A)	
D915	HVDSB560T	DIODE , SCHOTTKY	SB560(60V/5A)	
D916	HVDUF5404H	DIODE , ULTRA FAST	15MM FORMING	
D917	HVDUF5404H	DIODE , ULTRA FAST	15MM FORMING	
D918	HVD1N4937T	DIODE , RECTIFIERS	1N4937(600V/1A)	
D919	HVD11EQ06T	DIODE , SCHOTTKY (60V/1A)	11EQ06	
D920	HVD11EQ06T	DIODE , SCHOTTKY (60V/1A)	11EQ06	
D921	CVIFCQ10A06XA	DIODE HEAT SINK ASS'Y	FCQ10A06	
	CMY1A223	HEAT SINK		
	CTB3+8J	SCREW		
	HVDFCQ10A06	DIODE , SCHOTTKY (60V/10A)	FCQ10A06	
	K8AYG6260	COMPOUND , SILICONE		
D922	HVD1N4937T	DIODE , RECTIFIERS	1N4937(600V/1A)	
D924	HVD11EQ06T	DIODE , SCHOTTKY (60V/1A)	11EQ06	
IC81	HVIKA5M0365RN	IC , POWER SW	KA5M0365RN	
IC82	CVIKA1M0565ZA	FET HEAT SINK ASS'Y		
	CMY1A222	SINK , HEAT		
	CTB3+8J	SCREW		
	HVIKA1M0565RYD	IC , POWER SW (FORMING)	KA1M0565R-YDTU	
	KHE36-3	CLAMPER , WIRE		
	K8AYG6260	COMPOUND , SILICONE		
IC90	HVIKIA7809API	REGULATOR ,+9V	KIA7809 (KEC)	
IC93	CVIKIA278R33YA	I.C , ASS'Y	KIA278R33PI	
	CMY1A222	SINK , HEAT		
	CTB3+8J	SCREW		
	HVIKIA278R33PI	REGULATOR(3.3V OUTPUT LOWDROP)	KIA278R33PI	
	K8AYG6260	COMPOUND , SILICONE		
IC94	CVIKA78R12WA	I.C ASS'Y	KA78R12	

SEQ.	PART NO.	DESCRIPTION	SPECIFICATION	REMARKS
IC95	CMY1A223	HEAT SINK		
	CTB3+8J	SCREW		
	HVIKA78R12	REGULATOR(12V OUTPUT LOW DROP)	KA78R12TU	
	K8AYG6260	COMPOUND , SILICONE		
	HVIMC7912C	I.C , REGULATOR	KA7912-ABTU	
IC96	HVIKA78R12	REGULATOR(12V OUTPUT LOW DROP)	KA78R12TU	
IC97	CVIKIA78R05PIWA	I.C ASS'Y	KIA78R05PI	
IC98	CMY1A223	HEAT SINK		
	CTB3+8J	SCREW		
	HVIKIA78R05PI	REGULATOR (5V OUTPUT LOW DROP)	KIA78R05PI	
	K8AYG6260	COMPOUND , SILICONE		
	CVIKIA278R06ZA	I.C ASS'Y	KIA278R06PI	
IC99	CMY1A223	HEAT SINK		
	CTB3+8J	SCREW		
	HVIKIA278R06PI	REGULATOR (6V OUTPUT LOW DROP)	KIA278R06	
	K8AYG6260	COMPOUND , SILICONE		
	CVIKIA7809APIZA	I.C ASS'Y	KIA7809API	
LF91	CMY1A223	HEAT SINK		
	CTB3+8J	SCREW		
	HVIKIA7809API	REGULATOR ,+9V	KIA7809 (KEC)	
	K8AYG6260	COMPOUND , SILICONE		
	CLZ9Z056Z	FILTER , LINE	UU1620 6MH	
LF92	CLZ9Z056Z	FILTER , LINE	UU1620 6MH	
PC91	HVIPC17L1CB	I.C , PHOTO COUPLER	PC-17L1CB	
PC92	HVIPC17L1CB	I.C , PHOTO COUPLER	PC-17L1CB	
PC93	HVIPC17L1CB	I.C , PHOTO COUPLER	PC-17L1CB	
R904	CRG2ANJ683R	RES , METAL OXIDE FILM	68K OHM 2W J	
R905	CRD50TJ474T	RES , CARBON	470K OHM 1/2W J	
R907	CRD50TJ474T	RES , CARBON	470K OHM 1/2W J	
R913	CRD50TJ470T	RES , CARBON	470 OHM 1/2W J	
R914	CRD50TJ470T	RES , CARBON	470 OHM 1/2W J	
R915	CRG1ANJ683R	RES , METAL OXIDE FILM	68K OHM 1W J	
R950	CRG2ANJ470R	RES , METAL OXIDE FILM	47 OHM 2W J	
R962	CRG1ANJ100R	RES , METAL OXIDE FILM	10 OHM 1W J	
TH91	KRT8D13MSFB	NTC , THERMISTOR (7.5MM PITCH)	DSC 8D-13 MSFB	
T901	CLT9Z008ZE	TRANS , SUB	EE1927	
T902	CLT9Z009ZE	TRANS , MAIN	EER3435	
VT91	CRVSVC471D10A	VARISTOR	SVC471D10A	

■ VCR PART

SEQ.	PART NO.	DESCRIPTION	SPECIFICATION	REMARKS
	CHG1A243	CUSHION		
	CIP11744B	VCR MAIN PCB AUTO ASS'Y (EUR)	QRW-6500	
	CUP11744Z	PCB , VCR MAIN	QRW-6500	
C007	HCBS1H471KBT	CAP , CERAMIC		
C008	CCKT1H152KB	CAP , CERAMIC	1500PF 550V KB	
C009	CCEA1CH100T	CAP, ELE 10UF/16V/-40~+86	00107-1027	
C010	CCEA1CH100T	CAP, ELE 10UF/16V/-40~+86	00107-1027	
C011	CCEA1HH3R3T	CAP , ELECT		
C012	HCBS1H104ZFT	CAP , CERAMIC	0.1UF 50V Z	
C013	HCBS1H104ZFT	CAP , CERAMIC	0.1UF 50V Z	
C014	CCEA1CH100T	CAP, ELE 10UF/16V/-40~+86	00107-1027	
C016	CCEA1CH470T	CAP, ELE 47UF/16V/-40~+85	00107-1007	
C017	HCBS1H471KBT	CAP , CERAMIC		
C018	HCBS1H104ZFT	CAP , CERAMIC	0.1UF 50V Z	
C019	CCKT1H470KB	CAP , CERAMIC	47PF 50V KB	
C020	HCBS1H1R5MCT	CAP , CERAMIC	1.5P	
C021	HCBS1H1R5MCT	CAP , CERAMIC	1.5P	
C022	CCKT1H471KB	CAP , CERAMIC	470PF 50V KB	
C023	CCKT1H221KB	CAP , CERAMIC	220PF 50V KB	
C024	CCKT1H152KB	CAP , CERAMIC	1500PF 550V KB	
C025	CCEA1CH100T	CAP, ELE 10UF/16V/-40~+86	00107-1027	
C026	CCEA1HH4R7T	CAP, ELE 4.7UF/50V/-40~+85	00107-1019	
C027	HCQI1H333JZT	CAP , MYLAR	0.033UF 50V J	
C028	HCQI1H333JZT	CAP , MYLAR	0.033UF 50V J	
C101	CCKT1H333ZF	CAP , CERAMIC	0.033UF 50V ZF	
C102	CCKT1H151KB	CAP , CERAMIC	150PF 50V KB	
C104	CCKT1H333ZF	CAP , CERAMIC	0.033UF 50V ZF	
C105	CCKT1H103ZF	CAP , CERAMIC	0.01UF 50V ZF	
C106	CCEA1CH100T	CAP, ELE 10UF/16V/-40~+86	00107-1027	
C107	CCKT1H222KB	CAP , CERAMIC	2200PF 50V KB	
C201	HCBS1H103ZFT	CAP , CERAMIC	0.01UF 50V Z	
C202	CCEA1CKS220T	CAP , ELECT		
C203	HCBS1H222KBT	CAP , CERAMIC	2200PF 50V K	
C204	HCBS1H222KBT	CAP , CERAMIC	2200PF 50V K	
C206	CCEA1CH220T	CAP , ELECT		
C208	CCEA1CH220T	CAP , ELECT		
C210	CCEA1CH470T	CAP, ELE 47UF/16V/-40~+85	00107-1007	
C211	HCBS1H103ZFT	CAP , CERAMIC	0.01UF 50V Z	
C212	CCEA1HH4R7T	CAP, ELE 4.7UF/50V/-40~+85	00107-1019	
C213	HCBS1H221KBT	CAP , CERAMIC	220PF 50V K	
C214	CCEA1HH1R0T	CAP, ELE 1UF/50V/-40~+85	00107-1015	
C215	CCEA1HH1R0T	CAP, ELE 1UF/50V/-40~+85	00107-1015	
C216	CCKT1H182KB	CAP , CERAMIC	1800PF 50V KB	
C217	HCBS1H104ZFT	CAP , CERAMIC	0.1UF 50V Z	
C218	CCEA1CH101T	CAP, ELE 100UF/16V/-40~+85	00107-1003	
C219	HCQI1H153JZT	CAP , MYLAR	0.015UF 50V J	
C220	HCBS1H391KBT	CAP , CERAMIC		
C221	CCEA1HH4R7T	CAP, ELE 4.7UF/50V/-40~+85	00107-1019	
C222	CCEA1HH1R0T	CAP, ELE 1UF/50V/-40~+85	00107-1015	
C223	CCEA1HKS1R0T	CAP, ELE 1UF/50V/5MM HEIGHT	00107-0029	
C224	CCEA1CH101T	CAP, ELE 100UF/16V/-40~+85	00107-1003	
C225	CCEA1CH100T	CAP, ELE 10UF/16V/-40~+86	00107-1027	
C226	HCBS1H104ZFT	CAP , CERAMIC	0.1UF 50V Z	
C227	CCEA1CH470T	CAP, ELE 47UF/16V/-40~+85	00107-1007	

SEQ.	PART NO.	DESCRIPTION	SPECIFICATION	REMARKS
C228	CCEA1HKS1R0T	CAP, ELE 1UF/50V/5MM HEIGHT	00107-0029	
C229	HCBS1H473ZFT	CAP , CERAMIC	0.047UF 50V Z	
C230	HCBS1H223ZFT	CAP , CERAMIC	0.022UF 50V Z	
C231	HCBS1H104ZFT	CAP , CERAMIC	0.1UF 50V Z	
C232	HCBS1H473ZFT	CAP , CERAMIC	0.047UF 50V Z	
C233	HCBS1H223ZFT	CAP , CERAMIC	0.022UF 50V Z	
C234	HCBS1H473ZFT	CAP , CERAMIC	0.047UF 50V Z	
C235	HCBS1H104ZFT	CAP , CERAMIC	0.1UF 50V Z	
C236	HCQI1H822JZT	CAP , MYLAR	8200PF 50V J	
C237	HCBS1H103ZFT	CAP , CERAMIC	0.01UF 50V Z	
C238	HCBS1H104ZFT	CAP , CERAMIC	0.1UF 50V Z	
C239	HCBS1H104ZFT	CAP , CERAMIC	0.1UF 50V Z	
C240	CCEA1HKS1R0T	CAP, ELE 1UF/50V/5MM HEIGHT	00107-0029	
C241	CCEA1CKS470T	CAP, ELECT 47UF/16V/5MM HEIGHT	00107-1051	
C242	CCEA1CKS100T	CAP , ELECT		
C243	HCBS1H223ZFT	CAP , CERAMIC	0.022UF 50V Z	
C244	HCBS1H223ZFT	CAP , CERAMIC	0.022UF 50V Z	
C245	HCEA1HKSR47T	CAP , ELECT	0.47UF 50V KS	
C246	CCEA1CKS101T	CAP , ELECT		
C247	HCBS1H104ZFT	CAP , CERAMIC	0.1UF 50V Z	
C248	HCEA1HKSR47T	CAP , ELECT	0.47UF 50V KS	
C249	CCEA1CKS100T	CAP , ELECT		
C250	CCEA1CKS100T	CAP , ELECT		
C251	CCEA1HKS1R0T	CAP, ELE 1UF/50V/5MM HEIGHT	00107-0029	
C252	HCBS1H121KBT	CAP , CERAMIC	120PF 50V K	
C253	HCBS1H104ZFT	CAP , CERAMIC	0.1UF 50V Z	
C254	CCEA1CKS101T	CAP , ELECT		
C255	CCKT1H201KB	CAP , CERAMIC	200PF 50V KB	
C256	CCEA1HKS1R0T	CAP, ELE 1UF/50V/5MM HEIGHT	00107-0029	
C257	HCBS1H103ZFT	CAP , CERAMIC	0.01UF 50V Z	
C258	CCEA1HKS1R0T	CAP, ELE 1UF/50V/5MM HEIGHT	00107-0029	
C259	HCBS1H104ZFT	CAP , CERAMIC	0.1UF 50V Z	
C260	HCBS1H104ZFT	CAP , CERAMIC	0.1UF 50V Z	
C261	CCEA1CKS101T	CAP , ELECT		
C262	HCBS1H104ZFT	CAP , CERAMIC	0.1UF 50V Z	
C301	HCBS1H223ZFT	CAP , CERAMIC	0.022UF 50V Z	
C302	HCBS1H223ZFT	CAP , CERAMIC	0.022UF 50V Z	
C303	HCBS1H104ZFT	CAP , CERAMIC	0.1UF 50V Z	
C304	CCEA1CKS470T	CAP, ELECT 47UF/16V/5MM HEIGHT	00107-1051	
C305	CCEA1HKS1R0T	CAP, ELE 1UF/50V/5MM HEIGHT	00107-0029	
C306	HCBS1H220JT	CAP , CERAMIC		
C307	HCBS1H220JT	CAP , CERAMIC		
C308	HCBS1H180JT	CAP , CERAMIC		
C309	HCBS1H180JT	CAP , CERAMIC		
C310	HCBS1H104ZFT	CAP , CERAMIC	0.1UF 50V Z	
C311	CCEA1EH331T	CAP , ELECT	330UF 25V	
C312	CCEA1CKS101T	CAP , ELECT		
C313	HCBS1H222KBT	CAP , CERAMIC	2200PF 50V K	
C314	CCEA1CKS101T	CAP , ELECT		
C315	HCBS1H222KBT	CAP , CERAMIC	2200PF 50V K	
C316	HCBS1H102KBT	CAP , CERAMIC	1000PF 50V B	
C317	CCEA1HKS1R0T	CAP, ELE 1UF/50V/5MM HEIGHT	00107-0029	
C318	HCBS1H104ZFT	CAP , CERAMIC	0.1UF 50V Z	
C319	HCBS1H103ZFT	CAP , CERAMIC	0.01UF 50V Z	

SEQ.	PART NO.	DESCRIPTION	SPECIFICATION	REMARKS
C320	HCBS1H101KBT	CAP , CERAMIC	100PF 50V K	
C321	CCEA1CKS470T	CAP, ELECT 47UF/16V/5MM HEIGHT	00107-1051	
C322	HCBS1H103ZFT	CAP , CERAMIC	0.01UF 50V Z	
C323	CCEA1HKS1R0T	CAP, ELE 1UF/50V/5MM HEIGHT	00107-0029	
C324	HCBS1H180JT	CAP , CERAMIC		
C325	HCBS1H180JT	CAP , CERAMIC		
C326	HCBS1H104ZFT	CAP , CERAMIC	0.1UF 50V Z	
C327	HCBS1H102KBT	CAP , CERAMIC	1000PF 50V B	
C328	CCEA1CKS470T	CAP, ELECT 47UF/16V/5MM HEIGHT	00107-1051	
C329	HCBS1H223ZFT	CAP , CERAMIC	0.022UF 50V Z	
C330	HCBS1H104ZFT	CAP , CERAMIC	0.1UF 50V Z	
C331	HCBS1H223ZFT	CAP , CERAMIC	0.022UF 50V Z	
C332	HCBS1H103ZFT	CAP , CERAMIC	0.01UF 50V Z	
C333	HCBS1H103ZFT	CAP , CERAMIC	0.01UF 50V Z	
C334	HCBS1H223ZFT	CAP , CERAMIC	0.022UF 50V Z	
C335	HCBS1H223ZFT	CAP , CERAMIC	0.022UF 50V Z	
C336	HCBS1H103ZFT	CAP , CERAMIC	0.01UF 50V Z	
C337	HCBS1H103ZFT	CAP , CERAMIC	0.01UF 50V Z	
C338	HCBS1H103ZFT	CAP , CERAMIC	0.01UF 50V Z	
C339	HCBS1H103ZFT	CAP , CERAMIC	0.01UF 50V Z	
C340	HCBS1H181KBT	CAP , CERAMIC	180PF 50V K	
C341	HCBS1H561KBT	CAP , CERAMIC		
C342	HCBS1H104ZFT	CAP , CERAMIC	0.1UF 50V Z	
C343	HCBS1H102KBT	CAP , CERAMIC	1000PF 50V B	
C344	HCBS1H103ZFT	CAP , CERAMIC	0.01UF 50V Z	
C345	HCBS1H103ZFT	CAP , CERAMIC	0.01UF 50V Z	
C346	HCBS1H104ZFT	CAP , CERAMIC	0.1UF 50V Z	
C347	HCBS1H104ZFT	CAP , CERAMIC	0.1UF 50V Z	
C348	CCEA1CKS101T	CAP , ELECT		
C349	HCBS1H471KBT	CAP , CERAMIC		
C447	CCEA1AH101T	CAP. ELECT		
C506	CCEA1CKS470T	CAP, ELECT 47UF/16V/5MM HEIGHT	00107-1051	
C521	CCEA1CH470T	CAP, ELE 47UF/16V/-40~+85	00107-1007	
C522	CCKT1H103ZF	CAP , CERAMIC	0.01UF 50V ZF	
C523	CCEA1HH220T	CAP, ELE 22UF/50V/-40~+85	00107-1033	
C524	CCKT1H103ZF	CAP , CERAMIC	0.01UF 50V ZF	
C525	CCEA1CH101T	CAP, ELE 100UF/16V/-40~+85	00107-1003	
C526	CCKT1H103ZF	CAP , CERAMIC	0.01UF 50V ZF	
C528	CCEA1HHR22T	CAP , ELECT		
C529	CCEA1CH471T	CAP , ELECT		
C530	CCEA1CH470T	CAP, ELE 47UF/16V/-40~+85	00107-1007	
C531	CCKT1H103ZF	CAP , CERAMIC	0.01UF 50V ZF	
C532	CCEA1CKS470T	CAP, ELECT 47UF/16V/5MM HEIGHT	00107-1051	
C533	HCBS1H101KBT	CAP , CERAMIC	100PF 50V K	
C535	HCBS1H101KBT	CAP , CERAMIC	100PF 50V K	
C815	CCEA1EH221T	CAP. ELECT	220UF 25V	
C816	CCEA1EH470T	CAP, ELE 47UF/25V/-40~+86	00107-1007	
C817	CCEA1CH101T	CAP, ELE 100UF/16V/-40~+85	00107-1003	
C821	CCEA1AH471T	CAP, ELECT 470UF/10V/-40~+85	00107-1001	
C822	CCEA1EH470T	CAP, ELE 47UF/25V/-40~+86	00107-1007	
C823	HCQI1H103JZT	CAP , MYLAR	0.01UF 50V J	
C824	CCEA1CH101T	CAP, ELE 100UF/16V/-40~+85	00107-1003	
C826	HCQI1H103JZT	CAP , MYLAR	0.01UF 50V J	
C827	CCEA1EH470T	CAP, ELE 47UF/25V/-40~+86	00107-1007	

SEQ.	PART NO.	DESCRIPTION	SPECIFICATION	REMARKS
C828	CCEA1CH101T	CAP, ELE 100UF/16V/-40~+85	00107-1003	
C830	CCEA1EH101T	CAP , ELECT	100UF 25V	
C912	CCEA1CH100T	CAP, ELE 10UF/16V/-40~+86	00107-1027	
C913	HCQI1H682JZT	CAP , MYLAR	6800PF 50V J	
C914	CCEA1CH470T	CAP, ELE 47UF/16V/-40~+85	00107-1007	
C915	CCEA1CH470T	CAP, ELE 47UF/16V/-40~+85	00107-1007	
C916	CCEA1CH470T	CAP, ELE 47UF/16V/-40~+85	00107-1007	
C917	CCEA1CH100T	CAP, ELE 10UF/16V/-40~+86	00107-1027	
C918	CCEA1HH2R2T	CAP, ELECT 2.2UF/50V/-40~+85		
C919	CCEA1CH100T	CAP, ELE 10UF/16V/-40~+86	00107-1027	
C920	HCQI1H682JZT	CAP , MYLAR	6800PF 50V J	
C921	CCEA1CH100T	CAP, ELE 10UF/16V/-40~+86	00107-1027	
C922	CCEA1CH100T	CAP, ELE 10UF/16V/-40~+86	00107-1027	
C923	HCBS1H223ZFT	CAP , CERAMIC	0.022UF 50V Z	
C923	HCBS1H223ZFT	CAP , CERAMIC	0.022UF 50V Z	
C924	CCEA1CH100T	CAP, ELE 10UF/16V/-40~+86	00107-1027	
C925	CCEA1CH100T	CAP, ELE 10UF/16V/-40~+86	00107-1027	
C926	CCEA1CH100T	CAP, ELE 10UF/16V/-40~+86	00107-1027	
C927	CCEA1CH100T	CAP, ELE 10UF/16V/-40~+86	00107-1027	
C929	KCQE1J474KXT	CAP , METALIZED	0.47UF 63V	
C930	KCQE1J474KXT	CAP , METALIZED	0.47UF 63V	
C931	HCBS1H104ZFT	CAP , CERAMIC	0.1UF 50V Z	
C932	HCBS1H104ZFT	CAP , CERAMIC	0.1UF 50V Z	
C934	HCBS1H104ZFT	CAP , CERAMIC	0.1UF 50V Z	
C935	HCBS1H104ZFT	CAP , CERAMIC	0.1UF 50V Z	
C937	CCEA1CK5470T	CAP, ELECT 47UF/16V/5MM HEIGHT	00107-1051	
C938	HCQI1H122JZT	CAP , MYLAR	1200PF 50V J	
C939	HCBS1H104ZFT	CAP , CERAMIC	0.1UF 50V Z	
D001	HVD1SS133MT	DIODE	1SS133T-77	
D002	HVD1SS133MT	DIODE	1SS133T-77	
D003	HVD1SS133MT	DIODE	1SS133T-77	
D004	HVD1SS133MT	DIODE	1SS133T-77	
D006	HVD1SS133MT	DIODE	1SS133T-77	
D007	KVD1N4003ST	DIODE	1N4003	
D008	KVD1N4003ST	DIODE	1N4003	
D009	KVD1N4003ST	DIODE	1N4003	
D010	HVD1SS133MT	DIODE	1SS133T-77	
D305	HVD1SR139-400T	DIODE	1SR139-400T	
D307	HVD1SR139-400T	DIODE	1SR139-400T	
D501	HVD1SR139-400T	DIODE	1SR139-400T	
D502	HVD1SS133MT	DIODE	1SS133T-77	
D503	HVD1SS133MT	DIODE	1SS133T-77	
D809	HVDMTZJ9.1BT	DIODE , ZENER		
D810	HVDMTZJ5.6BT	DIODE , ZENER		
D813	HVD1SS133MT	DIODE	1SS133T-77	
D816	HVDMTZJ5.6BT	DIODE , ZENER		
IC33	HVIKA75330ZT	I.C , VOLTAGE	KA75330	
IC34	HVIKA75390ZT	I.C , VOLTAGE	KA75390	
IC52	HVIKA33VTA	I.C , ZENER	KA33VTA	
J001	C3A206	WIRE , COPPER	SN95/PB5 , 0.6	
J002	C3A206	WIRE , COPPER	SN95/PB5 , 0.6	
J003	C3A206	WIRE , COPPER	SN95/PB5 , 0.6	
J004	C3A206	WIRE , COPPER	SN95/PB5 , 0.6	
J006	C3A206	WIRE , COPPER	SN95/PB5 , 0.6	

SEQ.	PART NO.	DESCRIPTION	SPECIFICATION	REMARKS
J007	C3A206	WIRE , COPPER	SN95/PB5 , 0.6	
J008	C3A206	WIRE , COPPER	SN95/PB5 , 0.6	
J009	C3A206	WIRE , COPPER	SN95/PB5 , 0.6	
J010	C3A206	WIRE , COPPER	SN95/PB5 , 0.6	
J012	C3A206	WIRE , COPPER	SN95/PB5 , 0.6	
J013	C3A206	WIRE , COPPER	SN95/PB5 , 0.6	
J014	C3A206	WIRE , COPPER	SN95/PB5 , 0.6	
J018	C3A206	WIRE , COPPER	SN95/PB5 , 0.6	
J019	C3A206	WIRE , COPPER	SN95/PB5 , 0.6	
J021	C3A206	WIRE , COPPER	SN95/PB5 , 0.6	
J023	C3A206	WIRE , COPPER	SN95/PB5 , 0.6	
J024	C3A206	WIRE , COPPER	SN95/PB5 , 0.6	
J025	C3A206	WIRE , COPPER	SN95/PB5 , 0.6	
J027	C3A206	WIRE , COPPER	SN95/PB5 , 0.6	
J028	C3A206	WIRE , COPPER	SN95/PB5 , 0.6	
J029	C3A206	WIRE , COPPER	SN95/PB5 , 0.6	
J030	C3A206	WIRE , COPPER	SN95/PB5 , 0.6	
J031	C3A206	WIRE , COPPER	SN95/PB5 , 0.6	
J032	C3A206	WIRE , COPPER	SN95/PB5 , 0.6	
J033	C3A206	WIRE , COPPER	SN95/PB5 , 0.6	
J034	C3A206	WIRE , COPPER	SN95/PB5 , 0.6	
J035	C3A206	WIRE , COPPER	SN95/PB5 , 0.6	
J036	C3A206	WIRE , COPPER	SN95/PB5 , 0.6	
J037	C3A206	WIRE , COPPER	SN95/PB5 , 0.6	
J038	C3A206	WIRE , COPPER	SN95/PB5 , 0.6	
J039	C3A206	WIRE , COPPER	SN95/PB5 , 0.6	
J040	C3A206	WIRE , COPPER	SN95/PB5 , 0.6	
J041	C3A206	WIRE , COPPER	SN95/PB5 , 0.6	
J042	C3A206	WIRE , COPPER	SN95/PB5 , 0.6	
J043	C3A206	WIRE , COPPER	SN95/PB5 , 0.6	
J044	C3A206	WIRE , COPPER	SN95/PB5 , 0.6	
J045	C3A206	WIRE , COPPER	SN95/PB5 , 0.6	
J048	C3A206	WIRE , COPPER	SN95/PB5 , 0.6	
J049	C3A206	WIRE , COPPER	SN95/PB5 , 0.6	
J052	C3A206	WIRE , COPPER	SN95/PB5 , 0.6	
J053	C3A206	WIRE , COPPER	SN95/PB5 , 0.6	
J054	C3A206	WIRE , COPPER	SN95/PB5 , 0.6	
J055	C3A206	WIRE , COPPER	SN95/PB5 , 0.6	
J056	C3A206	WIRE , COPPER	SN95/PB5 , 0.6	
J057	C3A206	WIRE , COPPER	SN95/PB5 , 0.6	
J058	C3A206	WIRE , COPPER	SN95/PB5 , 0.6	
J059	C3A206	WIRE , COPPER	SN95/PB5 , 0.6	
J060	C3A206	WIRE , COPPER	SN95/PB5 , 0.6	
J061	C3A206	WIRE , COPPER	SN95/PB5 , 0.6	
J062	C3A206	WIRE , COPPER	SN95/PB5 , 0.6	
J063	C3A206	WIRE , COPPER	SN95/PB5 , 0.6	
J064	C3A206	WIRE , COPPER	SN95/PB5 , 0.6	
J065	C3A206	WIRE , COPPER	SN95/PB5 , 0.6	
J066	C3A206	WIRE , COPPER	SN95/PB5 , 0.6	
J067	C3A206	WIRE , COPPER	SN95/PB5 , 0.6	
J068	C3A206	WIRE , COPPER	SN95/PB5 , 0.6	
J073	C3A206	WIRE , COPPER	SN95/PB5 , 0.6	
J075	C3A206	WIRE , COPPER	SN95/PB5 , 0.6	
J076	C3A206	WIRE , COPPER	SN95/PB5 , 0.6	

SEQ.	PART NO.	DESCRIPTION	SPECIFICATION	REMARKS
J077	C3A206	WIRE , COPPER	SN95/PB5 , 0.6	
J078	C3A206	WIRE , COPPER	SN95/PB5 , 0.6	
J082	C3A206	WIRE , COPPER	SN95/PB5 , 0.6	
J083	C3A206	WIRE , COPPER	SN95/PB5 , 0.6	
J084	C3A206	WIRE , COPPER	SN95/PB5 , 0.6	
J086	C3A206	WIRE , COPPER	SN95/PB5 , 0.6	
J094	C3A206	WIRE , COPPER	SN95/PB5 , 0.6	
J096	C3A206	WIRE , COPPER	SN95/PB5 , 0.6	
J097	C3A206	WIRE , COPPER	SN95/PB5 , 0.6	
J099	C3A206	WIRE , COPPER	SN95/PB5 , 0.6	
J100	C3A206	WIRE , COPPER	SN95/PB5 , 0.6	
J102	C3A206	WIRE , COPPER	SN95/PB5 , 0.6	
J103	C3A206	WIRE , COPPER	SN95/PB5 , 0.6	
J104	C3A206	WIRE , COPPER	SN95/PB5 , 0.6	
J106	C3A206	WIRE , COPPER	SN95/PB5 , 0.6	
J107	C3A206	WIRE , COPPER	SN95/PB5 , 0.6	
J109	C3A206	WIRE , COPPER	SN95/PB5 , 0.6	
J110	C3A206	WIRE , COPPER	SN95/PB5 , 0.6	
J111	C3A206	WIRE , COPPER	SN95/PB5 , 0.6	
J112	C3A206	WIRE , COPPER	SN95/PB5 , 0.6	
J113	C3A206	WIRE , COPPER	SN95/PB5 , 0.6	
J114	C3A206	WIRE , COPPER	SN95/PB5 , 0.6	
J115	C3A206	WIRE , COPPER	SN95/PB5 , 0.6	
J116	C3A206	WIRE , COPPER	SN95/PB5 , 0.6	
J117	C3A206	WIRE , COPPER	SN95/PB5 , 0.6	
J118	C3A206	WIRE , COPPER	SN95/PB5 , 0.6	
J120	C3A206	WIRE , COPPER	SN95/PB5 , 0.6	
J121	C3A206	WIRE , COPPER	SN95/PB5 , 0.6	
J122	C3A206	WIRE , COPPER	SN95/PB5 , 0.6	
J123	C3A206	WIRE , COPPER	SN95/PB5 , 0.6	
J124	C3A206	WIRE , COPPER	SN95/PB5 , 0.6	
J125	C3A206	WIRE , COPPER	SN95/PB5 , 0.6	
J126	C3A206	WIRE , COPPER	SN95/PB5 , 0.6	
J127	C3A206	WIRE , COPPER	SN95/PB5 , 0.6	
J128	C3A206	WIRE , COPPER	SN95/PB5 , 0.6	
J130	C3A206	WIRE , COPPER	SN95/PB5 , 0.6	
J131	C3A206	WIRE , COPPER	SN95/PB5 , 0.6	
J136	C3A206	WIRE , COPPER	SN95/PB5 , 0.6	
J137	C3A206	WIRE , COPPER	SN95/PB5 , 0.6	
J138	C3A206	WIRE , COPPER	SN95/PB5 , 0.6	
J139	C3A206	WIRE , COPPER	SN95/PB5 , 0.6	
J140	C3A206	WIRE , COPPER	SN95/PB5 , 0.6	
J143	C3A206	WIRE , COPPER	SN95/PB5 , 0.6	
J144	C3A206	WIRE , COPPER	SN95/PB5 , 0.6	
J145	C3A206	WIRE , COPPER	SN95/PB5 , 0.6	
J146	C3A206	WIRE , COPPER	SN95/PB5 , 0.6	
J148	C3A206	WIRE , COPPER	SN95/PB5 , 0.6	
J149	C3A206	WIRE , COPPER	SN95/PB5 , 0.6	
J150	C3A206	WIRE , COPPER	SN95/PB5 , 0.6	
J151	C3A206	WIRE , COPPER	SN95/PB5 , 0.6	
J152	C3A206	WIRE , COPPER	SN95/PB5 , 0.6	
J153	C3A206	WIRE , COPPER	SN95/PB5 , 0.6	
J154	C3A206	WIRE , COPPER	SN95/PB5 , 0.6	
J156	C3A206	WIRE , COPPER	SN95/PB5 , 0.6	

SEQ.	PART NO.	DESCRIPTION	SPECIFICATION	REMARKS
J157	C3A206	WIRE , COPPER	SN95/PB5 , 0.6	
J158	C3A206	WIRE , COPPER	SN95/PB5 , 0.6	
J159	C3A206	WIRE , COPPER	SN95/PB5 , 0.6	
J160	C3A206	WIRE , COPPER	SN95/PB5 , 0.6	
J161	C3A206	WIRE , COPPER	SN95/PB5 , 0.6	
J162	C3A206	WIRE , COPPER	SN95/PB5 , 0.6	
J163	C3A206	WIRE , COPPER	SN95/PB5 , 0.6	
J164	C3A206	WIRE , COPPER	SN95/PB5 , 0.6	
J165	C3A206	WIRE , COPPER	SN95/PB5 , 0.6	
J166	C3A206	WIRE , COPPER	SN95/PB5 , 0.6	
J167	C3A206	WIRE , COPPER	SN95/PB5 , 0.6	
J169	C3A206	WIRE , COPPER	SN95/PB5 , 0.6	
J170	C3A206	WIRE , COPPER	SN95/PB5 , 0.6	
J171	C3A206	WIRE , COPPER	SN95/PB5 , 0.6	
J172	C3A206	WIRE , COPPER	SN95/PB5 , 0.6	
J173	C3A206	WIRE , COPPER	SN95/PB5 , 0.6	
J174	C3A206	WIRE , COPPER	SN95/PB5 , 0.6	
J175	C3A206	WIRE , COPPER	SN95/PB5 , 0.6	
J176	C3A206	WIRE , COPPER	SN95/PB5 , 0.6	
J177	C3A206	WIRE , COPPER	SN95/PB5 , 0.6	
J178	C3A206	WIRE , COPPER	SN95/PB5 , 0.6	
J179	C3A206	WIRE , COPPER	SN95/PB5 , 0.6	
J180	C3A206	WIRE , COPPER	SN95/PB5 , 0.6	
J181	C3A206	WIRE , COPPER	SN95/PB5 , 0.6	
J182	C3A206	WIRE , COPPER	SN95/PB5 , 0.6	
J183	C3A206	WIRE , COPPER	SN95/PB5 , 0.6	
J184	C3A206	WIRE , COPPER	SN95/PB5 , 0.6	
J185	C3A206	WIRE , COPPER	SN95/PB5 , 0.6	
J186	C3A206	WIRE , COPPER	SN95/PB5 , 0.6	
J187	C3A206	WIRE , COPPER	SN95/PB5 , 0.6	
J188	C3A206	WIRE , COPPER	SN95/PB5 , 0.6	
J190	C3A206	WIRE , COPPER	SN95/PB5 , 0.6	
J191	C3A206	WIRE , COPPER	SN95/PB5 , 0.6	
J192	C3A206	WIRE , COPPER	SN95/PB5 , 0.6	
J193	C3A206	WIRE , COPPER	SN95/PB5 , 0.6	
J194	C3A206	WIRE , COPPER	SN95/PB5 , 0.6	
J197	C3A206	WIRE , COPPER	SN95/PB5 , 0.6	
J198	C3A206	WIRE , COPPER	SN95/PB5 , 0.6	
J199	C3A206	WIRE , COPPER	SN95/PB5 , 0.6	
J200	C3A206	WIRE , COPPER	SN95/PB5 , 0.6	
J201	C3A206	WIRE , COPPER	SN95/PB5 , 0.6	
J202	C3A206	WIRE , COPPER	SN95/PB5 , 0.6	
J203	C3A206	WIRE , COPPER	SN95/PB5 , 0.6	
J204	C3A206	WIRE , COPPER	SN95/PB5 , 0.6	
J206	C3A206	WIRE , COPPER	SN95/PB5 , 0.6	
J209	C3A206	WIRE , COPPER	SN95/PB5 , 0.6	
J210	C3A206	WIRE , COPPER	SN95/PB5 , 0.6	
J211	C3A206	WIRE , COPPER	SN95/PB5 , 0.6	
J212	C3A206	WIRE , COPPER	SN95/PB5 , 0.6	
J214	C3A206	WIRE , COPPER	SN95/PB5 , 0.6	
J215	C3A206	WIRE , COPPER	SN95/PB5 , 0.6	
J217	C3A206	WIRE , COPPER	SN95/PB5 , 0.6	
J218	C3A206	WIRE , COPPER	SN95/PB5 , 0.6	
J221	C3A206	WIRE , COPPER	SN95/PB5 , 0.6	

SEQ.	PART NO.	DESCRIPTION	SPECIFICATION	REMARKS
J222	C3A206	WIRE , COPPER	SN95/PB5 , 0.6	
J223	C3A206	WIRE , COPPER	SN95/PB5 , 0.6	
J224	C3A206	WIRE , COPPER	SN95/PB5 , 0.6	
J300	C3A206	WIRE , COPPER	SN95/PB5 , 0.6	
J301	C3A206	WIRE , COPPER	SN95/PB5 , 0.6	
J302	C3A206	WIRE , COPPER	SN95/PB5 , 0.6	
J303	C3A206	WIRE , COPPER	SN95/PB5 , 0.6	
J304	C3A206	WIRE , COPPER	SN95/PB5 , 0.6	
J306	C3A206	WIRE , COPPER	SN95/PB5 , 0.6	
J307	C3A206	WIRE , COPPER	SN95/PB5 , 0.6	
J308	C3A206	WIRE , COPPER	SN95/PB5 , 0.6	
J309	C3A206	WIRE , COPPER	SN95/PB5 , 0.6	
J310	C3A206	WIRE , COPPER	SN95/PB5 , 0.6	
J311	C3A206	WIRE , COPPER	SN95/PB5 , 0.6	
J312	C3A206	WIRE , COPPER	SN95/PB5 , 0.6	
J313	C3A206	WIRE , COPPER	SN95/PB5 , 0.6	
J314	C3A206	WIRE , COPPER	SN95/PB5 , 0.6	
J315	C3A206	WIRE , COPPER	SN95/PB5 , 0.6	
J316	C3A206	WIRE , COPPER	SN95/PB5 , 0.6	
J317	C3A206	WIRE , COPPER	SN95/PB5 , 0.6	
J318	C3A206	WIRE , COPPER	SN95/PB5 , 0.6	
J319	C3A206	WIRE , COPPER	SN95/PB5 , 0.6	
J320	C3A206	WIRE , COPPER	SN95/PB5 , 0.6	
J322	C3A206	WIRE , COPPER	SN95/PB5 , 0.6	
J323	C3A206	WIRE , COPPER	SN95/PB5 , 0.6	
J324	C3A206	WIRE , COPPER	SN95/PB5 , 0.6	
J325	C3A206	WIRE , COPPER	SN95/PB5 , 0.6	
J326	C3A206	WIRE , COPPER	SN95/PB5 , 0.6	
J327	C3A206	WIRE , COPPER	SN95/PB5 , 0.6	
J328	C3A206	WIRE , COPPER	SN95/PB5 , 0.6	
J329	C3A206	WIRE , COPPER	SN95/PB5 , 0.6	
J330	C3A206	WIRE , COPPER	SN95/PB5 , 0.6	
J331	C3A206	WIRE , COPPER	SN95/PB5 , 0.6	
J332	C3A206	WIRE , COPPER	SN95/PB5 , 0.6	
J333	C3A206	WIRE , COPPER	SN95/PB5 , 0.6	
J334	C3A206	WIRE , COPPER	SN95/PB5 , 0.6	
J335	C3A206	WIRE , COPPER	SN95/PB5 , 0.6	
J336	C3A206	WIRE , COPPER	SN95/PB5 , 0.6	
J337	C3A206	WIRE , COPPER	SN95/PB5 , 0.6	
J338	C3A206	WIRE , COPPER	SN95/PB5 , 0.6	
J339	C3A206	WIRE , COPPER	SN95/PB5 , 0.6	
J341	C3A206	WIRE , COPPER	SN95/PB5 , 0.6	
J342	C3A206	WIRE , COPPER	SN95/PB5 , 0.6	
J343	C3A206	WIRE , COPPER	SN95/PB5 , 0.6	
J344	C3A206	WIRE , COPPER	SN95/PB5 , 0.6	
J345	C3A206	WIRE , COPPER	SN95/PB5 , 0.6	
J346	C3A206	WIRE , COPPER	SN95/PB5 , 0.6	
J347	C3A206	WIRE , COPPER	SN95/PB5 , 0.6	
J348	C3A206	WIRE , COPPER	SN95/PB5 , 0.6	
J349	C3A206	WIRE , COPPER	SN95/PB5 , 0.6	
J350	C3A206	WIRE , COPPER	SN95/PB5 , 0.6	
J352	C3A206	WIRE , COPPER	SN95/PB5 , 0.6	
J353	C3A206	WIRE , COPPER	SN95/PB5 , 0.6	
J355	C3A206	WIRE , COPPER	SN95/PB5 , 0.6	

SEQ.	PART NO.	DESCRIPTION	SPECIFICATION	REMARKS
J356	C3A206	WIRE , COPPER	SN95/PB5 , 0.6	
J357	C3A206	WIRE , COPPER	SN95/PB5 , 0.6	
J358	C3A206	WIRE , COPPER	SN95/PB5 , 0.6	
J359	C3A206	WIRE , COPPER	SN95/PB5 , 0.6	
J360	C3A206	WIRE , COPPER	SN95/PB5 , 0.6	
J361	C3A206	WIRE , COPPER	SN95/PB5 , 0.6	
J362	C3A206	WIRE , COPPER	SN95/PB5 , 0.6	
J363	C3A206	WIRE , COPPER	SN95/PB5 , 0.6	
J364	C3A206	WIRE , COPPER	SN95/PB5 , 0.6	
J365	C3A206	WIRE , COPPER	SN95/PB5 , 0.6	
J366	C3A206	WIRE , COPPER	SN95/PB5 , 0.6	
J367	C3A206	WIRE , COPPER	SN95/PB5 , 0.6	
J368	C3A206	WIRE , COPPER	SN95/PB5 , 0.6	
J369	C3A206	WIRE , COPPER	SN95/PB5 , 0.6	
J370	C3A206	WIRE , COPPER	SN95/PB5 , 0.6	
J371	C3A206	WIRE , COPPER	SN95/PB5 , 0.6	
J372	C3A206	WIRE , COPPER	SN95/PB5 , 0.6	
J373	C3A206	WIRE , COPPER	SN95/PB5 , 0.6	
J374	C3A206	WIRE , COPPER	SN95/PB5 , 0.6	
J375	C3A206	WIRE , COPPER	SN95/PB5 , 0.6	
J376	C3A206	WIRE , COPPER	SN95/PB5 , 0.6	
J377	C3A206	WIRE , COPPER	SN95/PB5 , 0.6	
J378	C3A206	WIRE , COPPER	SN95/PB5 , 0.6	
J379	C3A206	WIRE , COPPER	SN95/PB5 , 0.6	
J380	C3A206	WIRE , COPPER	SN95/PB5 , 0.6	
J381	C3A206	WIRE , COPPER	SN95/PB5 , 0.6	
J382	C3A206	WIRE , COPPER	SN95/PB5 , 0.6	
J384	C3A206	WIRE , COPPER	SN95/PB5 , 0.6	
J385	C3A206	WIRE , COPPER	SN95/PB5 , 0.6	
J387	C3A206	WIRE , COPPER	SN95/PB5 , 0.6	
J388	C3A206	WIRE , COPPER	SN95/PB5 , 0.6	
J503	C3A206	WIRE , COPPER	SN95/PB5 , 0.6	
J504	C3A206	WIRE , COPPER	SN95/PB5 , 0.6	
J505	C3A206	WIRE , COPPER	SN95/PB5 , 0.6	
J507	C3A206	WIRE , COPPER	SN95/PB5 , 0.6	
J509	C3A206	WIRE , COPPER	SN95/PB5 , 0.6	
J512	C3A206	WIRE , COPPER	SN95/PB5 , 0.6	
J513	C3A206	WIRE , COPPER	SN95/PB5 , 0.6	
J905	C3A206	WIRE , COPPER	SN95/PB5 , 0.6	
J906	C3A206	WIRE , COPPER	SN95/PB5 , 0.6	
L003	KLT4R7K991T	COIL	4.7UH	
L004	KLT4R7K991T	COIL	4.7UH	
L005	KLT101K991T	COIL	100UH	
L101	KLT150K991T	COIL , PEAKING	UH 15 KT	
L201	KLT680K991T	COIL		
L202	KLT680K991T	COIL		
L203	KLT100K991T	COIL , CHOK		
L205	KLT100K991T	COIL , CHOK		
L207	KLT101K991T	COIL	100UH	
L208	KLT101K991T	COIL	100UH	
L209	KLT100K991T	COIL , CHOK		
L210	KLT100K991T	COIL , CHOK		
L211	KLT101K991T	COIL	100UH	
L410	KLE1H3580SV	CORE , BEAD	PI3.5*8MM	

SEQ.	PART NO.	DESCRIPTION	SPECIFICATION	REMARKS
L411	KLE1H3580SV	CORE , BEAD	PI3.5*8MM	
L504	KLT150K991T	COIL , PEAKING	UH 15 KT	
Q101	KVTKSA1175YT	T.R	KSA1175Y	
Q201	HVTKTC3198YT	T.R		
Q202	KVTKTC3203YT	T.R	KTC3203Y	
Q203	HVTKTC3198YT	T.R		
Q204	HVTKTC3198YT	T.R		
Q205	HVTKTA1266YT	T.R	TKTA1266YT	
Q206	HVTKTA1266YT	T.R	TKTA1266YT	
Q211	HVTKTC3198YT	T.R		
Q501	KVTKSA1175YT	T.R	KSA1175Y	
Q502	KVTKSC2785YT	T.R	KSC2785Y	
Q508	KVTKSA1175YT	T.R	KSA1175Y	
Q801	HVTKSA928AYT	T.R	KSA928AY	
Q802	HVTKSC2328AYT	T.R	KSC2328AY	
Q803	HVTKSC945CYT	T.R	KSC945CY	
Q804	HVTKSC2328AYT	T.R	KSC2328AY	
Q805	KVTFJNS3201RTA	T.R	FJNS3201RTA	
Q806	KVTFJNS3201RTA	T.R	FJNS3201RTA	
Q807	HVTKSC2328AYT	T.R	KSC2328AY	
R001	CRD20TJ102T	RES , CARBON	1K OHM 1/5W J	
R007	CRD20TJ101T	RES , CARBON	100 OHM 1/5W J	
R008	CRD20TJ101T	RES , CARBON	100 OHM 1/5W J	
R009	CRD20TJ273T	RES , CARBON	27K OHM 1/5W J	
R010	CRD20TJ752T	RES , CARBON	7.5K OHM 1/5W J	
R011	CRD20TJ752T	RES , CARBON	7.5K OHM 1/5W J	
R101	CRD20TJ105T	RES , CARBON	1M OHM 1/5W J	
R102	CRD20TJ222T	RES , CARBON	2.2K OHM 1/5W J	
R103	CRD20TJ104T	RES , CARBON	100K OHM 1/5W J	
R104	CRD20TJ125T	RES , CARBON	1.2M 1/5W J	
R105	CRD20TJ391T	RES , CARBON	390 OHM 1/5W	
R106	CRD20TJ682T	RES , CARBON	6.8K OHM 1/5W J	
R107	CRD20TJ125T	RES , CARBON	1.2M 1/5W J	
R108	CRD20TJ682T	RES , CARBON	6.8K OHM 1/5W J	
R109	CRD20TJ101T	RES , CARBON	100 OHM 1/5W J	
R110	CRD20TJ101T	RES , CARBON	100 OHM 1/5W J	
R201	CRD20TJ102T	RES , CARBON	1K OHM 1/5W J	
R202	CRD20TJ102T	RES , CARBON	1K OHM 1/5W J	
R203	CRD20TJ334T	RES , CARBON	330K OHM 1/5W	
R204	CRD20TJ131T	RES , CARBON	130OHM 1/5W J	
R205	CRD20TJ303T	RES , CARBON	30K OHM 1/5W J	
R206	CRD20TJ821T	RES , CARBON	820 OHM 1/5W J	
R207	CRD20TJ223T	RES , CARBON	22K OHM 1/5W J	
R208	CRD20TJ222T	RES , CARBON	2.2K OHM 1/5W J	
R209	CRD25TJ223T	RES , CARBON	22K OHM 1/4W J	
R211	CRD20TJ225T	RES , CARBON	2.2M 1/5W J	
R216	CRD20TJ682T	RES , CARBON	6.8K OHM 1/5W J	
R217	CRD20TJ392T	RES , CARBON	3.9K OHM 1/5W	
R221	CRD20TJ123T	RES , CARBON	12K OHM 1/5W J	
R222	CRD20TJ561T	RES , CARBON	560 OHM 1/5W J	
R223	CRD20TJ103T	RES , CARBON	10K OHM 1/5W J	
R224	CRD20TJ101T	RES , CARBON	100 OHM 1/5W J	
R226	CRD20TJ181T	RES , CARBON	180 OHM 1/5W J	
R227	CRD20TJ202T	RES , CARBON		

SEQ.	PART NO.	DESCRIPTION	SPECIFICATION	REMARKS
R228	CRD20TJ102T	RES , CARBON	1K OHM 1/5W J	
R229	CRD20TJ103T	RES , CARBON	10K OHM 1/5W J	
R230	CRD25TJ223T	RES , CARBON	22K OHM 1/4W J	
R231	CRD20TJ122T	RES , CARBON	1.2K OHM 1/5W J	
R232	CRD25TJ183T	RES , CARBON		
R233	CRD20TJ122T	RES , CARBON	1.2K OHM 1/5W J	
R234	CRD25TJ822T	RES , CARBON	8.2K OHM 1/4W	
R235	CRD20TJ205T	RES , CARBON	2M OHM 1/5W	
R236	CRD20TJ103T	RES , CARBON	10K OHM 1/5W J	
R237	CRD20TJ103T	RES , CARBON	10K OHM 1/5W J	
R238	CRD20TJ822T	RES , CARBON	8.2K OHM 1/5W J	
R239	CRD20TJ392T	RES , CARBON	3.9K OHM 1/5W	
R240	CRD20TJ101T	RES , CARBON	100 OHM 1/5W J	
R241	CRD20TJ101T	RES , CARBON	100 OHM 1/5W J	
R242	CRD20TJ103T	RES , CARBON	10K OHM 1/5W J	
R243	CRD20TJ203T	RES , CARBON	20K OHM 1/5W	
R244	CRD20TJ103T	RES , CARBON	10K OHM 1/5W J	
R245	CRD20TJ203T	RES , CARBON	20K OHM 1/5W	
R246	CRD20TJ272T	RES , CARBON	2.7K OHM 1/5W J	
R247	CRD20TJ682T	RES , CARBON	6.8K OHM 1/5W J	
R248	CRD20TJ821T	RES , CARBON	820 OHM 1/5W J	
R249	CRD20TJ472T	RES , CARBON	4.7K OHM 1/5W J	
R250	CRD20TJ512T	RES , CARBON	5.1K OHM J	
R251	CRD20TJ104T	RES , CARBON	100K OHM 1/5W J	
R252	CRD20TJ102T	RES , CARBON	1K OHM 1/5W J	
R253	CRD20TJ132T	RES , CARBON	1.3K OHM 1/5W	
R254	CRD20TJ363T	RES , CARBON	36K OHM 1/5W	
R255	CRD20TJ393T	RES , CARBON	39K OHM 1/5W	
R256	CRD20TJ103T	RES , CARBON	10K OHM 1/5W J	
R257	CRD20TJ473T	RES , CARBON	47K OHM 1/5W J	
R258	CRD20TJ111T	RES , CARBON	110 OHM 1/5W J	
R301	CRD20TJ103T	RES , CARBON	10K OHM 1/5W J	
R302	CRD20TJ103T	RES , CARBON	10K OHM 1/5W J	
R303	CRD20TJ473T	RES , CARBON	47K OHM 1/5W J	
R304	CRD25TJ473T	RES , CARBON	47K OHM 1/4W	
R305	KRG14F1002T	RES , METAL FILM	10K (F) 1/4W	
R306	CRD20TJ912T	RES , CARBON	9.1K OHM 1/5W J	
R307	CRD20TJ431T	RES , CARBON	430 OHM 1/5W	
R308	CRD20TJ102T	RES , CARBON	1K OHM 1/5W J	
R309	CRD20TJ102T	RES , CARBON	1K OHM 1/5W J	
R310	CRD20TJ102T	RES , CARBON	1K OHM 1/5W J	
R311	CRD20TJ102T	RES , CARBON	1K OHM 1/5W J	
R312	CRD20TJ102T	RES , CARBON	1K OHM 1/5W J	
R313	CRD20TJ102T	RES , CARBON	1K OHM 1/5W J	
R314	CRD20TJ103T	RES , CARBON	10K OHM 1/5W J	
R315	CRD20TJ105T	RES , CARBON	1M OHM 1/5W J	
R316	CRD20TJ511T	RES , CARBON	510 OHM 1/5W	
R317	CRD25TJ101T	RES , CARBON	100 OHM 1/4W	
R318	CRD20TJ104T	RES , CARBON	100K OHM 1/5W J	
R319	CRD20TJ102T	RES , CARBON	1K OHM 1/5W J	
R320	CRD20TJ103T	RES , CARBON	10K OHM 1/5W J	
R323	CRD20TJ244T	RES , CARBON	240K OHM 1/5W	
R324	CRD20TJ244T	RES , CARBON	240K OHM 1/5W	
R325	CRD20TJ244T	RES , CARBON	240K OHM 1/5W	

SEQ.	PART NO.	DESCRIPTION	SPECIFICATION	REMARKS
R326	CRD20TJ244T	RES , CARBON	240K OHM 1/5W	
R329	CRD25TJ131T	RES , CARBON	130 OHM 1/4W	
R330	CRD20TJ332T	RES , CARBON	3.3K OHM 1/5W J	
R331	CRD25TJ131T	RES , CARBON	130 OHM 1/4W	
R332	CRD20TJ102T	RES , CARBON	1K OHM 1/5W J	
R333	CRD20TJ103T	RES , CARBON	10K OHM 1/5W J	
R334	CRD20TJ103T	RES , CARBON	10K OHM 1/5W J	
R335	CRD20TJ102T	RES , CARBON	1K OHM 1/5W J	
R336	CRD20TJ203T	RES , CARBON	20K OHM 1/5W	
R337	CRD20TJ102T	RES , CARBON	1K OHM 1/5W J	
R338	CRD20TJ102T	RES , CARBON	1K OHM 1/5W J	
R339	CRD20TJ202T	RES , CARBON		
R340	CRD20TJ105T	RES , CARBON	1M OHM 1/5W J	
R341	CRD25TJ103T	RES , CARBON	10K OHM 1/4W	
R342	CRD20TJ102T	RES , CARBON	1K OHM 1/5W J	
R343	CRD20TJ102T	RES , CARBON	1K OHM 1/5W J	
R344	CRD20TJ103T	RES , CARBON	10K OHM 1/5W J	
R345	CRD20TJ102T	RES , CARBON	1K OHM 1/5W J	
R346	CRD20TJ103T	RES , CARBON	10K OHM 1/5W J	
R347	CRD20TJ474T	RES , CARBON	470K OHM 1/5W	
R348	CRD20TJ102T	RES , CARBON	1K OHM 1/5W J	
R349	CRD20TJ102T	RES , CARBON	1K OHM 1/5W J	
R350	CRD20TJ102T	RES , CARBON	1K OHM 1/5W J	
R351	CRD20TJ103T	RES , CARBON	10K OHM 1/5W J	
R352	CRD20TJ103T	RES , CARBON	10K OHM 1/5W J	
R353	CRD20TJ102T	RES , CARBON	1K OHM 1/5W J	
R354	CRD20TJ102T	RES , CARBON	1K OHM 1/5W J	
R355	CRD20TJ182T	RES , CARBON	1.8K OHM 1/5W J	
R356	CRD20TJ102T	RES , CARBON	1K OHM 1/5W J	
R357	CRD20TJ154T	RES , CARBON	150K OHM 1/5W	
R358	CRD20TJ154T	RES , CARBON	150K OHM 1/5W	
R359	CRD20TJ103T	RES , CARBON	10K OHM 1/5W J	
R360	CRD20TJ273T	RES , CARBON	27K OHM 1/5W J	
R361	CRD20TJ221T	RES , CARBON	220 OHM 1/5W J	
R362	CRD20TJ273T	RES , CARBON	27K OHM 1/5W J	
R363	CRD20TJ221T	RES , CARBON	220 OHM 1/5W J	
R364	CRD20TJ301T	RES , CARBON	300 OHM 1/5W J	
R365	CRD20TJ301T	RES , CARBON	300 OHM 1/5W J	
R366	CRD20TJ102T	RES , CARBON	1K OHM 1/5W J	
R367	CRD20TJ102T	RES , CARBON	1K OHM 1/5W J	
R368	CRD20TJ102T	RES , CARBON	1K OHM 1/5W J	
R369	CRD20TJ102T	RES , CARBON	1K OHM 1/5W J	
R370	CRD20TJ102T	RES , CARBON	1K OHM 1/5W J	
R371	CRD20TJ122T	RES , CARBON	1.2K OHM 1/5W J	
R372	CRD20TJ102T	RES , CARBON	1K OHM 1/5W J	
R373	CRD20TJ102T	RES , CARBON	1K OHM 1/5W J	
R374	CRD20TJ105T	RES , CARBON	1M OHM 1/5W J	
R375	CRD20TJ680T	RES , CARBON	68 OHM 1/5W J	
R376	CRD20TJ473T	RES , CARBON	47K OHM 1/5W J	
R377	CRD20TJ101T	RES , CARBON	100 OHM 1/5W J	
R378	CRD20TJ102T	RES , CARBON	1K OHM 1/5W J	
R383	CRD20TJ102T	RES , CARBON	1K OHM 1/5W J	
R384	CRD20TJ101T	RES , CARBON	100 OHM 1/5W J	
R385	CRD20TJ103T	RES , CARBON	10K OHM 1/5W J	

SEQ.	PART NO.	DESCRIPTION	SPECIFICATION	REMARKS
R386	CRD20TJ103T	RES , CARBON	10K OHM 1/5W J	
R387	CRD20TJ272T	RES , CARBON	2.7K OHM 1/5W J	
R388	CRD20TJ272T	RES , CARBON	2.7K OHM 1/5W J	
R389	CRD25TJ102T	RES , CARBON	1K OHM 1/4W	
R390	CRD20TJ103T	RES , CARBON	10K OHM 1/5W J	
R501	CRD20TJ471T	RES , CARBON	470 OHM 1/5W J	
R502	CRD20TJ333T	RES , CARBON	33K OHM 1/5W J	
R503	CRD20TJ153T	RES , CARBON	15K OHM 1/5W J	
R505	CRD20TJ102T	RES , CARBON	1K OHM 1/5W J	
R507	CRD20TJ102T	RES , CARBON	1K OHM 1/5W J	
R510	CRD20TJ221T	RES , CARBON	220 OHM 1/5W J	
R522	CRD20TJ122T	RES , CARBON	1.2K OHM 1/5W J	
R523	CRD20TJ821T	RES , CARBON	820 OHM 1/5W J	
R525	CRD20TJ271T	RES , CARBON	270 OHM 1/5W J	
R526	CRD20TJ103T	RES , CARBON	10K OHM 1/5W J	
R527	CRD20TJ750T	RES , CARBON	75 OHM 1/5W J	
R531	CRD25TJ101T	RES , CARBON	100 OHM 1/4W	
R532	CRD20TJ101T	RES , CARBON	100 OHM 1/5W J	
R533	CRD20TJ101T	RES , CARBON	100 OHM 1/5W J	
R534	CRD20TJ101T	RES , CARBON	100 OHM 1/5W J	
R805	CRD25TJ103T	RES , CARBON	10K OHM 1/4W	
R806	CRD25TJ562T	RES , CARBON	5.6K OHM 1/4W J	
R807	CRD25TJ222T	RES , CARBON		
R808	CRD20TJ222T	RES , CARBON	2.2K OHM 1/5W J	
R814	CRD25TJ471T	RES , CARBON	470 OHM 1/4W	
R815	CRD20TJ103T	RES , CARBON	10K OHM 1/5W J	
R816	CRD20TJ751T	RES , CARBON	750 OHM 1/5W J	
R820	CRD25TJ471T	RES , CARBON	470 OHM 1/4W	
R910	CRD20TJ333T	RES , CARBON	33K OHM 1/5W J	
R911	CRD20TJ272T	RES , CARBON	2.7K OHM 1/5W J	
R912	KRGS2F3902T	RES , METAL FILM	39K (F) 1/5W	
R913	CRD20TJ272T	RES , CARBON	2.7K OHM 1/5W J	
R914	CRD20TJ333T	RES , CARBON	33K OHM 1/5W J	
R915	CRD20TJ680T	RES , CARBON	68 OHM 1/5W J	
R916	CRD20TJ680T	RES , CARBON	68 OHM 1/5W J	
R917	CRD20TJ473T	RES , CARBON	47K OHM 1/5W J	
R918	CRD20TJ101T	RES , CARBON	100 OHM 1/5W J	
R919	CRD20TJ101T	RES , CARBON	100 OHM 1/5W J	
R920	CRD20TJ103T	RES , CARBON	10K OHM 1/5W J	
R921	CRD20TJ183T	RES , CARBON	18K OHM 1/5W J	
R922	CRD20TJ470T	RES , CARBON	47 OHM 1/5W J	
R923	CRD20TJ242T	RES , CARBON	2.4K OHM 1/5W J	
R924	CRD20TJ242T	RES , CARBON	2.4K OHM 1/5W J	
R925	CRD20TJ242T	RES , CARBON	2.4K OHM 1/5W J	
VR31	HVN1RA104B01T	RES, SEMI FIXED(100K OHM)	RH0638C-104	
XT31	HOX16000E160T	OSC , CRYSTAL	16MHZ	
XT33	HOX17734E160T	OSCILLATER CRYSTAL,CERAMI	1.7734MHZ PAL	
	CMC1A238	PLATE , SHIELD	QRW-6500	
	HJD7D2P06YKA	ASS'Y T-6 DECK 6HD , PAL	PVDKARPCB60C	
CN53	HDVW250	CONNECTOR 8P		
DA01	HRPI-303N	REEL SENSOR		
DA02	HRPI-303N	REEL SENSOR		
DA07	HMXS00921MPC0	REC SWITCH		
MS01	HMMS00400ZMB0	MODE SWITCH		

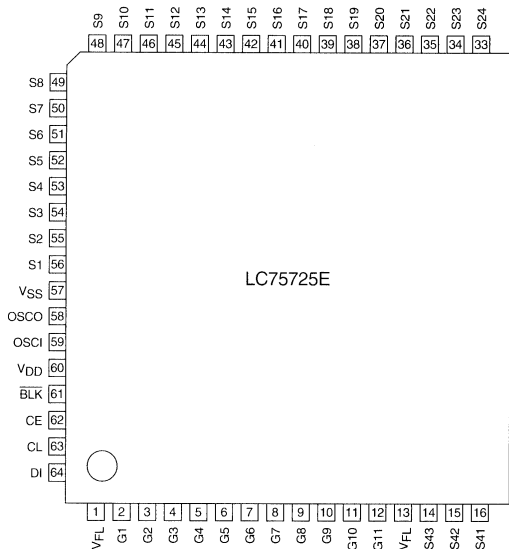
SEQ.	PART NO.	DESCRIPTION	SPECIFICATION	REMARKS
BN30	CWB1A002050BM	WIRE 2 PIN (VCR)	QRW-6500 VCR	
BN33	KJP13GB99ZM	CONNECTOR	MOLEX35237-1310	
BN34	KJP13GB99ZM	CONNECTOR	MOLEX35237-1310	
BN35	KJP13GA98ZM	WAFER	MOLEX35336-1310	
BN36	KJP13GA98ZM	WAFER	MOLEX35336-1310	
BN94	CWB1D908300NE	WIRE 8 PIN (VCR)	QRW-6500 VCR	
BT31	HGP15BNH3A3H	BATTERY , RECHARGEABLE	GP15BNH3A3H	
CN21	KJP23GA117ZG	WAFER , CARD CABLE	GF102-23S-TS	
CN31	KJP02GA01ZM	WAFER	MOLEX 5267-02A	
CN33	BTMC-J12P-A2	CONNECTOR 12P		
CN41	KJP10GA115ZG	WAFER , CARD CABLE	GF120-10S-TS	
C812	CCEA2AH470E	CAP , ELECT	47UF 100V	
C829	HCEA1EH471E	CAP , ELECT	470UF 25V	
DA08	BTMC-E02X-B1	CONNECTOR		
IC01	BVIMSP3417GQGB8	IC MPX (A2 , NICAM) QFP DE	MSP3417G-QG-B8	
IC11	BVISDA5650XSO20	I.C , VPS/PDC (SMD)	SDA5650X-SOIC20	
IC31	HVIM37760EFHGP	IC , MI-COM (OTP)	M37760EFHGP	
IC35	HVI24WC08P	IC-8PIN AT24C08	24WC08P	
IC41	HVILA71730EM	I.C , Y/C		
IC92	BVITDA9605H	IC , HI-FI		
R524	KRD50FJ152T	RES , CARBON	1.5K OHM 1/2W J	
SW52	KST1A010Z	SW , TACT		
TU51	HPTMI-5MH02A	NEW TUNER , PAL (PARTSNIC)	PTMI-5MH02A	
XT01	HOX18432A120C	OSCILLATER CRYSTAL,CERAMI	18.432MHZ	
XT32	BOX00032A120C	CRYSTAL CN	32,768KHZ DT-38	
XT41	HOX03579DSERT	OSC , CRYSTAL	3.579MHZ	
XT42	HOX04433DSERT	OSCILLATER CRYSTAL,CERAMI	4.43MHZ,PAL	

IC INTERNAL DIAGRAMS

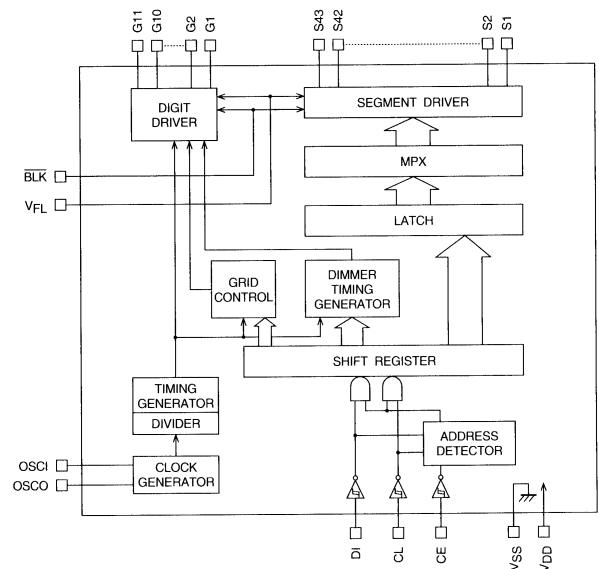
I.C PIN DESCRIPTIONS (FIP DRIVER : LC75725E) : IC52

PIN No	PIN Name	I/O	Function
1,13	VFL	-	Driver block power supply connection.(Both pins must be conneted)
60	VDD	-	Logic block power supply connection. Provide a voltage between 4.5 and5.5V
57	VSS	-	Power supply connection. Connect to the ground
59	OSCI	I	Osillator connection. An oscillator circuit is formed by connecting an external resistor and capacitor to these pins
58	OSCO	O	
61	BLK	I	Display off control input BLK = Low(VSS)···Display off. (S1 to S43 and G1 to G11 at V F L level) BLK = High(VDD)···Display on. Note that serial data can be transferred while the display is turned off
63	CL	I	Serial data transfer inputs. These pins must be connected to the system microcontroller CL : Synchronization clock DI : Transfer data CE : Chip enable
64	DI		
62	CE		
2 to 12	G1 to G11	O	digit outputs. These pins are P-channel open drain outputs with pull-down resistors
56 to 34	S1 to S23	O	segment outputs for displaying the display data transferred by serial data input. These pins are P-channel open drain outputs with pull-down resistors.

PIN ASSIGNMENTS(TOP VIEW)



BLOCK DIAGRAM

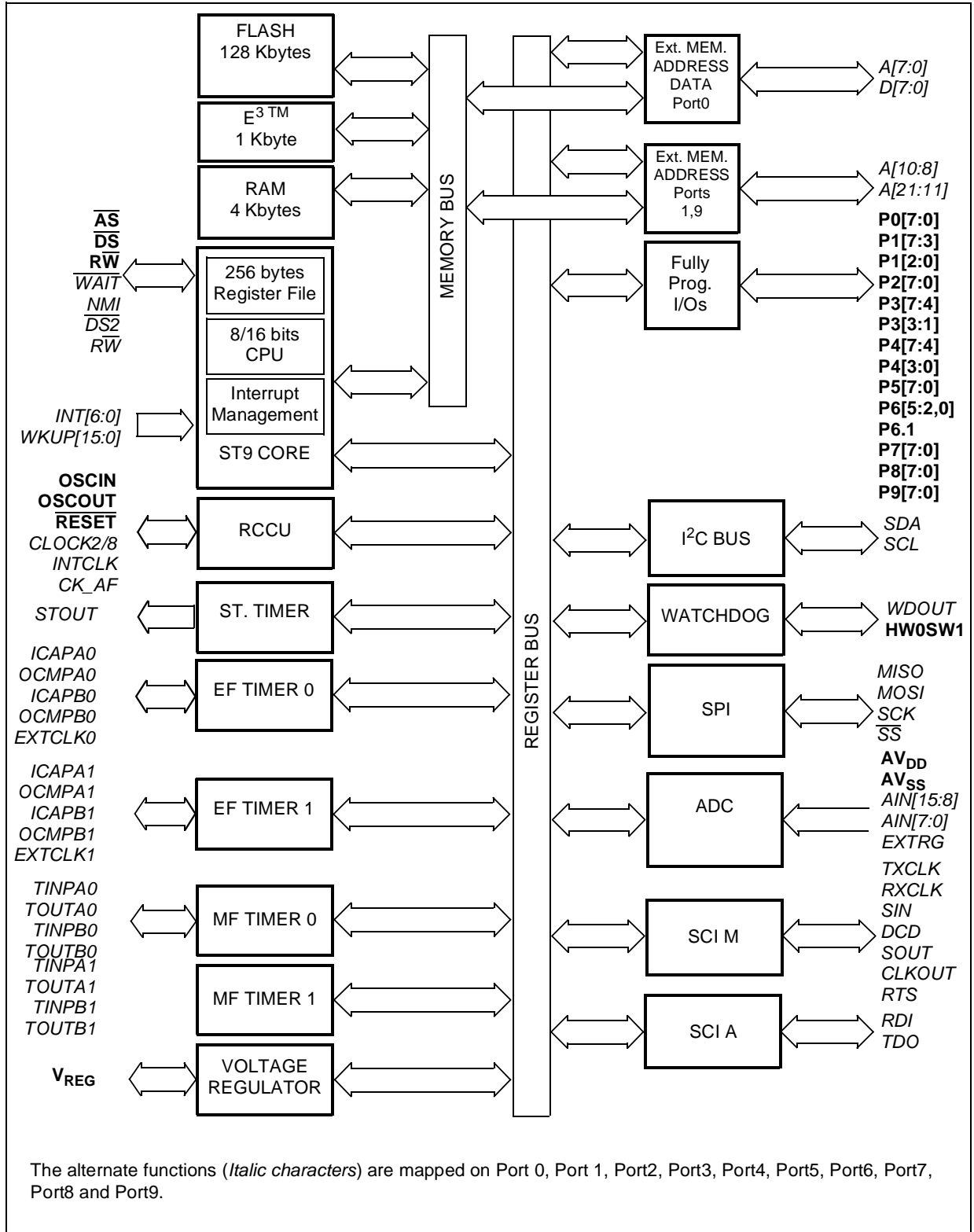


I.C PIN DESCRIPTIONS (FLASH U-COM : ST92F124V1) : IC14

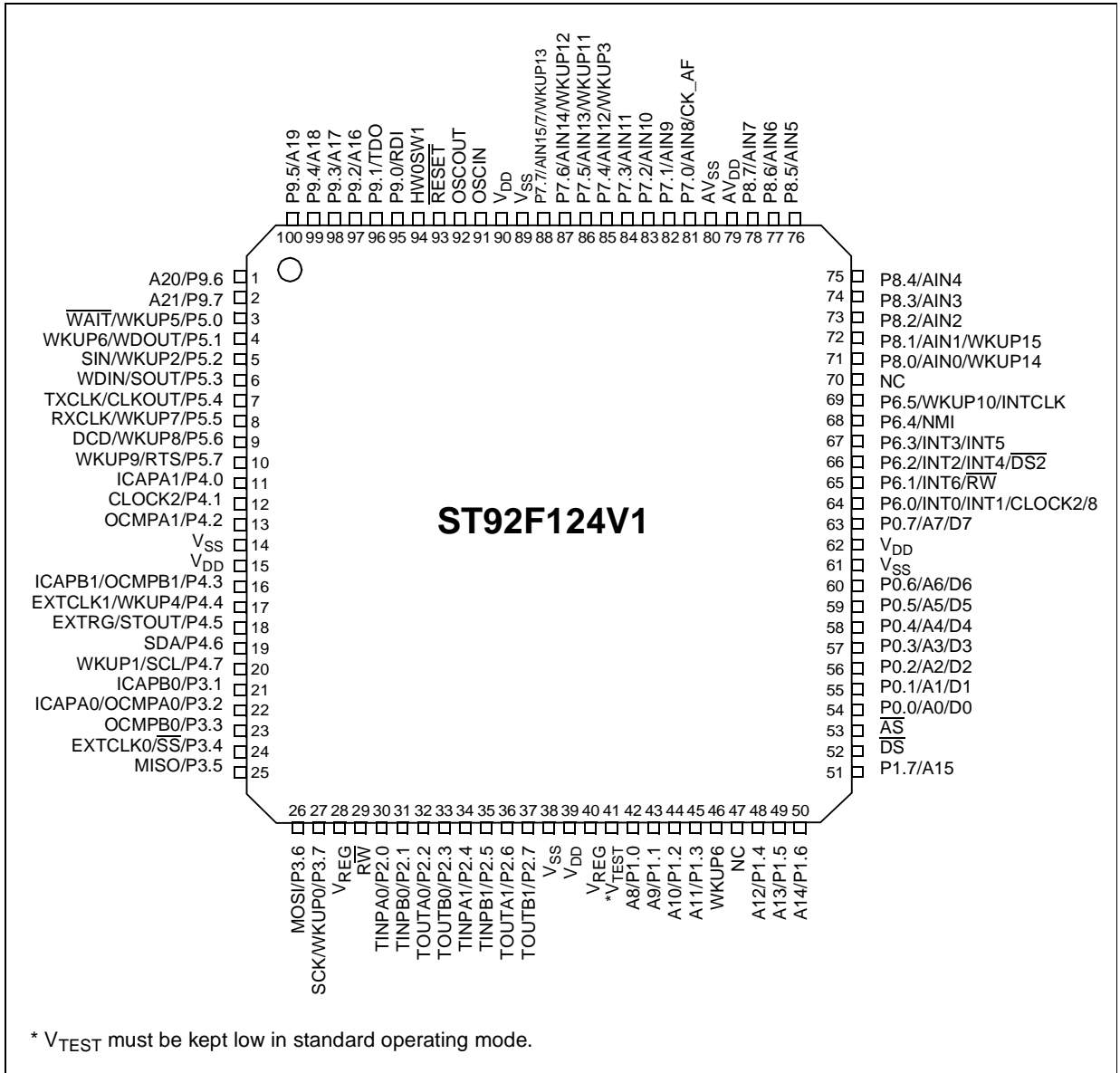
PIN No	PIN Name	I/O	Function
1	NC		No Connection
2	PWR_ON	O	Relay ON/OFF Control Port
3	NC		No Connection
4	VCR_ON	O	VCR ON/OFF Control Port
5	UPDATE_CLK	I	Host Update Port
6	UPDATE_DATA IN1	I	
7	UPDATE_DATA IN2	I	
8	UPDATE_DATA IN3	I	
9	NC		No Connection
10	NC		No Connection
11	NC		No Connection
12	TC9164 STB_OUT	O	Func. Ic(TC9164) Control Port
13	FUN_MUTE	O	Function Mute Port
14	VSS		GND Port
15	VDD		Power Supply Port
16	NC		Subwoofer Mute Control Port
17	AUX2_MUTE	O	AUX2 Mute Control Port
18	RESET OUT	O	Reset Control Output Port
19	VCR_SDA	I/O	VCR Interface Port
20	VCR_SCL	I/O	
21	VCR-TIME_SEL	I/O	
22	VCR-KEY_OUT	I/O	
23	DVD_FREQ_OUT	O	DVD Interface
24	VSS		GND Port
25	DVD_DATA_OUT	O	DVD Interface
26	DVD_DATA_IN	I	
27	DVD_CLK_IN	I	
28	NC		No Connection
29	NC		No Connection
30	NC		No Connection
31	NC		No Connection
32	NC		No Connection
33	NC		No Connection
34	NC		No Connection
35	NC		No Connection
36	PLL_CLK_OUT	O	PLL Clock Output Port
37	DATA_OUT	O	9164 Data Output Port
38	VSS		GND Port
39	VDD		Power Supply Port
40	VREG		Voltage Regulate Port
41	VTEST		Voltage Test Port
42	PSCAN-SW_IN	O	Digital Interface (u-COM<-->NJU3715)
43	RGB-SW_IN	O	
44	SW17	O	
45	SW16	O	
46	NC		No Connection
47	NC		No Connection
48	SW15	O	Digital Interface (u-COM<-->NJU3715)
49	SW14	O	
50	SW13	O	
51	SW12	O	
52	NC		No Connection
53	NC		No Connection

54	SW11	O	Digital Interface (u-COM<-->NJU3715)
55	SW7	O	
56	SW6	O	
57	SW5	O	
58	SW4	O	
59	SW3	O	
60	SW2	O	
61	VSS		GND Port
62	VDD		Power Supply Port
63	SW1	O	Digital Interface (u-COM<-->NJU3715)
64	REM_IN	I	REMOTE Input Port
65	CE-ENABLE_IN	I	Chip ENABLE Input Port
66	NC		No Connection
67	DVD-MREQ_IN	I	DVD Interface Port
68	NC		No Connection
69	NC		
70	NC		
71	KEY2_IN	I	Front Panel Key Control Port
72	KEY1_IN	I	
73	VFO-CE	O	FIP DISPLAY Control Port
74	VFD-DATA	O	
75	VFD-CLK	O	
76	VFD-BLK	O	
77	STBY-LED_ON	O	STBY-LED_ON Control Port
78	DVD_ON	O	DVD on/off Control Port
79	AVDD		Analog Power Supply Port
80	GND		GND Port
81	KEY3_IN	I	Front Panel Key Control Port
82	ADC_DEMP	O	ADC_Demphasis Control Port
83	ADC_MUTE	O	ADC_MUTE Control Port
84	SC2_MUTE	O	SC2_MUTE Control Port
85	NC		No Connection
86	NC		
87	NC		
88	NC		
89	VSS		GND Port
90	VDD		Power Supply Port
91	OSCIN	I	OSC Connection Port
92	OSCOU	O	
93	RESET	I	U-Com Reset Port
94	HWOSW1		Option SW
95	NC		No Connection
96	NC		
97	NC		
98	NC		
99	NC		
100	FL_ON	O	VFD on/off Control Port

BLOCK DIAGRAM



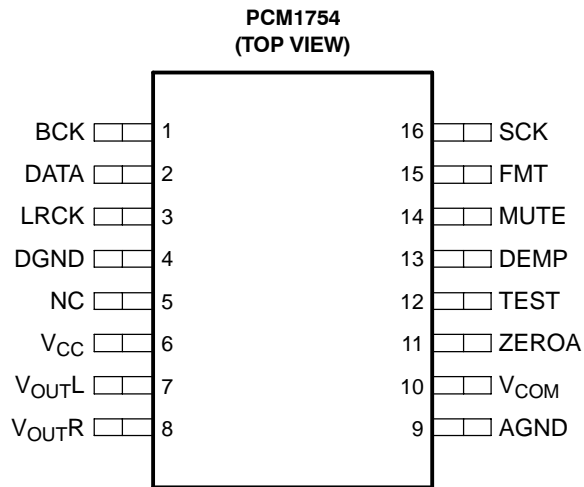
PIN ASSIGNMENTS



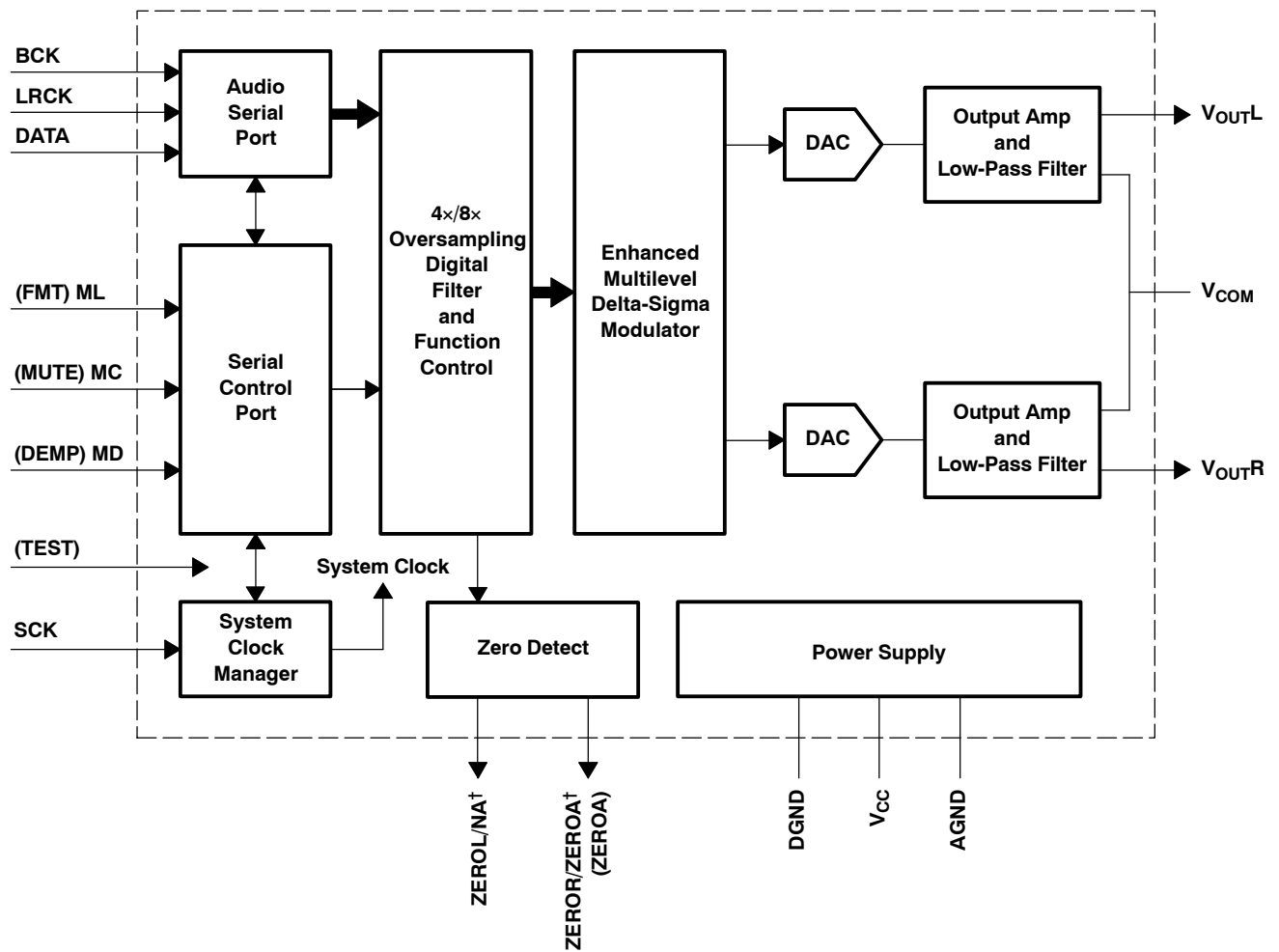
I.C PIN DESCRIPTIONS (D/A CONVERTER : PCM1754) : IC29

PIN No	PIN Name	I/O	Function
1	BCK	I	Audio-data bit-clock input
2	DATA	I	Audio-data digital input
3	LRCK	I	L-channel and R-channel audio data latch enable input
4	DGND		Digital ground
5	NC		No Connection
6	VCC		Analog power supply 5V
7	VOUTL	O	Analog output for L-channel
8	VOUTR	O	Analog output for R-channel
9	AGND		Analog ground
10	VCOM		Common voltage decoupling
11	ZEROA	O	Zero flag output for L/R channels
12	TEST	I	Test pin. Ground or open(1)
13	DEMP	I	De-emphasis control
14	MUTE	I	Analog mixing control
15	FMT	I	Data format select
16	SCK	I	System clock input

PIN ASSIGNMENTS



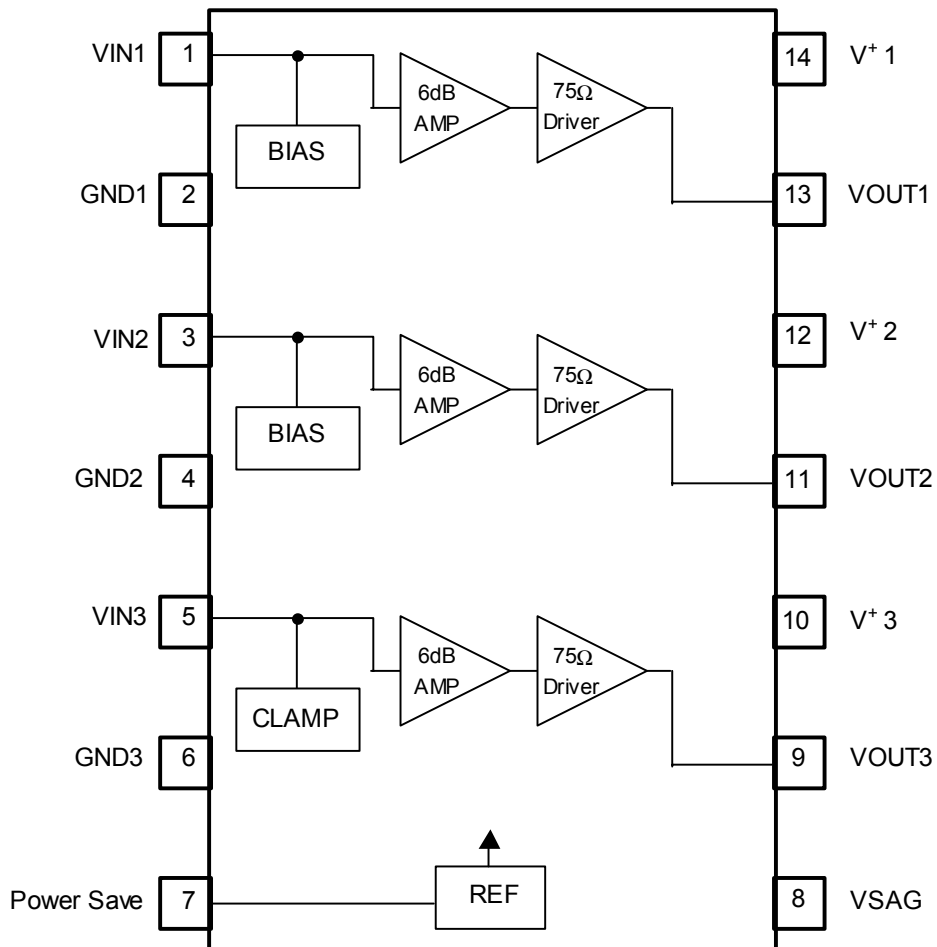
BLOCK DIAGRAM



I.C PIN DESCRIPTIONS (3CH VIDEO AMPLIFIER : NJM2580) : IC34, 35

PIN No	PIN Name	I/O	Function
1	VIN1	I	VIN
2	GND1		GND
3	VIN2	I	VIN
4	GND2		GND
5	VIN3	I	VIN
6	GND3		GND
7	Power Save		H : Power Save → OFF L : Power Save → ON OPEN : Power Save → ON
8	VSAG		
9	VOUT3	O	VOUT
10	V+3		Supply Voltage +5
11	VOUT2	O	VOUT
12	V+2		Supply Voltage +5
13	VOUT1	O	VOUT
14	V+1		Supply Voltage +5

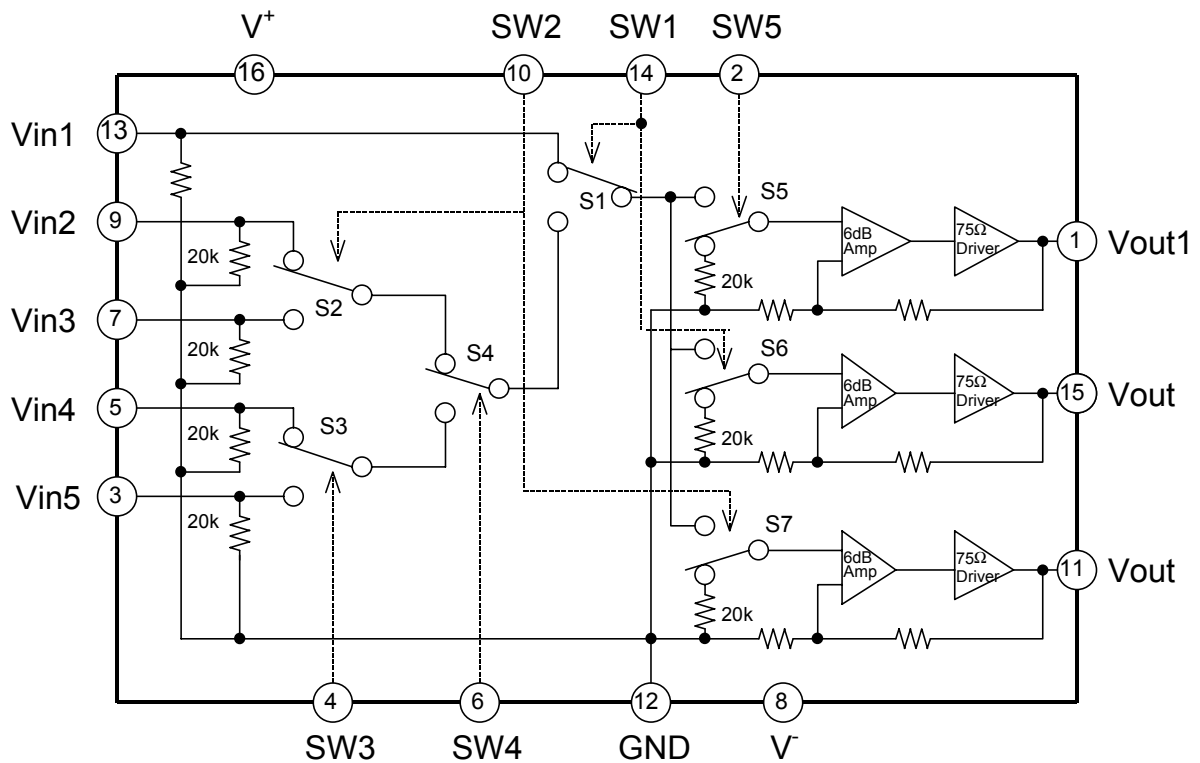
■ BLOCK DIAGRAM



I.C PIN DESCRIPTIONS (VIDEO SW : NJM2296) : IC79, 80

PIN No	PIN Name	I/O	Function
1	VOUT 1	O	OUTPUT VIDEO SIGNAL
2	SW 5		SWITCH FOR SELECT SIGNAL
3	VIN 5	I	INPUT VIDEO SIGNAL
4	SW 3		SWITCH FOR SELECT SIGNAL
5	VIN 4	I	INPUT VIDEO SIGNAL
6	SW 4		SWITCH FOR SELECT SIGNAL
7	VIN 3	I	INPUT VIDEO SIGNAL
8	V-		NEGATIVE SUPPLY VOLTAGE
9	VIN 2	I	INPUT VIDEO SIGNAL
10	SW 2		SWITCH FOR SELECT SIGNAL
11	VOUT 3	O	OUTPUT VIDEO SIGNAL
12	GND		GND
13	VIN 1	I	INPUT VIDEO SIGNAL
14	SW 1		SWITCH FOR SELECT SIGNAL
15	VOUT 2	O	OUTPUT VIDEO SIGNAL
16	V+		POSITIVE SUPPLY VOLTAGE

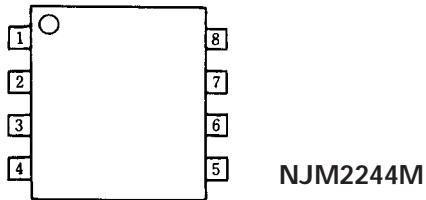
■ BLOCK DIAGRAM



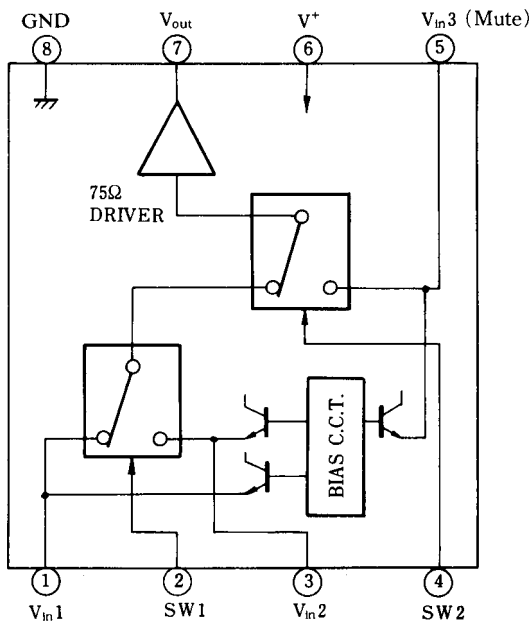
I.C PIN DESCRIPTIONS (VIDEO SW : NJM2244) : IC81, 82

PIN No	PIN Name	I/O	Function
1	VIN1	I	INPUT VIDEO SIGNAL
2	SW1		SWITCH FOR SELECT SIGNAL
3	VIN2	I	INPUT VIDEO SIGNAL
4	SW2		SWITCH FOR SELECT SIGNAL
5	VIN3	I	INPUT VIDEO SIGNAL
6	V+		Supply voltage
7	VOU1	O	OUTPUT VIDEO SIGNAL
8	GND		Ground

■ PIN ASSIGNMENTS



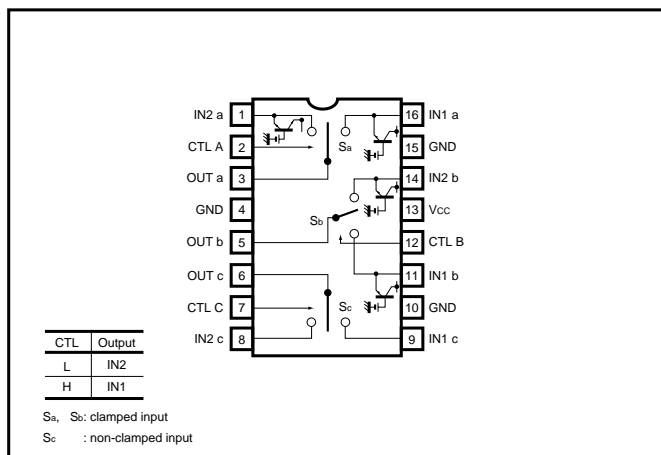
■ BLOCK DIAGRAM



I.C PIN DESCRIPTIONS (S-VIDEO COMPOSITE SW : BA7607F) : IC27

PIN No	PIN Name	I/O	Function
1	IN2 a	I	INPUT VIDEO SIGNAL
2	CTL A		SWITCH FOR SELECT SIGNAL
3	OUT a	O	OUTPUT VIDEO SIGNAL
4	GND		Ground Port
5	OUT b	O	OUTPUT VIDEO SIGNAL
6	OUT c	O	OUTPUT VIDEO SIGNAL
7	CTL C		SWITCH FOR SELECT SIGNAL
8	IN2 c	I	INPUT VIDEO SIGNAL
9	IN1 c	I	INPUT VIDEO SIGNAL
10	GND		Ground Port
11	IN1 b	I	INPUT VIDEO SIGNAL
12	CTL B		SWITCH FOR SELECT SIGNAL
13	VCC		Supply Voltage
14	IN2 b	I	INPUT VIDEO SIGNAL
15	GND		Ground Port
16	IN1 a	O	INPUT VIDEO SIGNAL

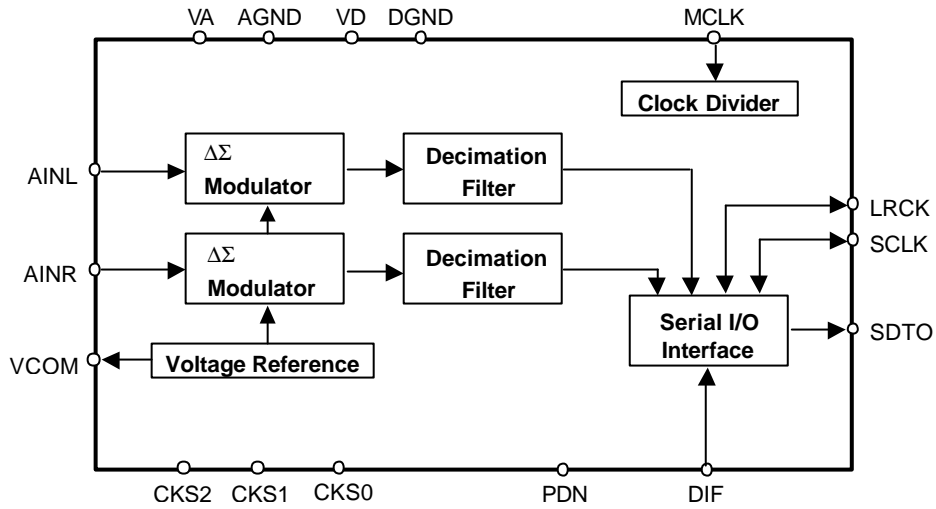
■ BLOCK DIAGRAM



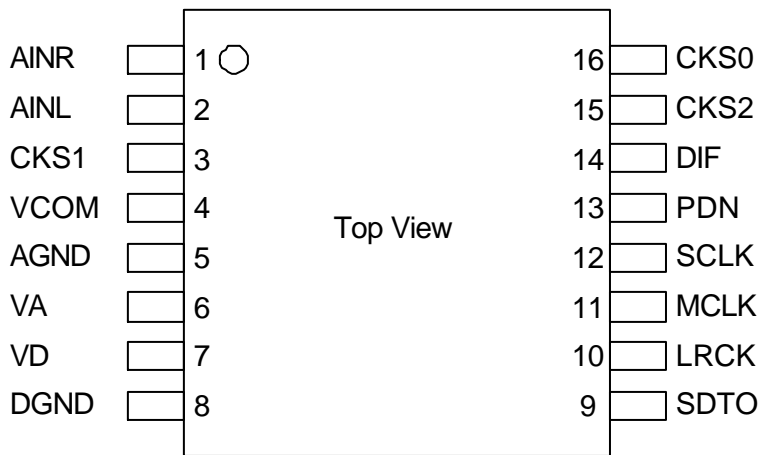
I.C PIN DESCRIPTIONS (A/D CONVERTER : AK5381VT) : IC24

PIN No	PIN Name	I/O	Function
1	AINR	I	Rch Analog Input Pin
2	AINL	I	Lch Analog Input Pin
3	CKS1	I	Mode Select 1 Pin
4	VCOM	O	Common Voltage Output Pin, VA/2
5	AGND		Analog Ground Pin
6	VA		Analog Power Supply Pin, 4.5 ~ 5.5V
7	VD		Digital Power Supply Pin, 2.7 ~ 5.5V(fs=4k ~ 48kHz), 3.0 ~ 5.5V(fs=48k ~ 96kHz)
8	DGND		Digital Ground Pin
9	SDTO	O	Audio Serial Data Output Pin "L" Output in Master Mode at Power-down mode.
10	LRCK	I/O	Output Channal Clock Pin "L" Output in Master Mode at Power-down mode.
11	MCLK	I	Master Clock Input Pin
12	SCLK	I/O	Audio Serial Data Clock Pin "L" Output in Master Mode at Power-down mode
13	PDN	I	Power Down Mode Pin "H": Power up, "L"; Power down
14	DIF	I	Audio Interface Format Pin "H":24bit I2s Compatible. "L" : 24bit MSB justified
15	CKS2	I	Mode Select 2 Pin
16	CKS0	I	Mode Select 0 Pin

■ BLOCK DIAGRAM



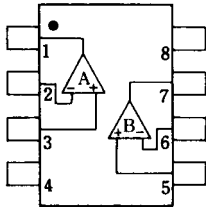
■ PIN ASSIGNMENTS



I.C PIN DESCRIPTIONS (AMPLIFIER : NJM2068M) : IC31,53,62,63,64,66,67,70,71,73,75,96,97)

PIN No	PIN Name	I/O	Function
1	A OUTPUT	O	A OUTPUT
2	A -INPUT	I	A -INPUT
3	A +INPUT	I	A +INPUT
4	V-		V-
5	B +INPUT	I	B +INPUT
6	B -INPUT	I	B -INPUT
7	B OUTPUT	O	B OUTPUT
8	V+		V+

■ PIN ASSIGNMENTS

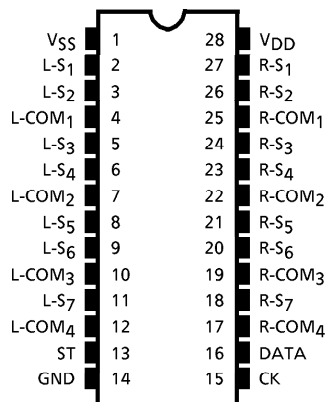


NJM2068M

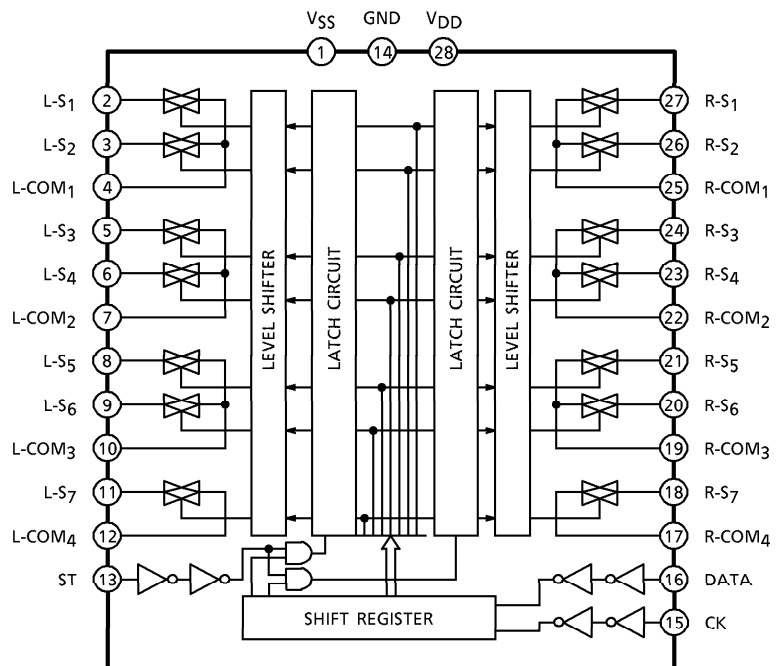
I.C PIN DESCRIPTIONS (SWITCH : TC9162AF) : IC74

PIN No	PIN Name	I/O	Function
1	VSS		- Power Terminal
2	L-S1	I	Switch Input Terminal
3	L-S2	I	Switch Input Terminal
4	L-COM1	O	Switch Output Terminal
5	L-S3	I	Switch Input Terminal
6	L-S4	I	Switch Input Terminal
7	L-COM2	O	Switch Output Terminal
8	L-S5	I	Switch Input Terminal
9	L-S6	I	Switch Input Terminal
10	L-COM3	O	Switch Output Terminal
11	L-S7	I	Switch Input Terminal
12	L-COM4		Switch Output Terminal
13	ST		Strobe Input Terminal
14	GND		Ground Terminal
15	CK		Clock Input Terminal
16	DATA		Data Input Terminal
17	R-COM4		Switch Output Terminal
18	R-S7	I	Switch Input Terminal
19	R-COM3	O	Switch Output Terminal
20	R-S6	I	Switch Input Terminal
21	R-S5	I	Switch Input Terminal
22	R-COM2	O	Switch Output Terminal
23	R-S4	I	Switch Input Terminal
24	R-S3	I	Switch Input Terminal
25	R-COM1	O	Switch Output Terminal
26	R-S2	I	Switch Input Terminal
27	R-S1	I	Switch Input Terminal
28	VDD		+ Power Terminal

■ PIN ASSIGNMENTS



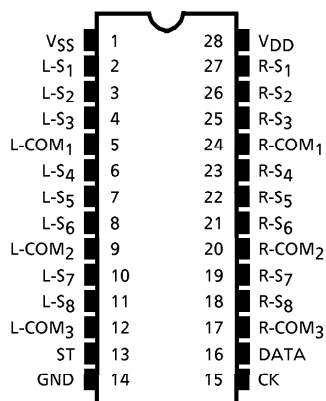
■ BLOCK DIAGRAM



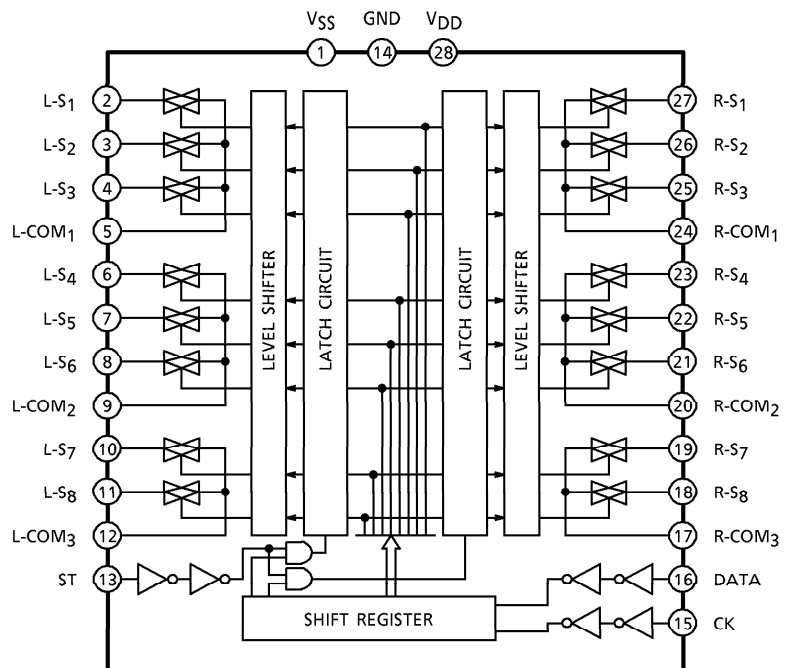
I.C PIN DESCRIPTIONS (SWITCH : TC9163AF) : IC72

PIN No	PIN Name	I/O	Function
1	VSS		- Power Terminal
2	L-S1	I	Switch Input Terminal
3	L-S2	I	Switch Input Terminal
4	L-S3	I	Switch Input Terminal
5	L-COM1	O	Switch Output Terminal
6	L-S4	I	Switch Input Terminal
7	L-S5	I	Switch Input Terminal
8	L-S6	I	Switch Input Terminal
9	L-COM2	O	Switch Output Terminal
10	L-S7	I	Switch Input Terminal
11	L-S8	I	Switch Input Terminal
12	L-COM3	O	Switch Output Terminal
13	ST		Strobe Input Terminal
14	GND		Ground Terminal
15	CK		Clock Input Terminal
16	DATA		Data Input Terminal
17	R-COM3	O	Switch Output Terminal
18	R-S8	I	Switch Input Terminal
19	R-S7	I	Switch Input Terminal
20	R-COM2	O	Switch Output Terminal
21	R-S6	I	Switch Input Terminal
22	R-S5	I	Switch Input Terminal
23	R-S4	I	Switch Input Terminal
24	R-COM1	O	Switch Output Terminal
25	R-S3	I	Switch Input Terminal
26	R-S2	I	Switch Input Terminal
27	R-S1	I	Switch Input Terminal
28	VDD		+ Power Terminal

■ PIN ASSIGNMENTS



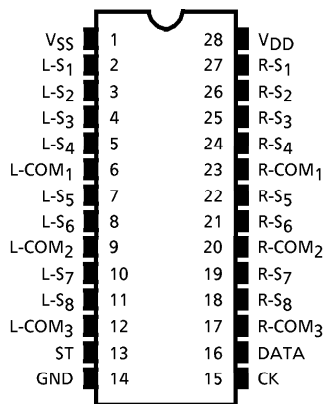
■ BLOCK DIAGRAM



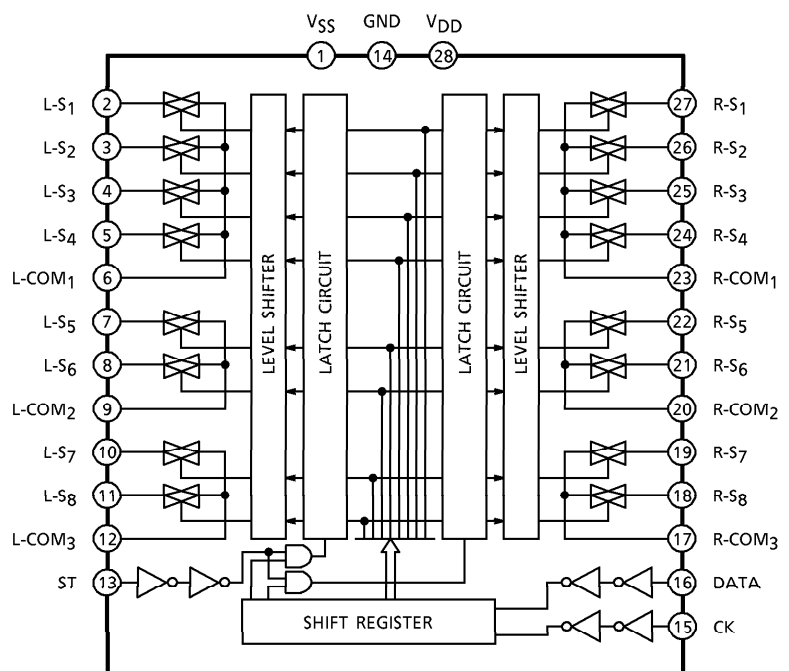
I.C PIN DESCRIPTIONS (SWITCH : TC9164AF) : IC68

PIN No	PIN Name	I/O	Function
1	VSS		- Power Terminal
2	L-S1	I	Switch Input Terminal
3	L-S2	I	Switch Input Terminal
4	L-S3	I	Switch Input Terminal
5	L-S4	I	Switch Input Terminal
6	L-COM1	O	Switch Output Terminal
7	L-S5	I	Switch Input Terminal
8	L-S6	I	Switch Input Terminal
9	L-COM2	O	Switch Output Terminal
10	L-S7	I	Switch Input Terminal
11	L-S8	I	Switch Input Terminal
12	L-COM3	O	Switch Output Terminal
13	ST		Strobe Input Terminal
14	GND		Ground Terminal
15	CK		Clock Input Terminal
16	DATA		Data Input Terminal
17	R-COM3	O	Switch Output Terminal
18	R-S8	I	Switch Input Terminal
19	R-S7	I	Switch Input Terminal
20	R-COM2	O	Switch Output Terminal
21	R-S6	I	Switch Input Terminal
22	R-S5	I	Switch Input Terminal
23	R-COM1	O	Switch Output Terminal
24	R-S4	I	Switch Input Terminal
25	R-S3	I	Switch Input Terminal
26	R-S2	I	Switch Input Terminal
27	R-S1	I	Switch Input Terminal
28	VDD		+ Power Terminal

■ PIN ASSIGNMENTS



■ BLOCK DIAGRAM



IC INTERNAL DIAGRAMS (VCR PART)

MICOM (M37762MCA-xxxGP : IC31)

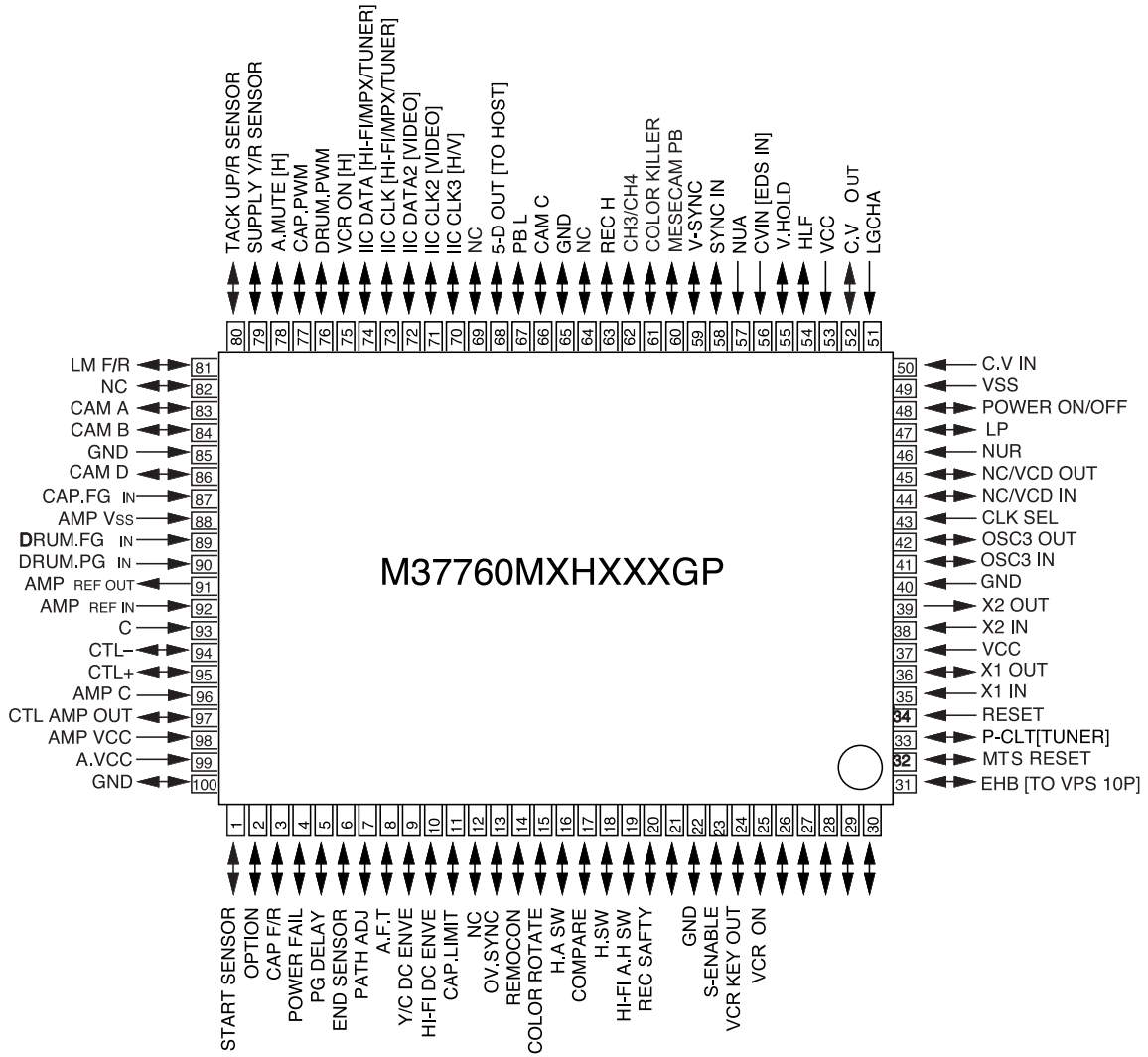
■ PIN DESCRIPTIONS

PIN No.	Port	I/O	Pin Name	DESCRIPTION	ACTIVE
1	P11/AN8	IN	ST SENEOR	TAPE START SENSOR DATA INPUT	A/D
2	P77/AN7	IN	OPTION		
3	P76/AN6	OUT	CAP F/R(H)	CAPSTAN MOTOR FWD/RVS H/L	
4	P75/AN5	IN	POWER FAIL	POWER FAIL PORT LOW	
5	P74/AN4	OUT	PG DELAY	PG DELAY ADJUST A/D	
6	P73/AN3	IN	END SENSOR	TAPE END SENSOR DATA INPUT A/D	
7	P72/AN2	IN	PATH ADJ	USE FOR PATH ADJUST A/D	
8	P71/AN1	IN	AFT	AFT INPUT PORT A/D	
9	P70/AN0	IN	V. ENVE	VIDEO DC ENVE DETECT INPUT A/D	
10	P67/AN10	IN	HiFi. ENVE	Hi-Fi DC ENVE DETECT INPUT A/D	
11	P66/RTP11	OUT	CAP. LIMIT	CAPSTAN I.CONTROL IN PB STILL MODE ,LOW OUTPUT(CAPSTAN MOTOR STOP)	LOW
12	P65/RTP10	NC			
13	P64/RTP03	OUT	Q.V SYNC	Q.V SYNC OUTPUT PULSE	
14	P63/RTP02	IN	REMOCON IN	REMOCON DATA INPUT PORT(HOST→VCR)	PULSE
15	P62/EXOR OUT1 (C.ROT)	OUT	C.ROTARY	COLOR ROTARY, 2HD : SW PULSE, 4HD : IN SPECIAL PB MODE, PULSE OUTPUT(Exclusive or output of ENVE COMPARE ANDV. SW PULSE	PULSE
16	P62/EXOR OUT0 (HASW)	OUT	H.A SW	HEAD AMP SWITCHING PULSE, 2HD : 0V, 4HD : IN SPATIAL PB MODE, Pulse output in case of 4HD	PULSE
				PLAY PB.STILL CUE/REV	
				LP HIGH V. SW HIGH	
				SP LOW V. SW ENVE COM	
				IF H.A SWP IS HIGH, EP HEAD SPELECTED	
17	P60/EXOR IN IN (ENVS)		ENVE/COMP	ENVELOPE COMPARE DETECT INPUT AUTO TRACKING DETECTOR	PULSE
18	P57/RTP01	OUT	H.SW PULSE	VIDEO SWITCHING	PULSE
19	P57/RTP00	OUT	Hi-Fi A.H.SW	AUDIO SWITCHING	PULSE
20	P55/RTP25	IN	REC. SAFETY	REC SAFETY SW DATA IN	LOW
21	P54/RTP24		NC		
22	P53/RTP23		GND		
23	P52/RTP22	OUT	S-ENABLE	S-ENABLE DATA PORT(TO HOST)	SERIAL
24	P51/RTP21	OUT	DATA OUT	VCR DATA OUT(POWER DATA TO HOST)	SERIAL
25	P50/RTP20		VCR_ON	HOST-->VCR	
26	P47	OUT	OP1	OP:NT(G:ON),PAL(SH:ON)	
27	P46	OUT	OP2	OP:NT(DOM:ON),PAL(PDC:ON/VPS:OFF)	
28	P45	OUT	OP3	OP:PAL(VPS,PDC:ON/NOR:OFF)	
29	P44	OUT	OP4	OP:PAL(ENG:ON,GER:OFF)	
30	P43		NC		
31	P42	OUT	EHB	TO VPS IC 10P(PAL ONLY)	PULSE
32	P41		MTS_RESET		
33	P40	NC	PWR CTL	VPS/PDC CIRCUIT ALL POWER CONTROL(L) L/H	
34	RESET(L)	IN	RESET	RESET INPUT PORT	LOW
35	P31/XCIN	IN	OSC 1 IN	16MHz OSC IN	-
36	P30/XCOUT	OUT	OSC 1 OUT	16MHz OSC OUT	-

PIN No.	Port	I/O	Pin Name	DESCRIPTION	ACTIVE
37	VCC		VCC	VCC +5V	
38	X IN	IN	OSC 2 IN	32.76816MHz OSC IN	-
39	X OUT	OUT	OSC 2 OUT	32.76816MHz OSC OUT	-
40	GND				
41	P22/OSC IN3	IN	OSC 3 IN	14.318 MHz OSC IN	-
42	P21/OSC OUT3	OUT	OSC 3 OUT	14.318 MHz OSC OUT	-
43	CLKSEL	IN	CLK SEL		
44	P20/OSC	IN		NC	
45	P20/OSC OUT2	OUT		NC	
46	NUR		GND		
47	P16/LP			REFERENCE TO OSD CIRCUIT	
48	P15/FSC IN	OUT	POWER ON/OFF	POWER ON/OFF CONTROL PORT(L)	L/H
49	OSDVSS		OSD GND	GND	
50	P14/CVIN	IN	CVBS IN	SCOMPOSITE VIDEO INPUT PORT	
51	P13/LGCHA		LGCHA		
52	P14/CVOUT	OUT	CVBS OUT	COMPOSITE VIDEO OUTPUT PORT	
53	OSDVCC		OSD VCC	VCC (REG +5V)	
54	P11/HLF			REFERENCE TO OSD CITCUIT	
55	P10/V_HOLD			REFERENCE TO OSD CITCUIT	
56	P07/CVIN	IN	EDS	COMPOSITE VIDEO INPUT PORT(CAPTION)	
57	NUA				
58	P06/H-SYNC	IN	C-SYNC	COLOR SYNCHRONIZING SIGNAL INPUT	
59	P05/V-SYNC	IN	V-SYNC	COLOR SYNCHRONIZING SIGNAL INPUT	
60	P04/OUT1		MESECAM PB		
61	P03/OUT2		COLOR KILLER		
62	P02/B		CH3 / CH4		
63	P01/G	OUT	REC(H)	IN REC MODE, HIGH OUTPUT	HIGH
64	P00/R		NC		
65	P107/SOUT1			GND	
66	P106/SIN1	IN	CAM C	CAM DATA INPUT	
67	P105/SCLK1	OUT	PB(L)	IN PLAYBACK MODE LOW OUTPUT	LOW
68	P104/SOUT	OUT	SERIAL-OUT	SERIAL DATA OUT PORT(VCR°È HOST)	PULSE
69			NC		
70	P102/CLK 0B	OUT	SERIAL CLK	SERIAL CLOCK OUT PORT(HOST°È VCR)	PULSE
71	P101/CLK 0A	OUT	IIC CLOCK2	IIC CLOCK(VIDEO IC)	PULSE
72	P100/SDA	OUT	IIC DATA2	IIC DATA(VIDEO IC)	PULSE
73	P97/T5	OUT	IIC CLOCK1	IIC CLOCK(Hi-Fi/MPX/TUNER)	PULSE
74	P96	OUT	IIC DATA1	IIC DATA(Hi-Fi/MPX/TUNER)	PULSE
75	P95	OUT	TV/VCR(H)	TV/VCR MODE SWITCHING	L/H
76	P94/PWM1	OUT	D.PWM	DRUM CONTROL PWM OUT PULSE	
77	P93/PWM0	OUT	C.PWM	CAPSTAN CONTROL PWM OUT PULSE	
78	P92/INT0	OUT	A.MUTE(H)	VCR SOUND MUTE CONTROL	
79	P91/RLS	IN	S/R SENSOR	SUPPLY REEL PULSE INPUT	A/D
80	P91/RLT	IN	T/R SENSOR	TAKE UP REEL PULSE INPUT	A/D
81	P87	OUT	LM.F/R	LOADING MOTOR FORWARD, REVERSE	L/H

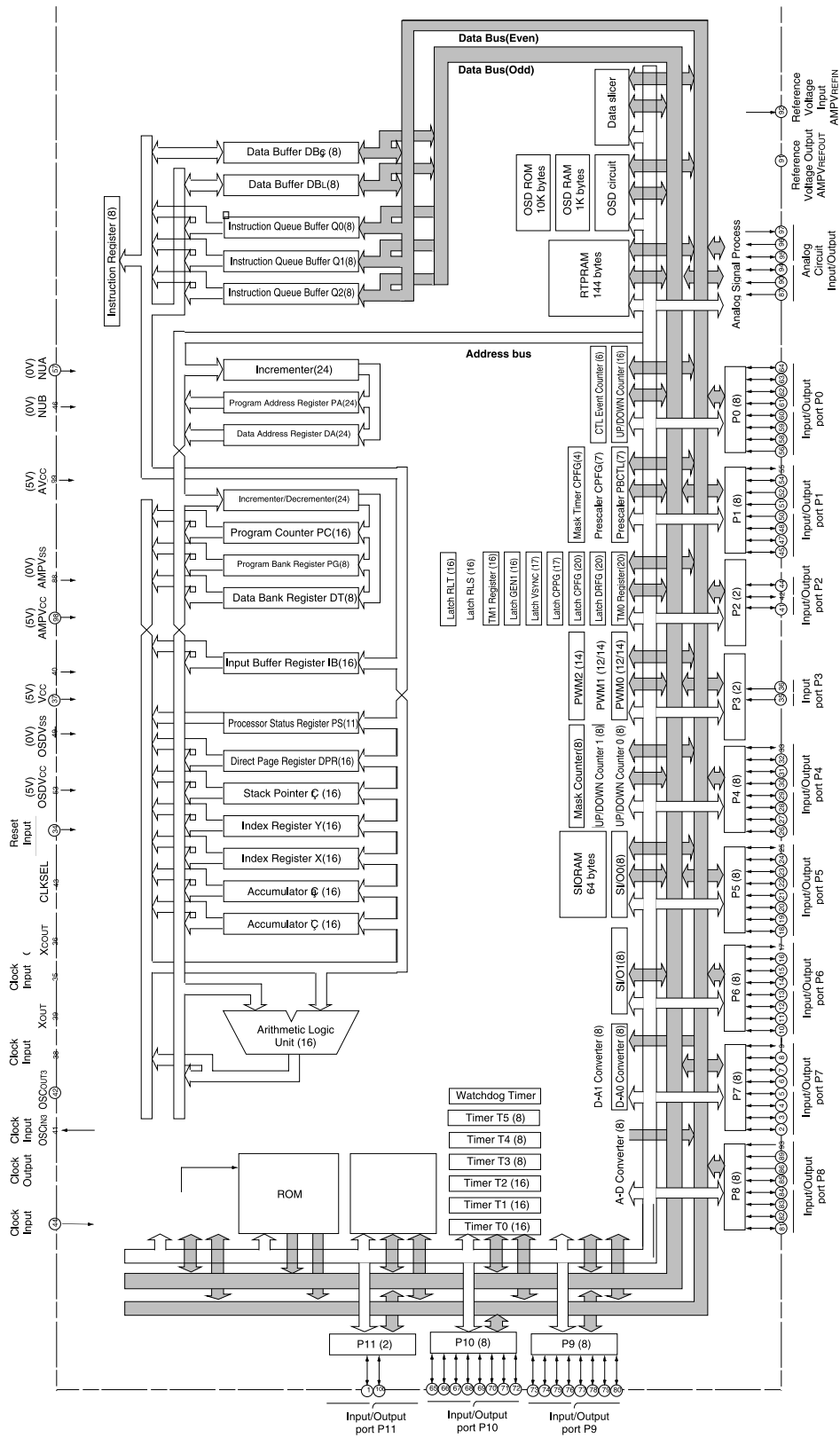
PIN No.	Port	I/O	Pin Name	DESCRIPTION				ACTIVE
82	P86			NC				L/H
83	P85	IN	CAM A	CAM DATA INPUT				LOW
84	P84	IN	CAM B					LOW
85	P106			GND				LOW
85	P82		GND	GND				
86	P82	IN	CAM D	CAM A	CAM B	CAM C	CAM D	H/L
				L	H	H	H	
				L H		L	H	
				H H		L	H	
				H L		L	H	
				H H		H	L	
				H L		H	L	
				H H		H	H	
				H	L	H	H	
87	C.FG	IN	C.FG IN	CAPSTAN FG INPUT				PULSE
88	AMP VSS			AMP VSS				
89	P81	IN	D.FG IN	DRUM FG INPUT				PULSE
90	PDRPGIN	IN	D.PG IN	DRUM PG INPUT				PULSE
91	AMP REF OUT	OUT	AMP REF OUT	AMP REFERENCE OUT				-
92	AMP REF IN	IN	AMP REF IN	AMP REFERENCE IN				-
93	P80	CAP		REFERENCE TO CONTROL CIRCUIT				-
94	CTL-	OUT	CTL(-)	REFERENCE TO CONTROL CIRCUIT				-
95	CTL+	OUT	CTL(+)	REFERENCE TO CONTROL CIRCUIT				-
96	AMPC	OUT	AMP PC	REFERENCE TO CONTROL CIRCUIT				-
97	CTL AMP	OUT	CTL AMP	REFERENCE TO CONTROL CIRCUIT				-
98	AMP VCC			AMP VCC				
99	A. VCC			A. VCC				
100	GND			GND				

PIN ASSIGNMENTS (M37762MCA-xxxGP)



Note: Pin bearing an * incorporates an input pull-up resistor.

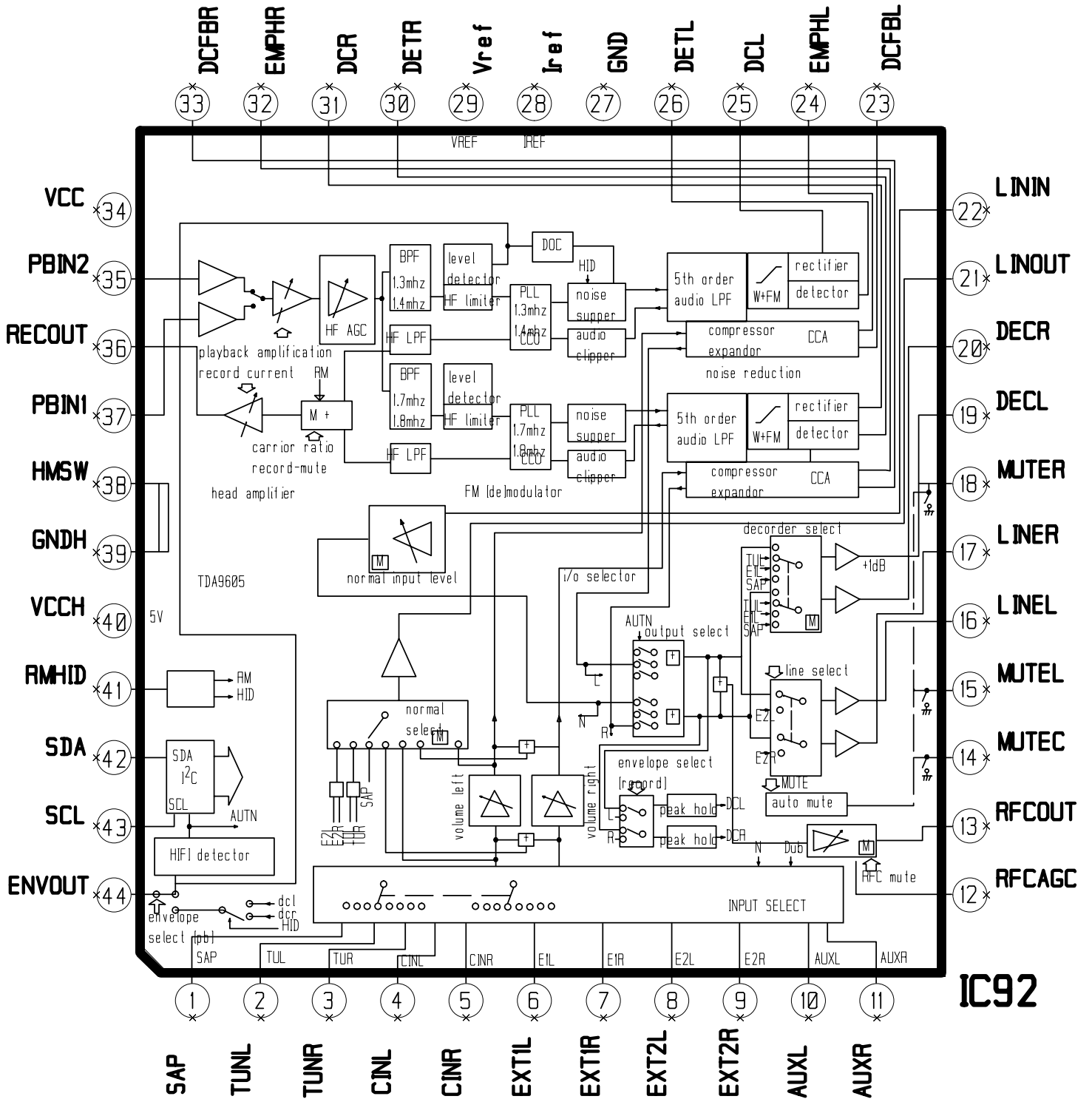
BLOCK DIAGRAM (M37762MCA-xxxGP)



I.C PIN DESCRIPTIONS (HI-FI IC : TDA9605H) : IC92

PIN No	PIN Name	I/O	Function
1	SAP	I	Tunner input mono
2	TUNL	I	Tunner input left
3	TUNR	I	Tunner input right
4	CINL	I	CINCH input left
5	CINR	I	CINCH input right
6	EXT 1L	I	External 1 input left
7	EXT 1R	I	External 1 input right
8	EXT 2L	I	External 2 input left
9	EXT 2R	I	External 2 input right
10	AUXL	I	Auxiliary input left
11	AUXR	I	Auxiliary input right
12	RFCAGC		RF converter AGC timing connection
13	RFCOUT	O	RF converter output
14	MUTEC	O	Mute for RF converter output
15	MUTEL	O	Mute for line output left
16	LINEL	O	Line output left
17	LINER	O	Line output right
18	MUTER	O	Mute for line output right
19	DECL	O	Decoder output left
20	DECR	O	Decoder output right
21	LINOUT	O	Linear audio output
22	LININ	I	Linear audio input
23	DCFBL		DC feedback noise reduction connection left
24	EMPHL		Emphasis noise reduction connection left
25	DCL		DC decoupling noise reduction connection left
26	DETL		Detector noise reduction connection left
27	GND		Ground Port
28	IREF		Reference standard current connection
29	VREF		Reference voltage connection
30	DETR		Detector noise reduction right
31	DCR		DC decoupling noise reduction right
32	EMPHR		Emphasis noise reduction connection right
33	DCFBR		DC feedback noise reduction connection right
34	VCC		Power Supply
35	PBIN2	I	Head 2 playback input
36	RECOUT	O	Recording current output
37	PBIN1	I	Head 1 playback input
38	HMSW		Head amplifier mode switch connection
39	GNDH		Ground of head amplifier
40	VCCH		Power Supply of head amplifier
41	RMHID		Record- mute mode or head identification input
42	SDA	I/O	I2C bus data input/output
43	SCL	I	I2C bus clock input
44	ENVOUT		HF or AF envelope output

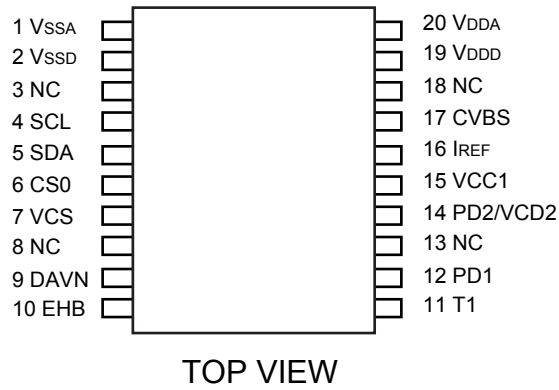
■ BLOCK DIAGRAM



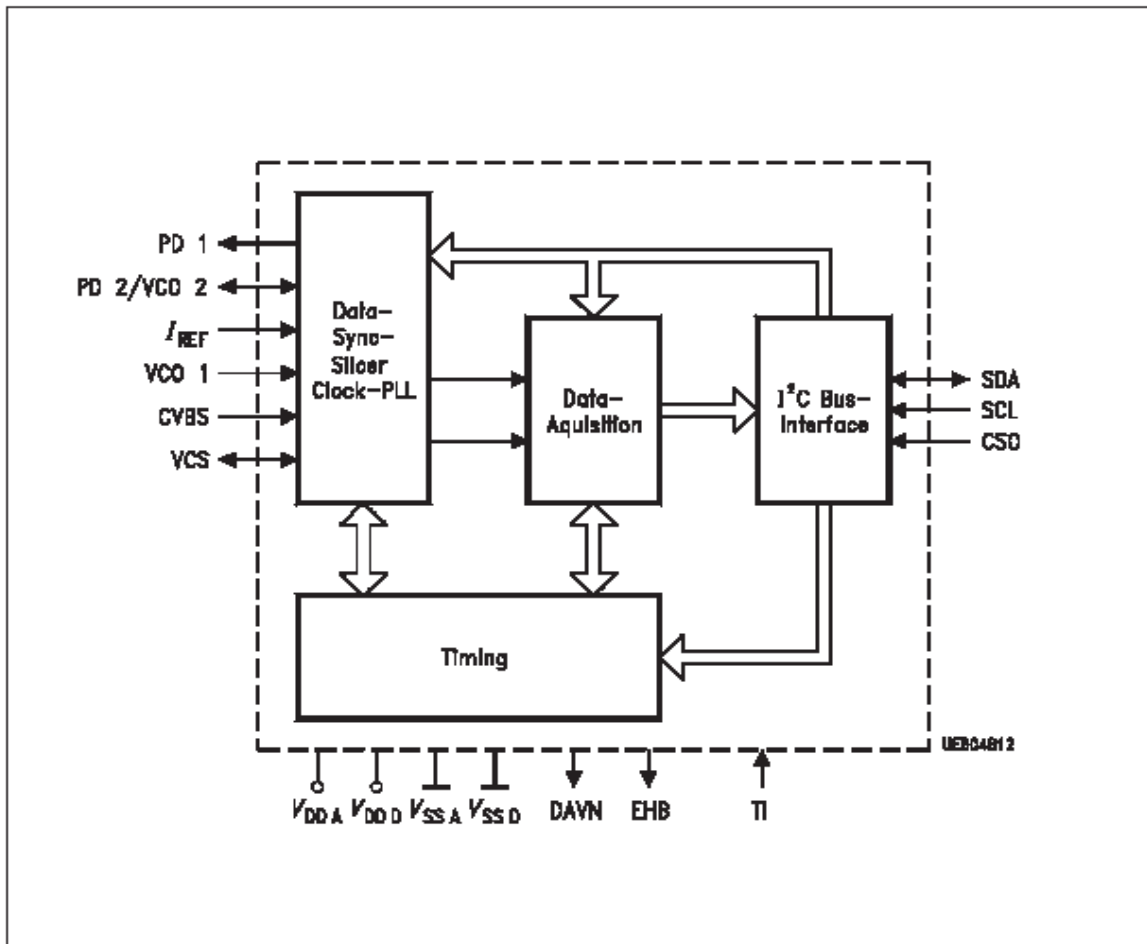
I.C PIN DESCRIPTIONS (VPS/PDC : SDA5650X) : IC11

PIN No	PIN Name	I/O	Function
1	VSSA		Analog ground (0V)
2	VSSD		Digital ground (0V)
3	NC		No Connected
4	SCL	I	Serial clock input of I2C Bus
5	SDA	I	Serial clock input of I2C Bus
6	CSO	I	Chip select input determining the I2C Bus addresses: 20H / 21H, when pulled low 22H / 23H, when pulled high
7	VCS	O	Video Composite Sync output from sync slicer used for PLL based clock generation
8	NC		No Connected
9	DAVN	O	Data available output active low, when VPS data is received
10	EHB	O	Output signaling the presence of the first field active high
11	TI	I	Test input; activates test mode when pulled high. Connect to ground for operating mode
12	PD1	O	Phase detector/charge pump output of data PLL(DAPLL)
13	NC		No Connected
14	PD2/VCO2		Connector of the loop filter for the SYSPLL
15	VCO1	I	Input to the voltage controlled oscillator #1 of the DAPLL
16	IREF	I	Reference current input for the on-chip analog circuit
17	CVBS	I	Composite video signal input
18	NC		No Connected
19	VDDD		Positive supply voltage for the digital circuits
20	VDDA		Positive supply voltage for the analog circuits

■ PIN ASSIGNMENTS



■ BLOCK DIAGRAM (SDA5650X)



Sound IC (MSP3407G : IC01, *MSP3417 : NICAM)

■ PIN DESCRIPTIONS

NC = not connected; leave vacant

LV = if not used, leave vacant

DVSS: if not used, connect to DVSS

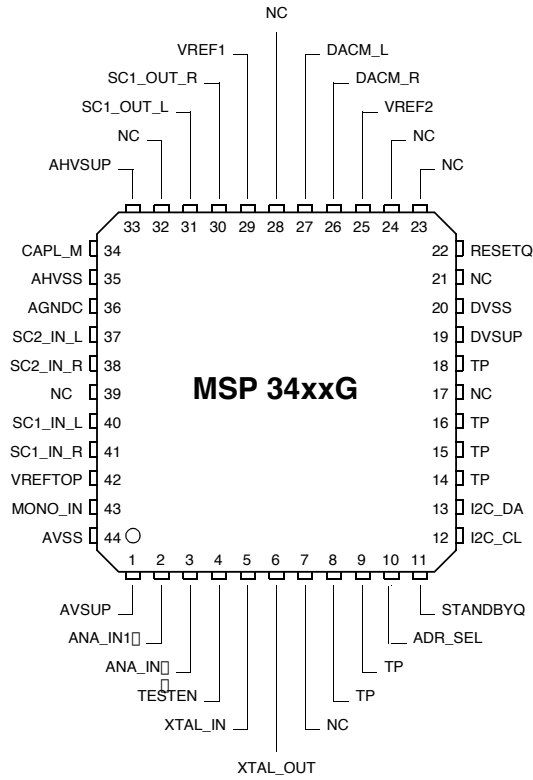
X = obligatory; connect as described in circuit diagram

AHVSS: connect to AHVSS

Pin No.	Pin Name	Type	Connection (if notused)	Short Description
1	AVSUP		X	Analog Power Supply +5V
2	ANA_IN1+	IN	LV	IF Input1
3	ANA_IN-	IN	LV	IF Common
4	TESTEN	IN	X	Test pin
5	XTAL_IN	IN	X	Crystal Osillator
6	XTAL_OUT	IN	X	Crystal Osillator
7	NC		LV	Not connected
8	TP		LV	Test Pin
9	TP		LV	Test Pin
10	ADR_SEL	IN	X	I ² C Bus Address Select
11	STANDBYQ	IN	X	Standby (low-active)
12	I2C_CL	IN/OUT	X	I ² C clock
13	I2C_DA	IN/OUT	X	I ² C data
14	TP		LV	Test Pin
15	TP		LV	Test Pin
16	TP		LV	Test Pin
17	NC		LV	Not connected
18	TP		LV	Test Pin
19	DVSUP		X	Digital Power Supply +5V
20	DVSS		X	Digital Ground
21	NC		LV	Not connected
22	RESETQ	IN	X	Power-on-reset
23	NC		LV	Not connected
24	NC		LV	Not connected
25	VREF2		X	Reference ground 2 high-voltage part

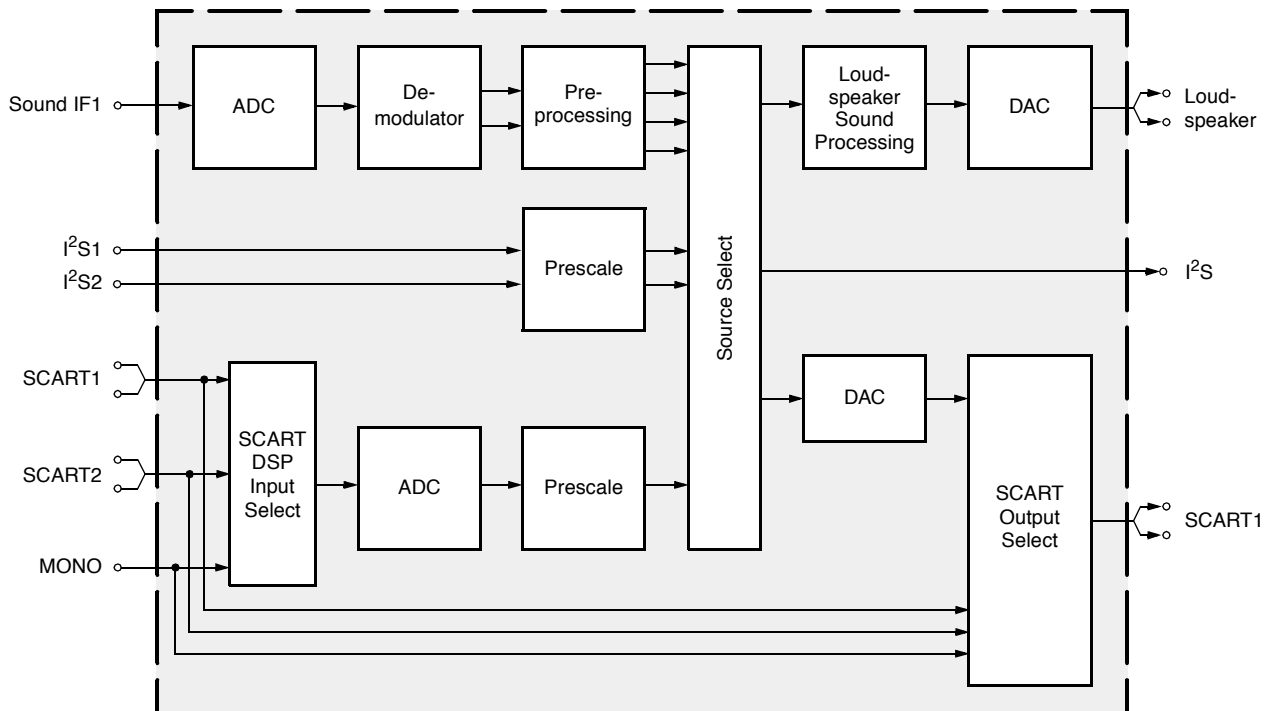
Pin No.	Pin Name	Type	Connection (if not used)	Short Description
26	DACM_R	OUT	LV	Loudspeaker out, Right
27	DACM_L	OUT	LV	Loudspeaker out, Left
28	NC		LV	Not connected
29	VREF1		X	Reference ground 1 high-voltage part
30	SC1_OUT_R	OUT	LV	SCART 1 output, Right
31	SC1_OUT_L	OUT	LV	SCART 1 output, Left
32	NC		LV	Not connected
33	AHVSUB		X	Analog power supply 8.0V
34	CAPL_M		LV	Volume capacitor MAIN
35	AHVSS		X	Analog ground
36	AGNDC		X	Analog reference voltage high-voltage part
37	SC2_IN_L	IN	LV	SCART 2 input, Left
38	SC2_IN_R	IN	LV	SCART 2 input, Right
39	NC		LV	Not connected
40	SC1_IN_L	IN	LV	SCART 1 input, Left
41	SC1_IN_R	IN	LV	SCART 1 input, Right
42	VREFTOP		X	Reference voltage IF A/D converter
43	MONO_IN	IN	LV	Mono input
44	AVSS		X	Analog ground

■ PIN ASSIGNMENTS (MSP3407G)



(Top View)

■ BLOCK DIAGRAM (MSP3407G)

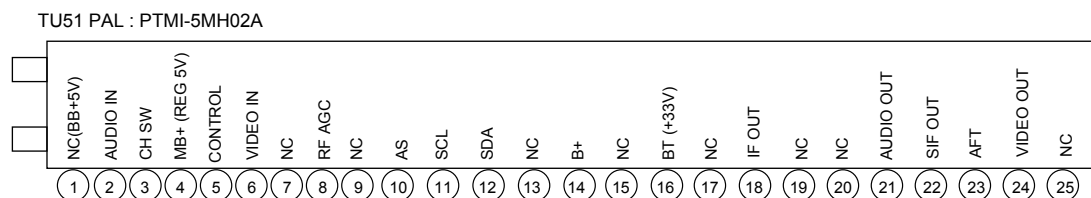


TUNER (PAL : PTMI-5MH02A : TU51)

■ Pin Function

Pin No.	Pin Name	Function
1	NC(BB +5V)	
2	AUDIO IN	Audio Input
3	CH SW	
4	MB+	REG(+5V)
5	CONTROL	VCR/TV
6	VIDEO IN	Video Input
7	NC	
8	RF AGC	
9	NC	
10	AS	
11	SCL	Clock Input
12	SDA	Data Input/Output
13	NC	
14	B+	+5V
15	NC	
16	BT	33V
17	NC	
18	IF OUT	IF Output
19	NC	
20	NC	
21	AUDIO OUT	Audio Signal Output
22	SIF OUT	Sound IF signal Output
23	AFT	AFT Output
24	VIDEO OUT	Video Signal Output
25	NC	

■ Pin Assignment

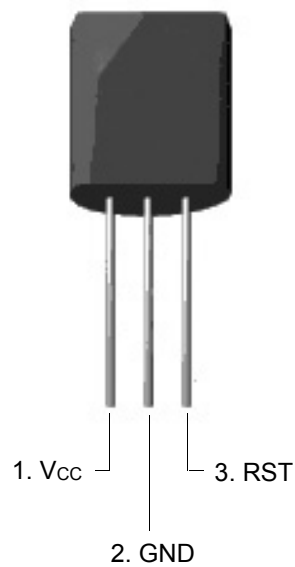


Reset IC (KA75330ZT : IC33, KA75390ZT : IC34)

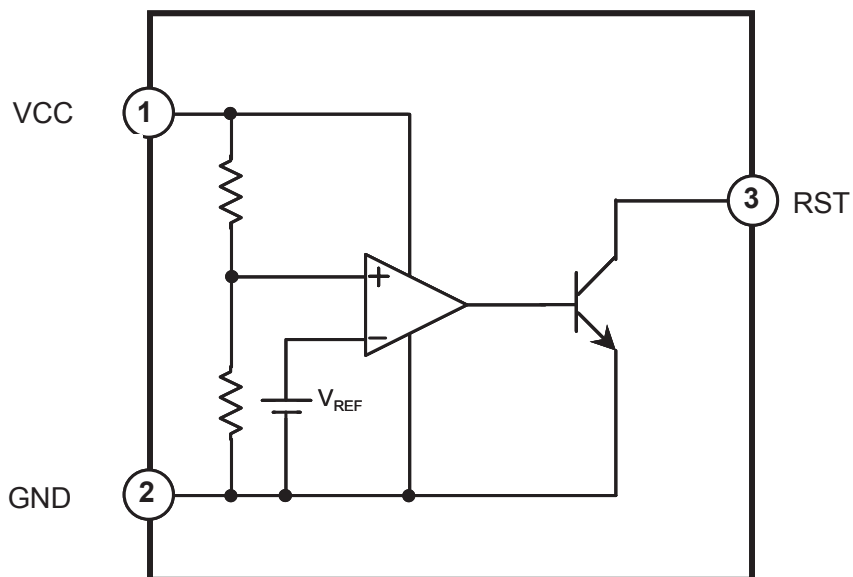
PIN DESCRIPTIONS

Pin Number	Pin Name	I/O	Pin Function Description
1	VCC	I	Input
2	GND	-	Ground
3	RST	O	Output

PIN ASSIGNMENTS



BLOCK DIAGRAM

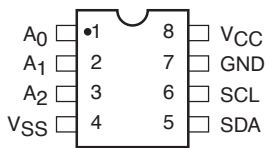


EEPROM (24WC08P : IC35)

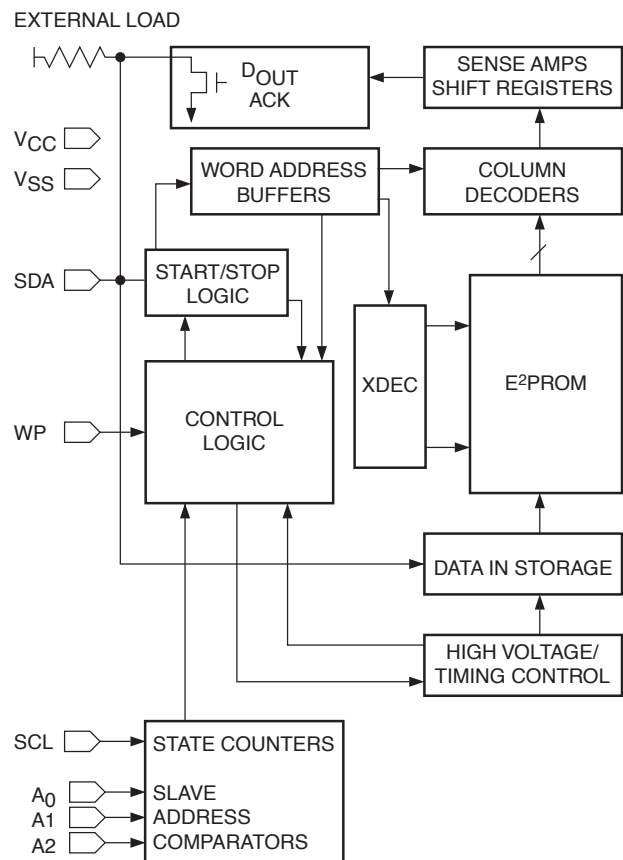
■ PIN DESCRIPTIONS

Pin No.	Pin Name	Function
1	A0	NC
2	A1	GND
3	A2	GND
4	V _{SS}	GND
5	SDA2	Serial Data/Address
6	SCL2	Serial Clock
7	GND	Write Protect
8	V _{DD}	+1.8V to +6V Power Supply

■ PIN ASSIGNMENTS



■ BLOCK DIAGRAM



IC AND TRANSISTOR VOLTAGE CHART

MEASUREMENT CONDITION

■ Function : DVD

■ Unit : V

IC52(LC75725)		
PIN NO.	DESCRIPTION	VOLTAGE
1	VFL	-28.4
2	G11	-25.1
3	G10	-25.1
4	G9	-25.1
5	G8	-25.1
6	G7	-25.1
7	G6	-25.1
8	G5	-25.2
9	G4	-25.2
10	G3	-25.2
11	G2	-25.2
12	G1	-25.2
13	VFL	-28.5
14	NC	0
15	NC	0
16	NC	0
17	NC	0
18	NC	0
19	NC	0
20	NC	0
21	NC	0
22	NC	0
23	NC	0
24	NC	0
25	NC	0
26	NC	0
27	NC	0
28	NC	0
29	NC	0
30	NC	0
31	NC	0
32	NC	0
33	NC	0
34	S1	-19
35	S2	-28.2
36	S3	-19.1
37	S4	-13.2
38	S5	-19.2
39	S6	-25.2
40	S7	-25.2
41	S8	-25.2

42	S9	0
43	S10	-22.1
44	S11	-22.1
45	S12	-28
46	S13	-28.2
47	S14	-28.2
48	S15	-28.2
49	S16	0
50	S17	-22.2
51	S18	-13.3
52	S19	-25.1
53	S20	-28.2
54	S21	-28.2
55	S22	-28.2
56	S23	-28.2
57	VSS	0
58	OSCO	2.5
59	OSCI	2.5
60	VDD	4.9
61	BLK	4.8
62	CE	1.9
63	CL	0
64	DI	1.8

IC53		
PIN NO.	DESCRIPTION	VOLTAGE
1	A OUTPUT	0
2	A -INPUT	0
3	A +INPUT	0
4	V-	-11.47
5	B +INPUT	0
6	B -INPUT	0
7	B OUTPUT	0
8	V+	11.58

IC82(KA1M0565R)		
PIN NO.	DESCRIPTION	VOLTAGE
1	GND	0
2	DRAIN	278.4
3	VCC	21.4
4	FB	1

IC81(NJM2244)		
PIN NO.	DESCRIPTION	VOLTAGE
1	VIN1	4.9
2	SW1	4.8
3	VIN2	5.5
4	SW2	0
5	VIN3	5.1
6	V+	11.9
7	VOUT	4.8
8	GND	0

IC82(NJM2244)		
PIN NO.	DESCRIPTION	VOLTAGE
1	VIN1	4.8
2	SW1	4.8
3	VIN2	5.5
4	SW2	0
5	VIN3	5.1
6	V+	11.9
7	VOUT	4.9
8	GND	0

IC98(6V REGULATOR)		
PIN NO.	DESCRIPTION	VOLTAGE
1	VIN	6.5
2	VOUT	5.9
3	GND	0
4	ON/OFF CONTROL	6.5

IC99(9V REGULATOR)		
PIN NO.	DESCRIPTION	VOLTAGE
1	INPUT	18.6
2	COMMON	4.9
3	OUTPUT	14

IC94(12V REGULATOR)		
PIN NO.	DESCRIPTION	VOLTAGE
1	VIN	13.2
2	VOUT	12
3	GND	0
4	ON/OFF CONTROL	4.1

IC95(-12V REGULATOR)		
PIN NO.	DESCRIPTION	VOLTAGE
1	GND	0
2	INPUT	-15.7
3	OUTPUT	-12

IC96(12V REGULATOR)		
PIN NO.	DESCRIPTION	VOLTAGE
1	VIN	13.2
2	VOUT	12
3	GND	0
4	ON/OFF CONTROL	13.2

IC93(3.3V REGULATOR)		
PIN NO.	DESCRIPTION	VOLTAGE
1	VIN	0.3
2	VOUT	3.3
3	GND	0
4	ON/OFF CONTROL	4.1

IC74(TC9162AF)		
PIN NO.	DESCRIPTION	VOLTAGE
1	VSS	-11.8
2	L-S1	0
3	L-S2	0
4	L-COM1	0
5	L-S3	0
6	L-S4	0
7	L-COM2	0
8	L-S5	0
9	L-S6	0
10	L-COM3	0
11	L-S7	0
12	L-COM4	0
13	ST	0
14	GND	0
15	CK	0
16	DATA	0
17	R-COM4	0
18	R-S7	0
19	R-COM3	0
20	R-S6	0
21	R-S5	0
22	R-COM2	0

23	R-S4	0
24	R-S3	0
25	R-COM1	0
26	R-S2	0
27	R-S1	0
28	VDD	12

IC72(TC9163AF)		
PIN NO.	DESCRIPTION	VOLTAGE
1	VSS	-11.9
2	L-S1	0
3	L-S2	0
4	L-S3	0
5	L-COM1	0
6	L-S4	0
7	L-S5	0
8	L-S6	0
9	L-COM2	0
10	L-S7	0
11	L-S8	0
12	L-COM3	0
13	ST	0
14	GND	0
15	CK	0
16	DATA	0
17	R-COM3	0
18	R-S8	0
19	R-S7	0
20	R-COM2	0
21	R-S6	0
22	R-S5	0
23	R-S4	0
24	R-COM1	0
25	R-S3	0
26	R-S2	0
27	R-S1	0
28	VDD	12

IC97(5V REGULATOR)		
PIN NO.	DESCRIPTION	VOLTAGE
1	VIN	5.5
2	VOUT	0.3
3	GND	0
4	ON/OFF CONTROL	4.1

IC68(TC9164AF)		
PIN NO.	DESCRIPTION	VOLTAGE
1	VSS	-11.9
2	L-S1	0
3	L-S2	0
4	L-S3	0
5	L-S4	0
6	L-COM1	0
7	L-S5	0
8	L-S6	0
9	L-COM2	0
10	L-S7	0
11	L-S8	0
12	L-COM3	0
13	ST	0
14	GND	0
15	CK	0
16	DATA	0
17	R-COM3	0
18	R-S8	0
19	R-S7	0
20	R-COM2	0
21	R-S6	0
22	R-S5	0
23	R-COM1	0
24	R-S4	0
25	R-S3	0
26	R-S2	0
27	R-S1	0
28	VDD	12

IC79(NJM2296)		
PIN NO.	DESCRIPTION	VOLTAGE
1	VOUT1	0
2	SW5	0
3	VIN5	0
4	SW3	0
5	VIN4	0
6	SW4	0
7	VIN3	0
8	V-	-5.9
9	VIN2	0
10	SW2	0
11	VOUT	0
12	GND	0

13	VIN1	0
14	SW1	0
15	VOUT	0
16	V+	5.9

IC80(NJM2296)		
PIN NO.	DESCRIPTION	VOLTAGE
1	VOUT1	0
2	SW5	0
3	VIN5	0
4	SW3	0
5	VIN4	0
6	SW4	0
7	VIN3	0
8	V-	-6
9	VIN2	0
10	SW2	0
11	VOUT	0
12	GND	0
13	VIN1	0
14	SW1	0
15	VOUT	0
16	V+	5.9

IC37(74VHC04MX)		
PIN NO.	DESCRIPTION	VOLTAGE
1	A0	1.6
2	O0	2.5
3	A1	2.5
4	O1	2.4
5	A2	0
6	NC	4.9
7	GND	0
8	NC	4.9
9	A5	0
10	O4	2.4
11	A4	2.5
12	O3	2.5
13	A3	1.6
14	VCC	4.9

IC11(4.5V RESET IC)		
PIN NO.	DESCRIPTION	VOLTAGE
1	VOUT	4.7

2	VDD	4.8
3	GND	0

IC10(2.8V RESET IC)		
PIN NO.	DESCRIPTION	VOLTAGE
1	VOUT	4.8
2	VDD	4.8
3	GND	0

IC34(NJM2580)		
PIN NO.	DESCRIPTION	VOLTAGE
1	VIN1	2.5
2	GND1	0
3	VIN2	2.5
4	GND2	0
5	VIN3	2.2
6	GND3	0
7	POWER SAVE	4.8
8	VSAG	0
9	VOUT3	2.4
10	V+3	4.8
11	VOUT2	2.5
12	V+2	4.9
13	VOUT1	2.5
14	V+1	4.9

IC35(NJM2580)		
PIN NO.	DESCRIPTION	VOLTAGE
1	VIN1	1.9
2	GND1	0
3	VIN2	1.4
4	GND2	0
5	VIN3	1
6	GND3	0
7	POWER SAVE	0
8	VSAG	0
9	VOUT3	0
10	V+3	5.1
11	VOUT2	0.5
12	V+2	5.1
13	VOUT1	0
14	V+1	5.1

IC62(NJM2068M)		
PIN NO.	DESCRIPTION	VOLTAGE
1	A OUTPUT	11.1
2	A -INPUT	11.1
3	A +INPUT	0
4	V-	11.7
5	B +INPUT	1.7
6	B -INPUT	11.1
7	B OUTPUT	11.1
8	V+	0

IC27(BA7607F)		
PIN NO.	DESCRIPTION	VOLTAGE
1	IN2a	2.1
2	CTL A	0
3	OUT a	0.6
4	GND	0
5	OUT b	0.6
6	OUT c	0
7	CTL C	0
8	IN2c	2.4
9	IN1c	2.5
10	GND	0
11	IN1b	2
12	CTLB	0
13	Vcc	4.8
14	IN2 b	2.1
15	GND	0
16	IN1a	2

IC24(HVIAK5381VT)		
PIN NO.	DESCRIPTION	VOLTAGE
1	AINR	2.2
2	AINL	2.3
3	CKS1	0
4	VCOM	2.3
5	AGND	0
6	VA	4.5
7	VD	3.2
8	DGND	0
9	SDTO	1.3
10	LRCK	1.6
11	MCLK	1.5
12	SCLK	1.6
13	PDN	4

14	DIF	3.9
15	CKS2	0
16	CKS0	0

IC29(PCM1754)		
PIN NO.	DESCRIPTION	VOLTAGE
1	BCK	0
2	DATA	0
3	LRCK	0
4	DGND	0
5	NC	0
6	VCC	5.1
7	VOU TL	2.6
8	VOU TR	2.6
9	AGND	0
10	VCOM	1.1
11	ZEROA	1.6
12	TEST	0
13	DEMP	0
14	MUTE	0
15	FMT	0
16	SCK	2.6

IC11(SDA5650)		
PIN NO.	DESCRIPTION	VOLTAGE
1	VSSA	0
2	VSSD	0
3	NC	0
4	SCL	0
5	SDA	4.9
6	CSO	0
7	VCS	0
8	NC	0
9	DAVN	0
10	EHB	0
11	TI	0
12	PD1	0
13	NC	0
14	PD2/VCO2	0
15	VCO1	0
16	IREF	1.5
17	CVBS	0
18	NC	0
19	VDDD	5
20	VDDA	5

IC01(MSP3417G)		
PIN NO.	DESCRIPTION	VOLTAGE
1	AVSUP	5
2	ANA_IN1+	0
3	ANA_IN-	0
4	TESTEN	0
5	XTAL_IN	2.3
6	XTAL_OUT	2.4
7	NC	0
8	TP	0
9	TP	0
10	ADR_SEL	0
11	STANDBYQ	4.9
12	I2C_CL	4.8
13	I2C_DA	0
14	TP	0
15	TP	0
16	TP	0
17	NC	0
18	TP	0
19	DVSUP	4.9
20	DVSS	0
21	NC	0
22	RESETQ	4.9
23	NC	0
24	NC	0
25	VREF2	0
26	DACM_R	0
27	DACM_L	0
28	NC	0
29	VREF1	0
30	SC1_OUT_R	3.9
31	SC1_OUT_L	3.8
32	NC	0
33	AHVSUB	8.2
34	CAPL_M	7.3
35	AHVSS	0
36	AGNDC	3.8
37	SC2_IN_L	0
38	SC2_IN_R	0
39	NC	0
40	SC1_IN_L	0
41	SC1_IN_R	2.7
42	VREFTOP	0
43	MONO_IN	0
44	AVSS	0

IC92(TDA9605H)		
PIN NO.	DESCRIPTION	VOLTAGE
1	SAP	0
2	TUNL	3.9
3	TUNR	3.9
4	CINL	0
5	CINR	0
6	EXT1L	3.9
7	EXT1R	3.9
8	EXT2L	0
9	EXT2R	3.9
10	AUXL	0
11	AUXR	0
12	RFCAGC	0
13	RFCOUT	3.9
14	MUTEC	0
15	MUTEL	0
16	LINEL	0
17	LINER	0
18	MUTER	0
19	DECL	4.4
20	DECR	4.4
21	LINOUT	0
22	LININ	0
23	DCFBL	3.9
24	EMPHL	3.9
25	DCL	3.9
26	DETL	0.7
27	GND	0
28	IREF	3.9
29	VREF	3.9
30	DETR	0.7
31	OCR	3.9
32	EMPHR	3.9
33	DCFBR	3.9
34	VCC	8.9
35	PBIN2	0.7
36	RECOU	0.7
37	PBIN1	0.7
38	HMSW	0
39	GNDH	0
40	VCCH	4.9
41	RMHID	0.9
42	SDA	4.9
43	SCL	4.9
44	ENVOUT	3.5

IC31(M37760)		
PIN NO.	DESCRIPTION	VOLTAGE
1	P11/AN8	0
2	P77/AN7	4
3	P76/AN6	0
4	P75/AN5	4.8
5	P74/AN4	1.7
6	P73/AN3	0
7	P72/AN2	4.5
8	P71/AN1	2.1
9	P70/AN0	2
10	P67/AN10	1.5
11	P66/RTP11	2.4
12	P65/RTP10	0
13	P64/RTP03	0
14	P63/RTP02	4.8
15	P62/EXOR OUT1	5
16	P62/EXOR OUT0	4.8
17	P60/EXOR IN	4.8
18	P57/RTP01	5
19	P57/RTP00	5
20	P55/RTP25	0
21	P54/RTP24	0
22	P53/RTP23	0
23	P52/RTP22	5
24	P51/RTP21	0
25	P50/RTP20	0
26	P47	5
27	P46	5
28	P45	5
29	P44	5
30	P43	5
31	P42	5
32	P41	5
33	P40	0
34	RESET(L)	5
35	P31/XCIN	1.8
36	P30/XCOUT	3
37	VCC	4.8
38	XIN	3
39	X OUT	4
40	GND	0
41	P22/OSC IN3	3
42	P21/ OSC OUT3	4
43	CLKSEL	0
44	P20/OSC	0
45	P20/OSC OUT2	5

46	NUR	0
47	P16/LP	1.7
48	P15/FSC IN	0
49	OSDVSS	0
50	P14/CVIN	3
51	P13/LGCHA	3
52	P14/CVOUT	3
53	OSDVCC	5
54	P11/HLF	2
55	P10/V_HOLD	0
56	P07/CVIN	3
57	NUA	0
58	P06/H-SYNC	4
59	P05/V-SYNC	0
60	P04/OUT1	0
61	P03/OUT2	0
62	P02/B	0
63	P02/G	0
64	P00/R	0
65	P107/SOUT1	0
66	P106/SIN1	5
67	P105/SCLK1	0
68	P104/SOUT	5
69		0
70	P102/CLK 0B	5
71	P101/CLK 0A	5
72	P100/SDA	5
73	P97/T5	5
74	P96	5
75	P95	1
76	P94/PWM1	5
77	P93/PWM0	5
78	P92/INT0	0
79	P91/RLS	0~5
80	P91/RLT	0~5
81	P87	2.5
82	P86	0
83	P85	0
84	P84	5
85	P106	0
86	P82	0
87	C.FG	3.6
88	AMP VSS	0
89	P81	0
90	PDRPGIN	4.8
91	AMP REF OUT	2.5
92	AMP REF IN	2.5

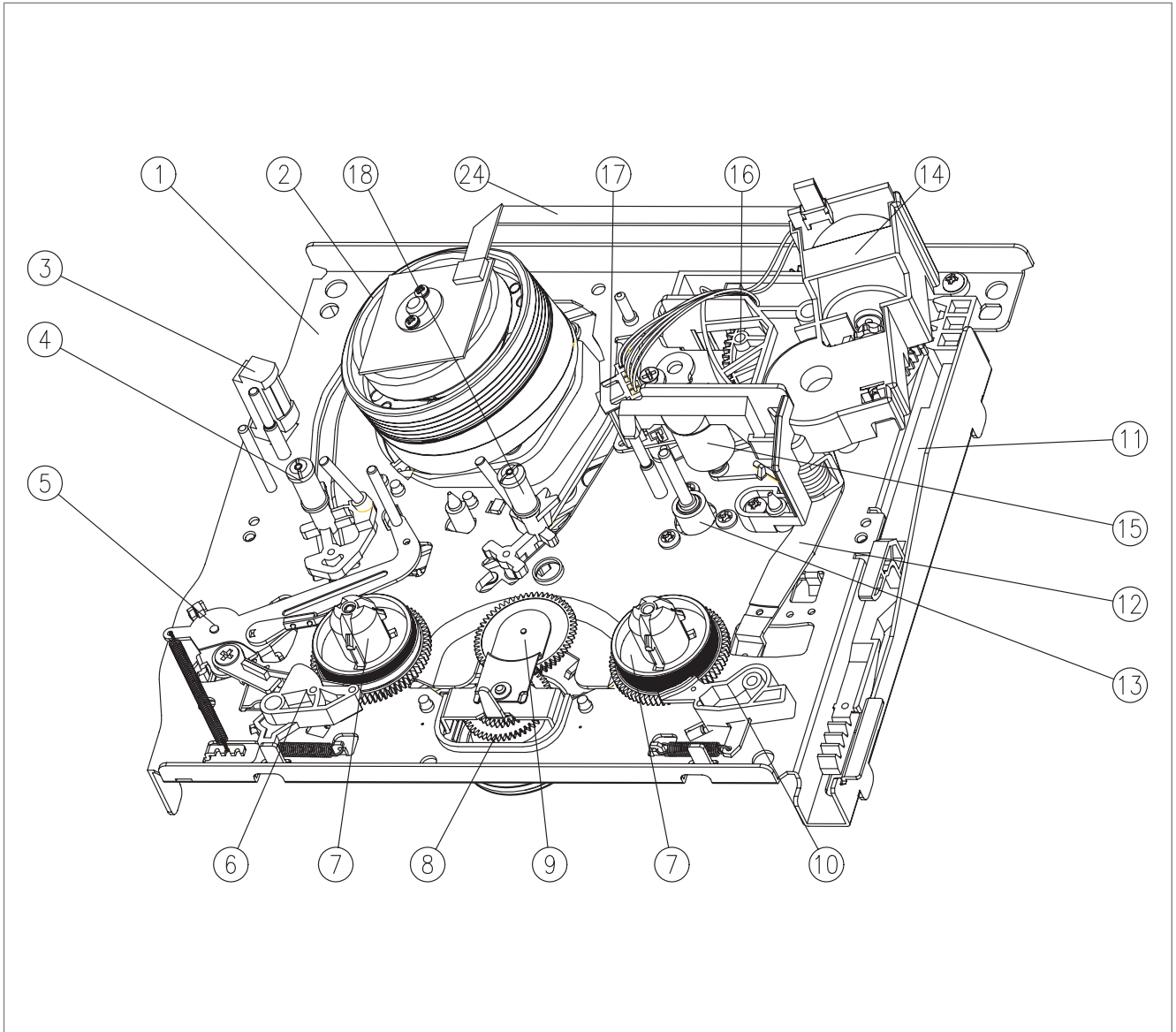
93	P80	0
94	CTL-	2.5
95	CTL+	2.5
96	AMPC	2.5
97	CTL AMP	4.5
98	AMP VCC	5
99	A. VCC	5
100	GND	0

TRANSISTOR VOLTAGE CHART

REF.NO	E	C	B
Q101	0	0	0
Q102	0	1.6	0
Q103	0	0	0
Q105	0	2.6	0
Q141	0	0	0
Q142	4.3	4.2	0
Q143	3.9	3.8	0
Q144	0	0	0
Q145	4.3	4.2	0
Q146	0	1.6	0
Q161	0	-3.6	0
Q162	0	0	4.1
Q163	0	4.1	0
Q310	0	5.1	0
Q560	4.9	4.9	0
Q561	4.9	0	4.9
Q881	2.6	0	1.9
Q882	2.6	0	1.9

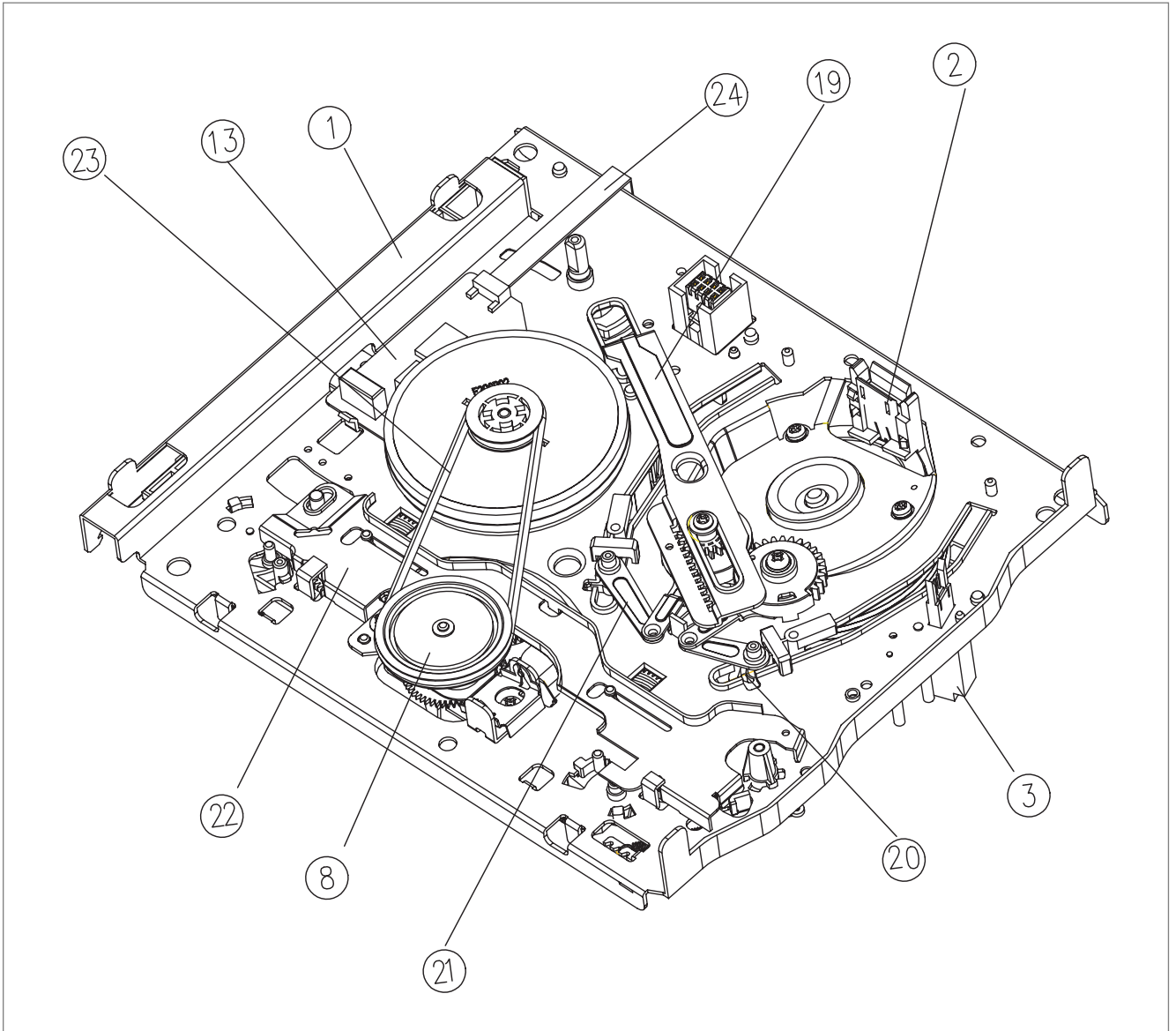
T-6 (VCR MECHANISM) ASSEMBLING DIAGRAM

A. TOP VIEW



- | | | |
|-------------------------|----------------------------|-----------------------|
| 1 MAINBASE ASS'Y | 9 IDLER PLATE TOTAL ASS'Y | 17 AC HEAD ASS'Y |
| 2 DRUM ASS'Y | 10 T BRAKE ASS'Y | 18 T SLANT POLE ASS'Y |
| 3 FE HEAD | 11 FL RACK | 24 CABLE FFC |
| 4 S SLANT POLE ASS'Y | 12 RELAY LEVER | |
| 5 TENSION BAND ASS'Y | 13 CAPSTAN MOTOR | |
| 6 S BRAKE ASS'Y | 14 LC BRKT ASS'Y | |
| 7 REEL TABLE | 15 PINCH LEVER TOTAL ASS'Y | |
| 8 REEL BRKT TOTAL ASS'Y | 16 CAM GEAR | |

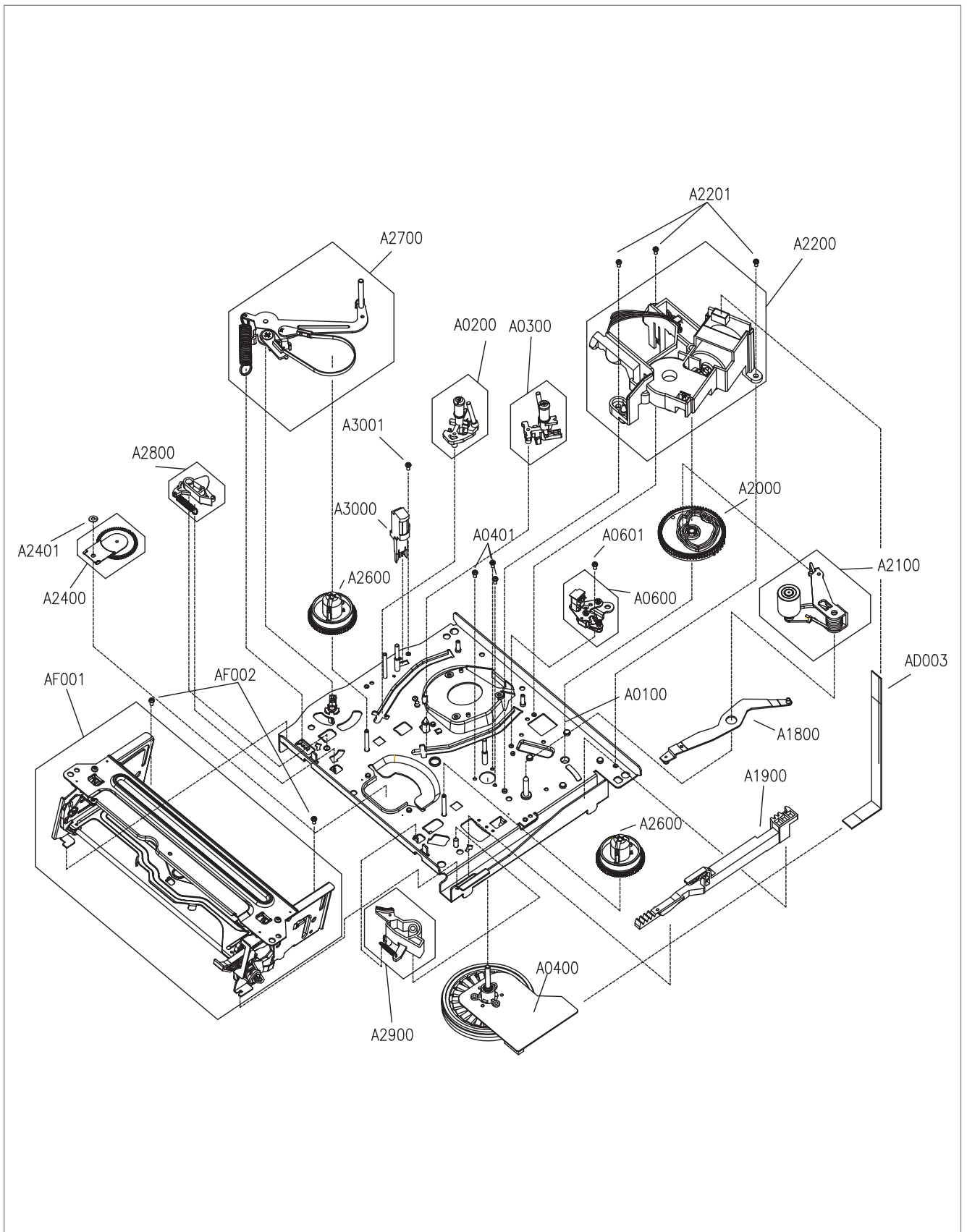
B. BOTTOM VIEW



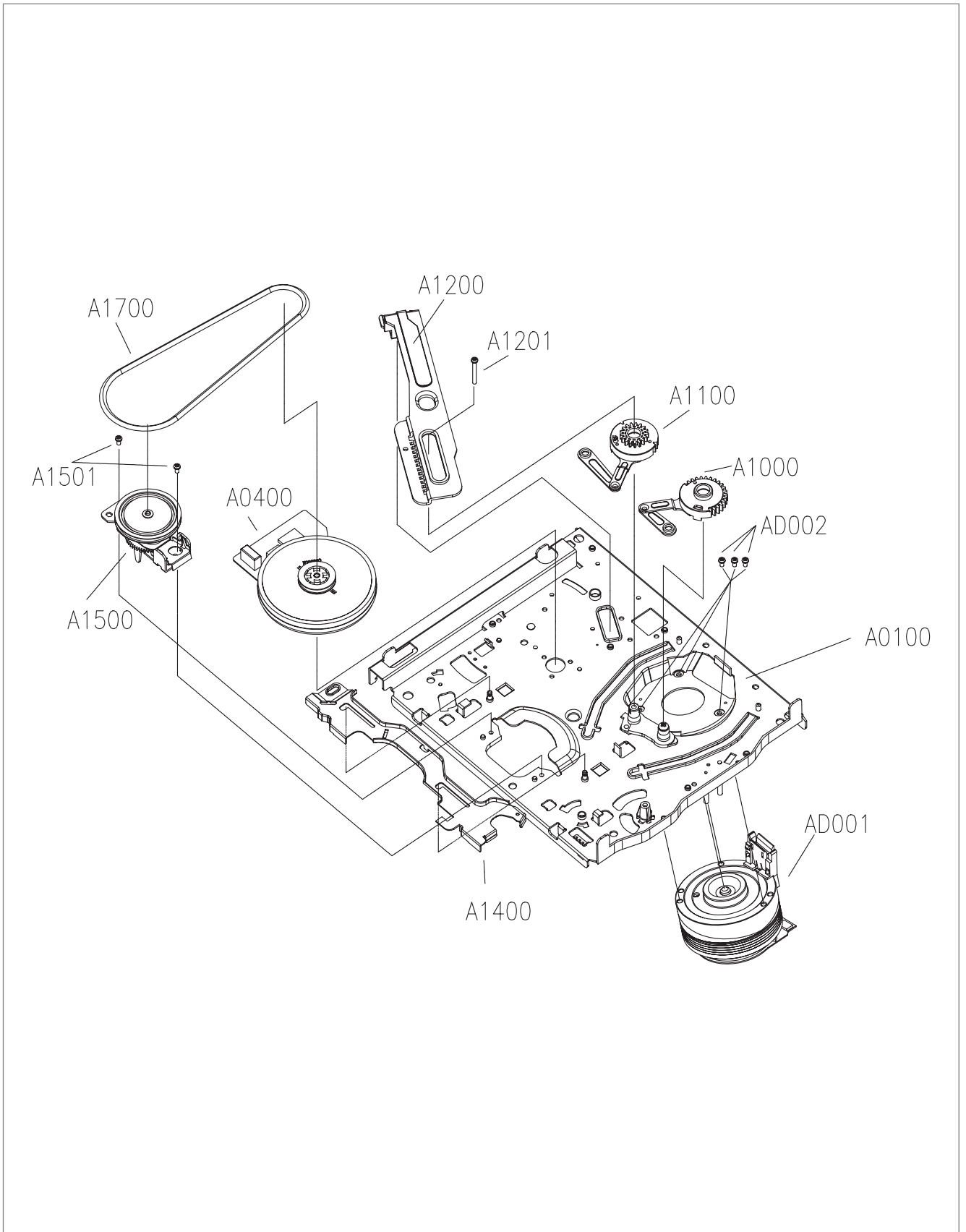
- 19 LOADING RACK
- 20 L LOADING ASS'Y
- 21 R LOADING ASS'Y
- 22 CONNECT PLATE
- 23 REEL BELT
- 24 CABLE FFC

T-6 (VCR MECHANISM) EXPLODED VIEW

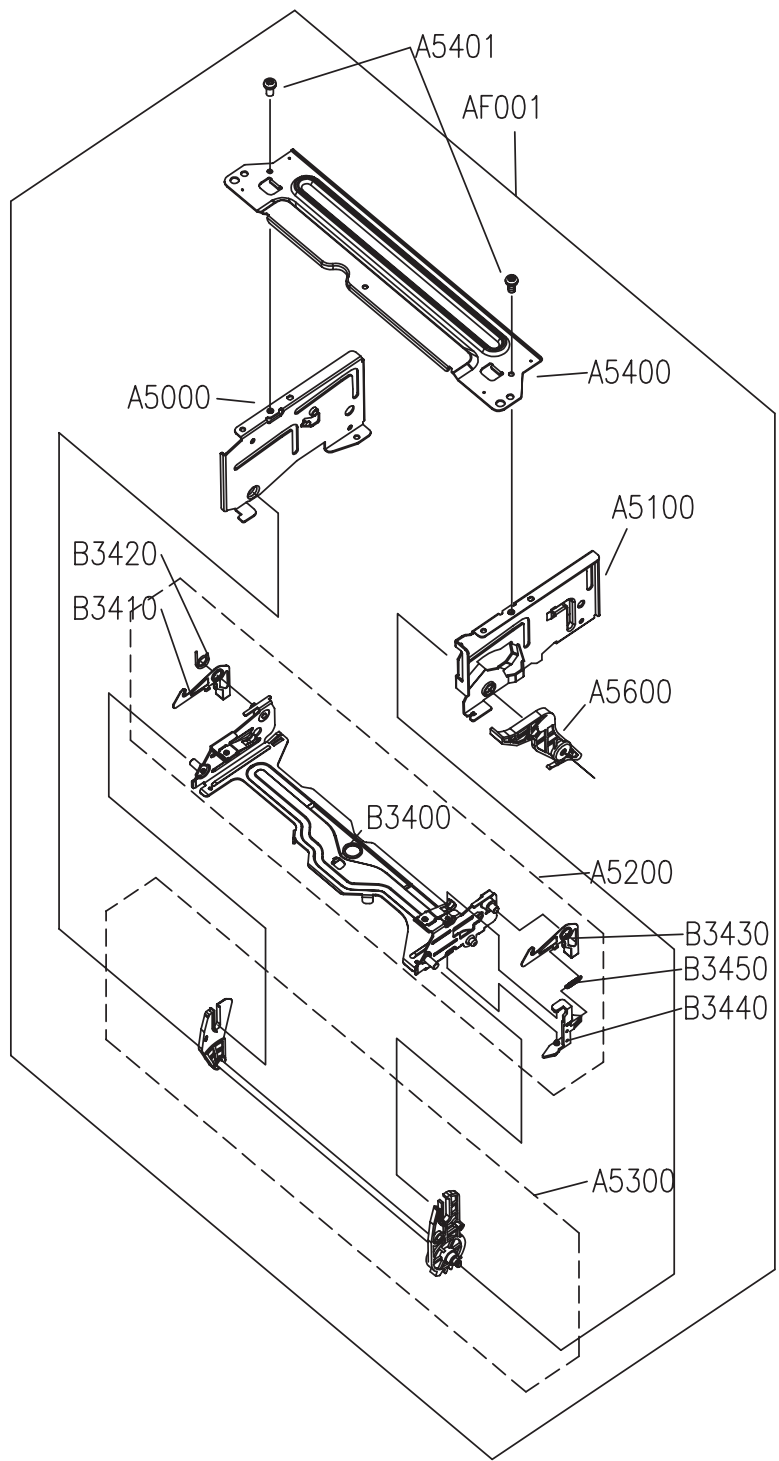
A. TOP VIEW



B. BOTTOM VIEW

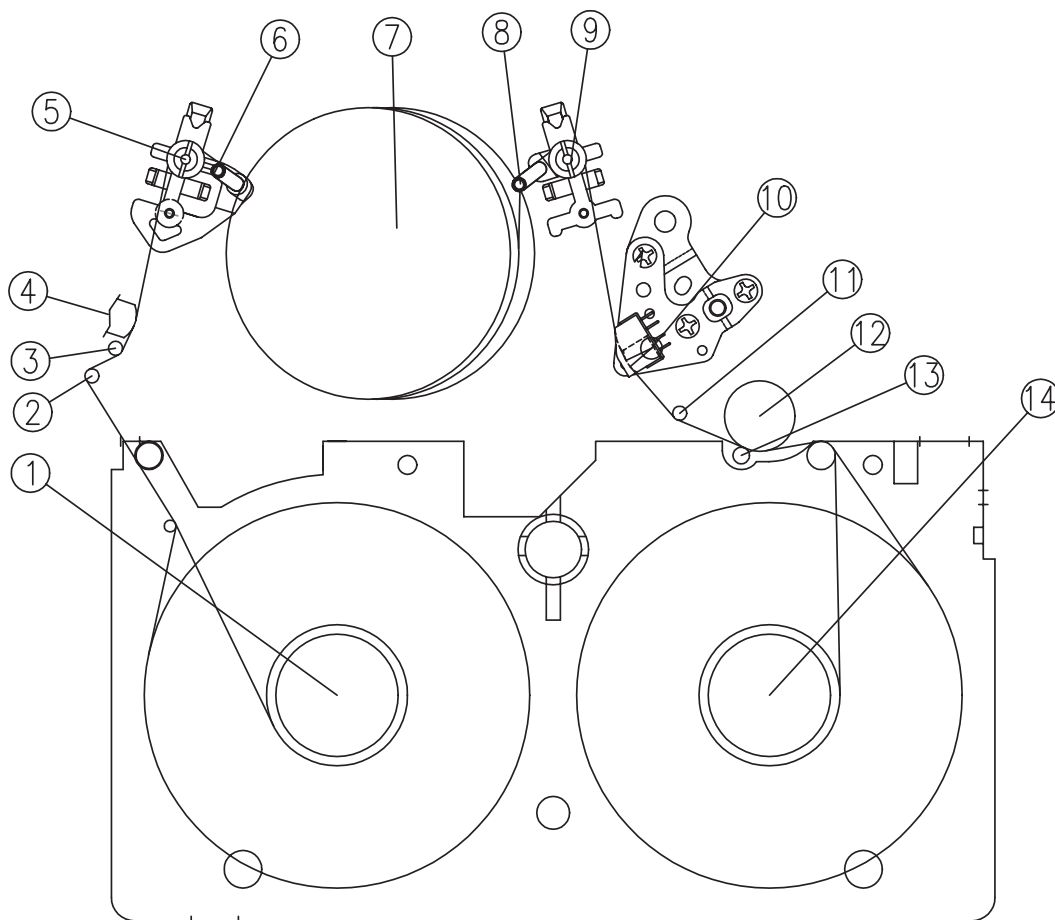


T-6 (VCR MECHANISM) EXPLODED VIEW OF FL ASS'Y



ADJUSTMENT OF THE TAPE TRANSPORT SECTION.

Generally, tape transporting section has been precisely adjusted in the factory and does not require the ordinary readjustment. But there is the case that tape noise or impact on the deck mechanism, tape transporting section readjustment is required. In adjustment of the tape transmission section refer to the following flow chart.



NO.	NAME	NO.	NAME
1	S REEL	8	T SLANT POLE
2	TENSION POLE	9	T GUIDE ROLLER
3	S GUIDE POST	10	ACE HEAD
4	FE HEAD	11	T GUIDE POST
5	S GUIDE ROLLER	12	PINCH ROLLER
6	S SLANT POLE	13	CAPSTAN SHAFT
7	DRUM	14	T REEL

Fig.1 A schematic diagram of the tape transporting section.

If any components shown in Fig. 1 are changed, readjustment of the tape transporting section is needed.

A. Adjustment of the S/T GUIDE ROLLER

- Check the Playing back with a T-120 TAPE.
- Make sure that excessive tape wrinkle does not occur at the S/T GUIDE ROLLER.
- If tape wrinkle is observed at the S/T GUIDE ROLLER, turn the guide roller screw until there is no tape wrinkle.

B. Adjustment of the AC HEAD ASS'Y (TILT)

- Play back a T-120 TAPE and check the running status of the lower side of the GUIDE POST.

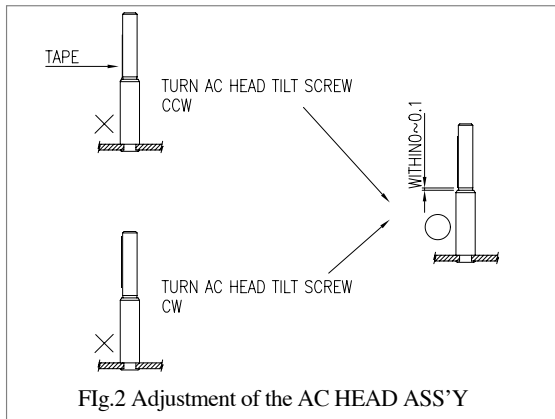


Fig.2 Adjustment of the AC HEAD ASS'Y

- If there is any problem, turn the AC HEAD TILT SCREW until the running status is improved (Fig. 2).

C. Adjustment of the AC HEAD Height (Fig. 3)

- Play back a T-120 TAPE.
- Make sure that the gap between the lower end of the TAPE and the AC head is 0.25mm.

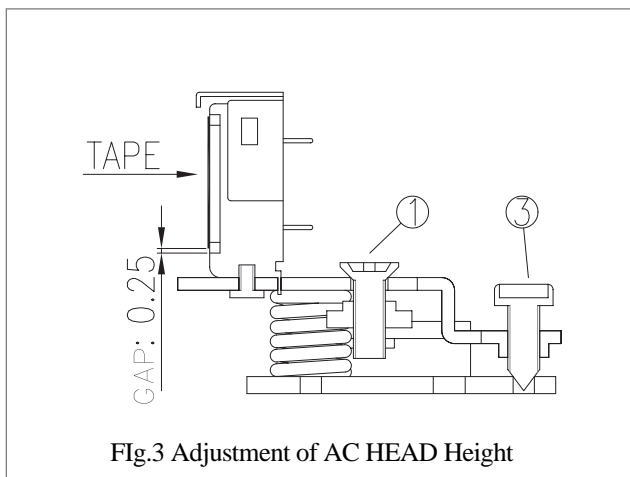
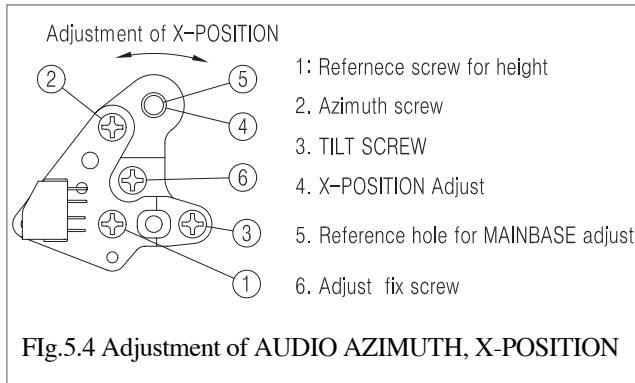


Fig.3 Adjustment of AC HEAD Height

- If the measurement of the gap is different from the reference value 0.25mm, turn the screw ①, ③ until the desired gap is obtained.

D. Adjustment of the AUDIO AZIMUTH (Fig. 4)

- Play back the ALIGNMENT TAPE (DN2 : SP, NTSC, 7KHz)
- Check the AUDIO output with a AUDIO LEVEL METER.
- Turn the AC HEAD AZIMUTH SCREW ② until the maximum AUDIO output (-9dBm ~ -3dBm) is obtained



E. Adjustment of the X-POSITION (Fig.4)

- Connect the PATH ADJ. FIXTURE to the PT01 on the MAIN CIRCUIT BOARD.
 - Play back the ALIGNMENT TAPE (DN2: SP MONO-SCOPE).
 - Connect the S/W pin and ENVE pin of the PATH ADJ. FIXTURE with the SCOPE PROBE.
 - Insert the adjustment bar in the AC HEAD ADJUST hole ④ and adjust the X-POSITION of the AC HEAD ASS'Y until the ENVE is maximum when the VR is on the CENTER.
- There is the possibility that another TRACKING CENTER can occur when the AC HEAD ASS'Y turned completely in the counterclockwise direction, Hence adjust the X-POSITION with AC HEAD ASS'Y adhering closely to the right side until the maximum ENVE is obtained.
- The adjustment of the X-POSITION finished, check if the AUDIO LEVEL is degraded, then readjustment of the AUDIO AZIMUTH is required.

Test Point	S/W PULSE TEST PIN	PATH ADJ. FIXTURE
	ENVELOPE TEST PIN	PATH ADJ.FIXTURE
Measurement Equipment	OSILLOSCOPE	
Adjustment	VR CONTROL	PATH ADJ.FIXTURE
	AC HEAD ADJUST HOLE	ADJUSTMENT BAR